

Multiple Sound Siren PSE04



The PSE04 is a wireless siren, based on Z-Wave™ technology. It is the Z-Wave™ plus product, it support the security, OTA... Those newest features of the Z-Wave™ technology. Z-Wave™ is a wireless communication protocol designed for home automation, specifically to remotely control applications in residential and light commercial environments. The technology uses a low-power RF radio embedded or retrofitted into home electronics devices and systems, such as lighting, home access control, entertainment systems and household appliances.

This product can be included and operated in any Z-Wave™ network with other Z-Wave™ certified devices from other manufacturers and/or

other applications. All non-battery operated nodes within the network will act as repeaters regardless of vendor to increase reliability of the network.

The device adopt the Z-Wave™ 700 series chip, when your Z-Wave™ network system is all made by Z-Wave™ 700 series devices. The network system will have the advantages as below.

- Concurrent multi-channel support reduces external interference.
- Better RF range, improve about 10 meters in indoor.
- Support 100 Kbps transmit speed, speed up communication.

Specification

Rating	6VDC (AA Battery *4)
RF distance	Min. 40M indoor, 100M outdoor line of sight,
RF Frequency	868.40 MHz, 869.85 MHz(EU) 908.40 MHz, 916.00 MHz(US) 920.9MHz, 921.7MHz, 923.1MHz (TW/KR/Thai/SG) 921.40 MHz, 919.80 MHz(ANZ) 869.00 MHz(RU) 865.20 MHz(IN) 916.00 MHz(IL)
RF Maximum Power	+10dBm (Peak), -10dBm (Average)
Dimension	170mm(L) X 48mm (W) X 30(H)
Weight	205g
IP classification	IP44; Outdoor use
Operation temperature	-20 to 55° C
Humidity	85%RH max
FCC ID	RHHPSE04
Marking	CE/NCC

❖ Specifications are subject to change and improvement without notice.

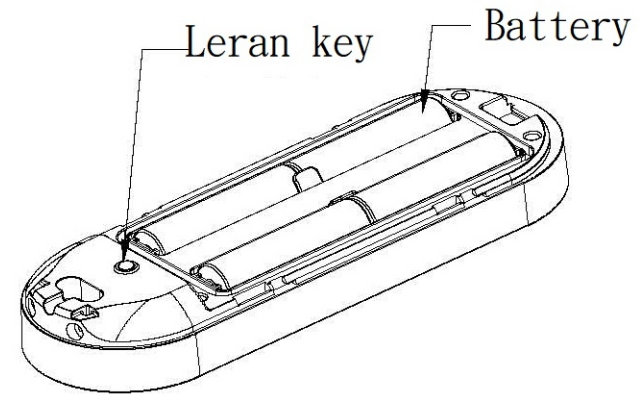
Troubleshooting

Symptom	Cause of Failure	Recommendation
The device can not join to Z-Wave™ network	The device may in a Z-Wave™ network.	Exclude the device then include again.

For Instruction to [http:// www.philio-tech.com](http://www.philio-tech.com)



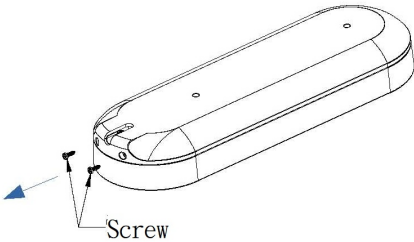
Overview



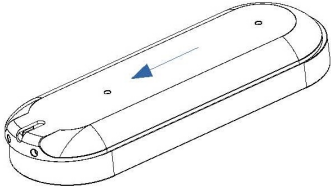
Battery Installation

When the device report the low battery message. The user should replace the battery to new one. The battery type is AA, 1.5V
Please loosen the screw on the back cover to release the front cover

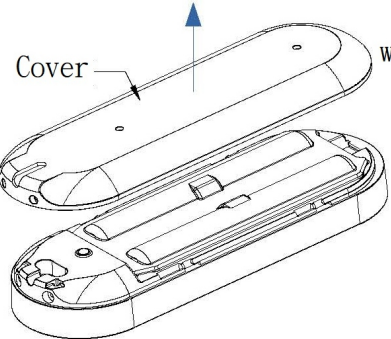
STEP 1



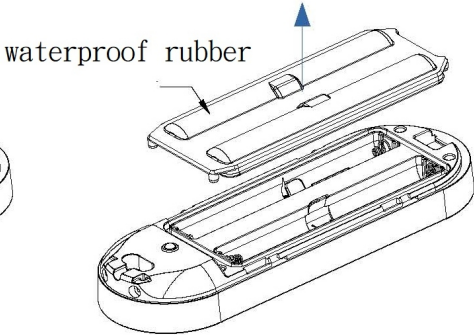
STEP 2



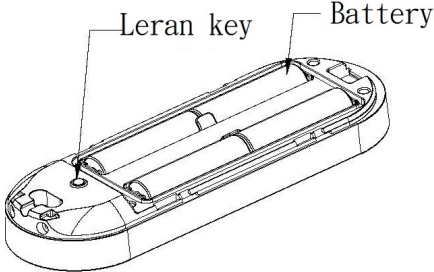
STEP 3



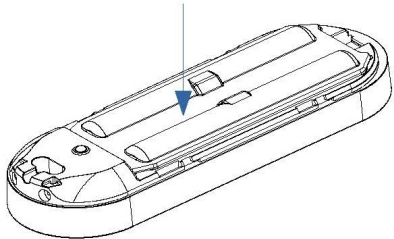
STEP 4



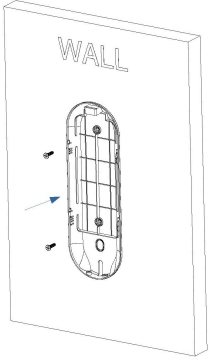
STEP 5



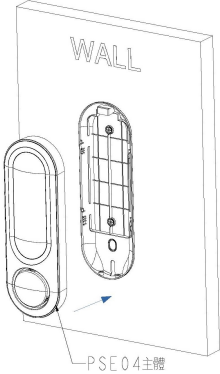
STEP 6



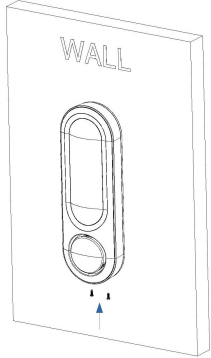
STEP 7



STEP 8



STEP 9



Adding to Z-Wave™ Network

There is one tamper key on the device. The tamper key can add, remove, reset from Z-Wave™ network.

In the first time, add the device into the Z-Wave™ network. First, make sure the primary controller is in the add mode. And then power on the device. The device will auto start the smartstart Inclusion mode.

Notice: Including a node ID allocated by Z-Wave™ Controller means “**Add**” or “**Inclusion**”. Excluding a node ID allocated by Z-Wave™ Controller means “**Remove**” or “**Exclusion**”.

Function	Description
Add	<ol style="list-style-type: none"> 1. Have Z-Wave™ Controller entered inclusion mode. 2. Pressing tamper key three times within 1.5 seconds to enter the inclusion mode. 3. After add successful, the LED will light ON 1 second
Remove	<ol style="list-style-type: none"> 1. Have Z-Wave™ Controller entered exclusion mode. 2. Pressing tamper key three times within 1.5 seconds to enter the exclusion mode. Node ID has been excluded.
Reset	<p><i>Notice: Use this procedure only in the event that the primary controller is lost or otherwise inoperable.</i></p> <ol style="list-style-type: none"> 1. Pressing tamper key four times within 1.5 seconds and do not release the tamper key in the 4th pressed, and the LED will light ON. 2. After 3 seconds the LED will turn OFF, after that within 2 seconds, release the tamper key. If successful, the LED will light ON one second. Otherwise, the LED will flash once. 3. IDs are excluded and all settings will reset to factory default.

SmartStart	<ol style="list-style-type: none"> 1. Product has a DSK string , you can key in first five digit to increment SmartStart process,or you can scan QR code. Ex:mysdk 10209-46687-52248-13629-04783-07465-15776-56519 2. SmartStart enabled products can be added into a Z-Wave network by scanning the Z-Wave QR Code present on the product providing SmartStart inclusion. No further action is required and the SmartStart product will be added automatically within 10 minutes of minutes On in the network vicinity. *notice1:The QR code can be found on the device PSE04 or on the box.
Association	<p>This machine provides one groups of nodes. Each group can set 1 Nodes.</p> <p>Group 1: Used for returned events. Report type: <ol style="list-style-type: none"> 1.Notification report 2.Sensor multilevel report 3.Device Reset Locally Notification 4.Battery Report 5.Indicator Report </p> <ul style="list-style-type: none"> • Failed or success in including/excluding the node ID can be viewed from Z-Wave™ Controller.

Notice 1: Always RESET a Z-Wave™ device before trying to add it to a Z-Wave™ network.

Z-Wave™ Message Report

In default the device will using Notification Report to represent the tamper trigger event.

* Tamper Report:

When the tamper key is pressed over 5 seconds. The device will into the alarm state. In that state, if the tamper key be released, the device will unsolicited to send the report to the nodes in the group 1.

Notification Report (V8)

Notification Type: Home Security (0x07)

Event: Tampering. Product covering removed (0x03)

* Siren State Report:

When the siren start playing or stop the alarm sounds, the device will unsolicited to send the "Notification Report" to the nodes in the group 1.

Notification Report (V8)

Notification Type: Siren (0x0E)

Event: Siren active (0x01) , Siren idle (0x00)

*Temperature Report:

When the temperature differential over, the device will unsolicited to send the "Sensor Multilevel Report" to the nodes in the lifeline group.
Sensor Type: Temperature (0x01)

*** Temperature differential report ***

This function default is disable, to enable this function by setting the configuration NO.5 is greater than 0.

In the default, is disable temperature differential report.

If setting the configuration NO.5 to 1, when the temperature is changed to plus or minus one degree Fahrenheit (0.56 degree Celsius),

the device will report temperature information to the nodes in the lifeline group.

The device will measure the temperature in every 10 seconds. And if the temperature is over 140 degree Fahrenheit (60 degree Celsius), the device will always report in each measurement.

Notice 1: The PSE04 must stay awake for at least 2 seconds after communicating, so therefore the more communication, the power consumption fast, please pay attention to use configuration NO.5.

Notice 2: This product cannot reflect outdoor temperature immediately because of the temperature sensor equipped inside rather than surface.

Power Up Procedure

Play Sound

Using the SWITCH_BINARY_SET or BASIC_SET to play the siren, Basic Set or Switch Binary Set with Value 0xFF, the Sound ID will be the same as the value which was set in Configuration No.7, 0x00 will stop to play.

Basic Set (V1)

Value	Sound
0x00	Stop Play
0x01	Fire
0x02	Ambulance
0x03	Police
0x04	Alarm
0x05	Ding Dong
0x06	Beep
0xFF	Same as configuration NO.7 setting.

Switch Binary Set (V1)

Value	Sound
0x00	Stop Play
0xFF	Same as configuration NO.7 setting.

Over The Air (OTA) Firmware Update

The device is supported with Z-Wave™ firmware update via OTA.

1. Set the Z-Wave™ Controller into the firmware update mode.
2. Choose the hex file to update the firmware.
3. Wait 10~15 minutes for completing the OTA process.
4. Result of OTA will show in Z-Wave™ Controller log.

During the OTA process, please DO NOT remove the power, otherwise, the firmware will be broken, and the device will be nonfunctional.

Z-Wave Configuration Settings

Notice 1: All of the configuration, the data size is 1.

Notice 2: The reserve bit or not supported bit is allowed any value, but no effect.

Notice 3: The PSE04 must stay awake for at least 2 seconds after communicating, so therefore the more communication, the power consumption fast, please pay attention to use configuration NO.1, NO.4, NO.5, NO.6.

NO.	Name	Def.	Valid	Description
1	Auto Report Tick Interval	0x1E	0~255	The interval time for auto report each tick.
2	Sound	0x06	0~127	Play sound duration, 1 tick is 30

	Duration			seconds.
3	Customer Function	0x00	All	Customer function switch, using bit control.
		0	<input checked="" type="checkbox"/>	Bit0: Disable Trigger Alarm. 0:Enable , 1:Disable.
		0	<input checked="" type="checkbox"/>	Bit1: Disable Sound. Only using optical alarm. 0:Enable , 1:Disable.
		0	<input checked="" type="checkbox"/>	Bit2: Temperature Unit. 0:Fahrenheit , 1:Celsius.
		0	<input type="checkbox"/>	Bit3: Reserve.
		0	<input type="checkbox"/>	Bit4: Reserve.
		0	<input type="checkbox"/>	Bit5: Reserve.
		0	<input type="checkbox"/>	Bit6: Reserve.
0	<input type="checkbox"/>	Bit7: Reserve.		
4	Auto Report Temperature Time	0x0C	0~127	The interval time for auto report the temperature.
5	Temperature Differential Report	0x00	0~127	The temperature differential to report.
6	Auto Report Battery Time	0x0C	0~127	The interval time for auto report the battery level.
7	Play Sound Control	0x41	All	Control play sound's level and which sound.
		1	<input checked="" type="checkbox"/>	Bit0~1: Play sound's level. Level 1~3.
		0	<input type="checkbox"/>	Bit2: Reserve.

		0	<input type="checkbox"/>	Bit3: Reserve.
		4	<input checked="" type="checkbox"/>	Bit4~7: Which sound id will play, when control form controller. Sound ID 1~6, 0: Disable.

Configuration	4	Highest granted Security Class
Sensor Multilevel	11	Highest granted Security Class
Basic	1	Highest granted Security Class
Switch Binary	1	Highest granted Security Class
Notification	8	Highest granted Security Class
Battery	1	Highest granted Security Class

Z-Wave Supported Command Class

Command Class	Version	Required Security Class
Z-Wave Plus™ Info	2	None
Security	1	None
Security 2	1	None
Supervision	1	None
Transport Service	2	None
Association	2	Highest granted Security Class
Association Group Information	3	Highest granted Security Class
Device Reset Locally	1	Highest granted Security Class
Firmware Update Meta Data	5	Highest granted Security Class
Indicator	3	Highest granted Security Class
Manufacturer Specific	2	Highest granted Security Class
Multi-Channel Association	3	Highest granted Security Class
Powerlevel	1	Highest granted Security Class
Version	3	Highest granted Security Class

CAUTION

Risk of explosion if battery is replaced by an incorrect type. Dispose of used battery according to the instructions.

Choosing a Suitable Location

1. The suitable ambient temperature for the module/device is 0°C~40°C.
2. Do NOT place the module/device direct under sunlight, in a humid place or in any location where they may contact moisture, dirt, dust.
3. Do NOT place the module/device where exists combustible substances or any source of heat, fires, radiators, boiler etc.

Disposal



This marking indicates that this product should not be disposed with other household wastes throughout the EU. To prevent possible harm to the environment or human health from uncontrolled waste disposal, recycle it responsibly to promote the sustainable reuse of material resources. To return your used device, please use the return and collection systems or contact the retailer where the product was purchased. They can take this product for environmentally safe recycling.

Philio Technology Corporation
8F., No.653-2, Zhongzheng Rd., Xinzhuang Dist., New Taipei City 24257,
Taiwan(R.O.C)
www.philio-tech.com

This transmitter must not be co-located or operating in conjunction with any other antenna or transmitter.

FCC Interference Statement

This equipment has been tested and found to comply with the limits for a Class B digital device, pursuant to Part 15 of the FCC Rules.

These limits are designed to provide reasonable protection against harmful interference in a residential installation.

This equipment generates, uses, and can radiate radio frequency energy and, if not installed and used in accordance with the instructions, may cause harmful interference to radio communications.

However, there is no guarantee that interference will not occur in a particular installation.

If this equipment does cause harmful interference to radio or television reception, which can be determined by turning the equipment off and on, the user is encouraged to try to correct the interference by one of the following measures:

- Reorient or relocate the receiving antenna.
- Increase the separation between the equipment and receiver.
- Connect the equipment into an outlet on a circuit different from that to which the receiver is connected.
- Consult the dealer or an experienced radio/TV technician for help.

This device complies with Part 15 of the FCC Rules. Operation is subject to the following two conditions:

1. This device may not cause harmful interference, and
2. This device must accept any interference received, including interference that may cause undesired operation.

FCC Caution: Any changes or modifications not expressly approved by the party responsible for compliance could void the user's authority to operate this equipment.