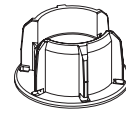
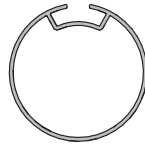
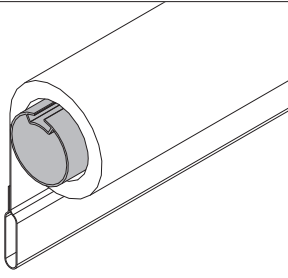


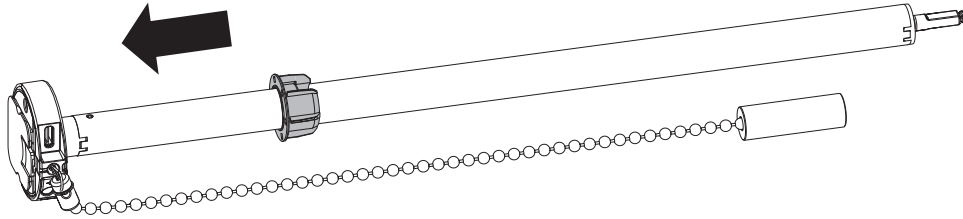
MN220012_20220809

A

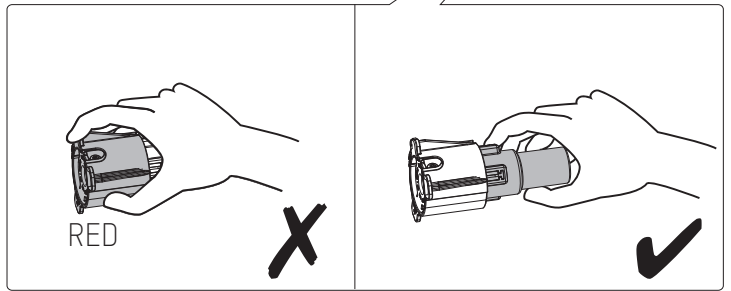
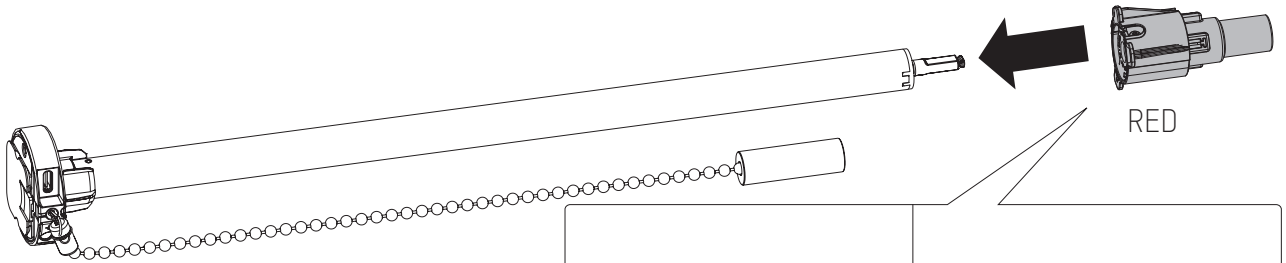


1A

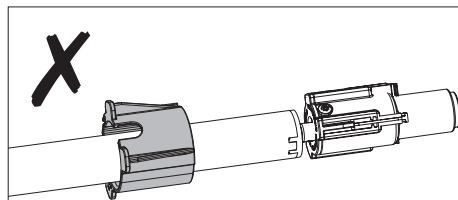
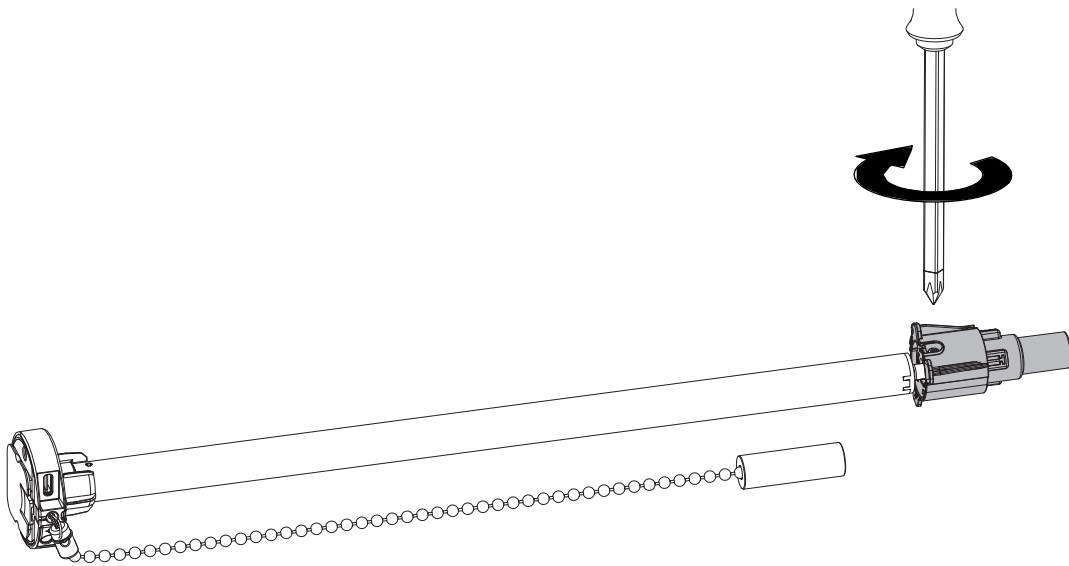
1



2



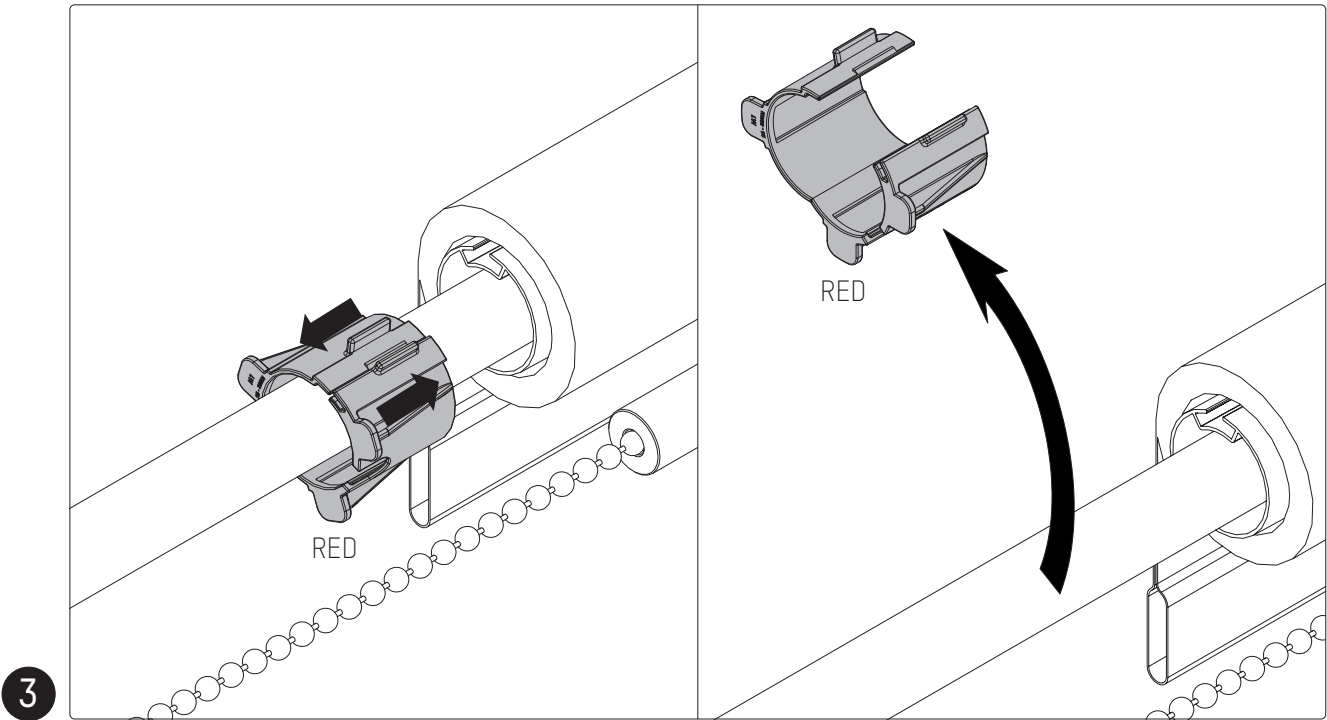
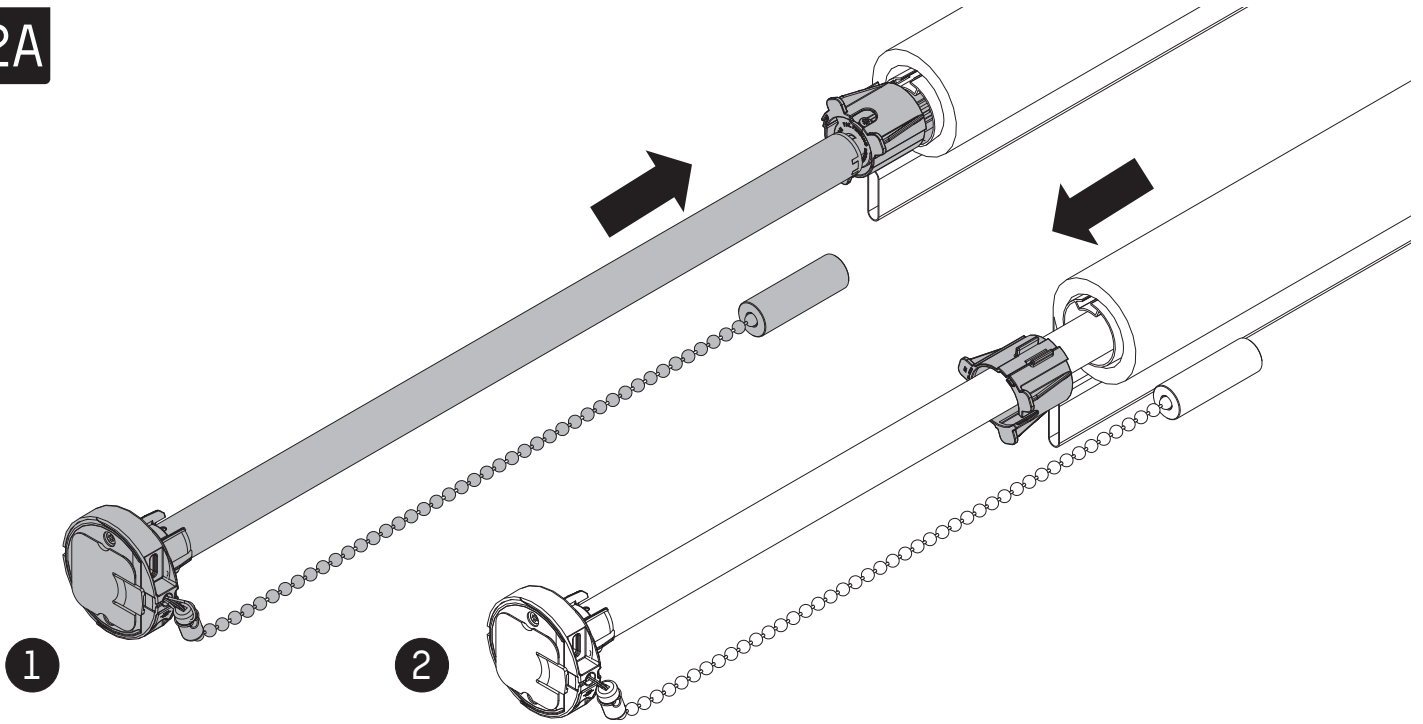
3



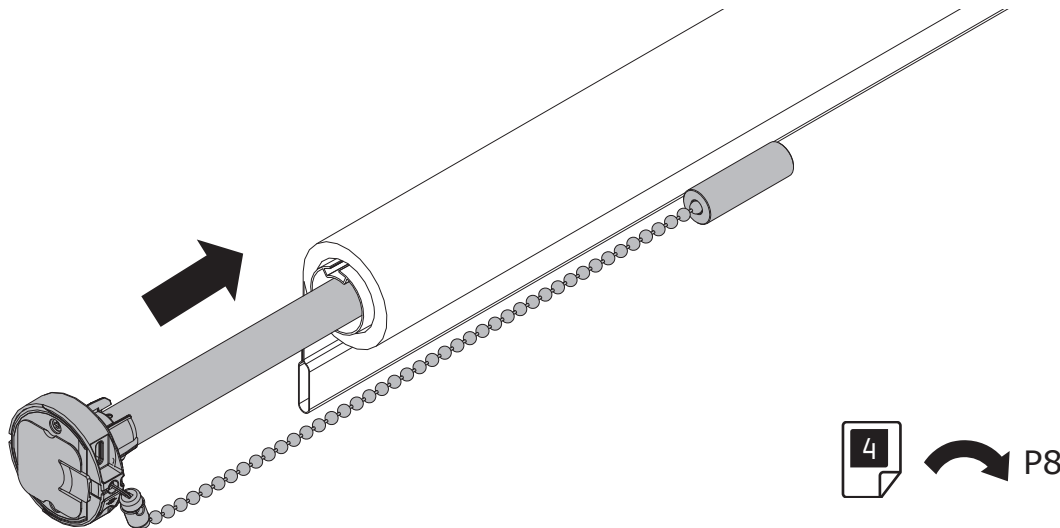
P10

MN220012_20220809

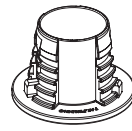
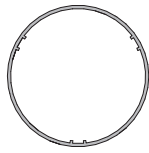
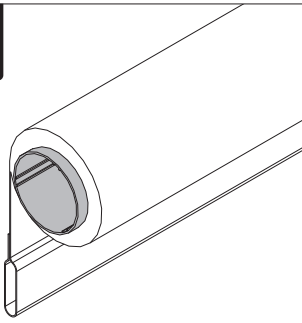
2A



3A

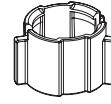
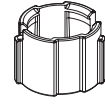
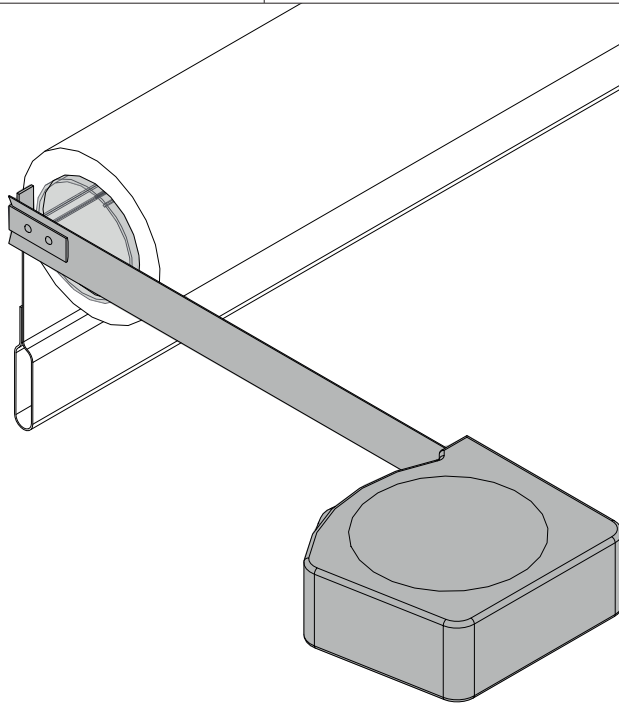


MN220012_20220809

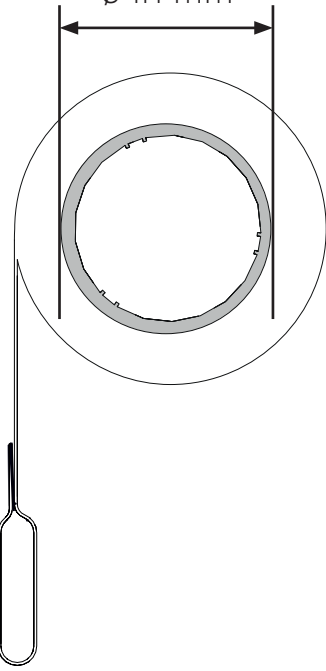
B

ORANGE

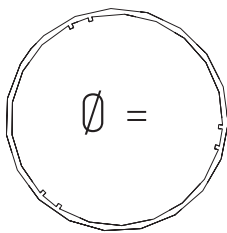
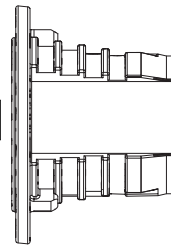
GREEN

**i**

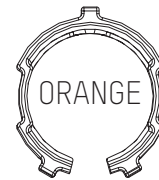
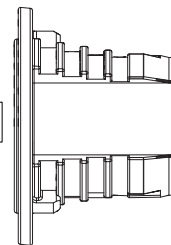
Ø in mm



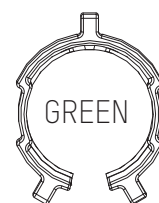
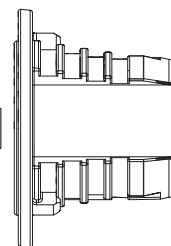
Ø < 25 mm



Ø 25 - 28 mm

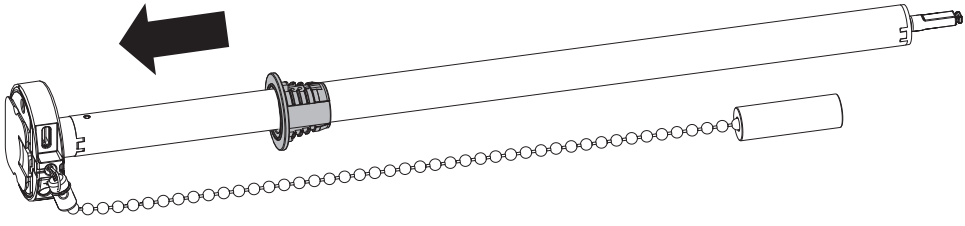


Ø 28 - 31 mm

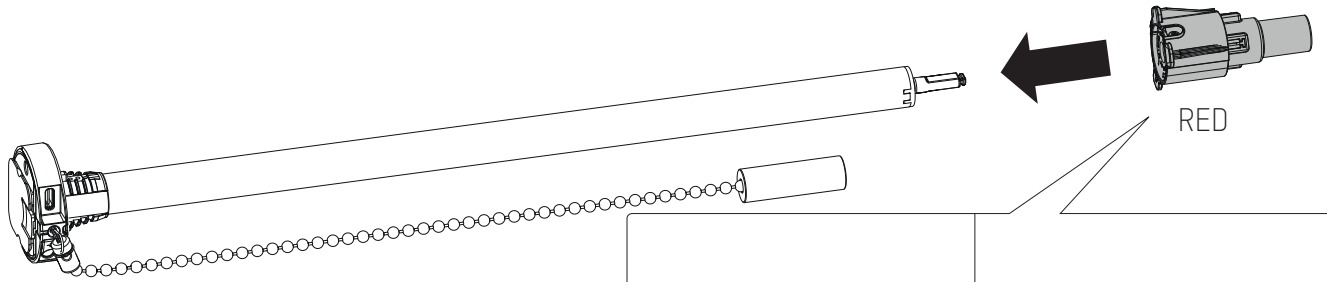


MN220012_20220809

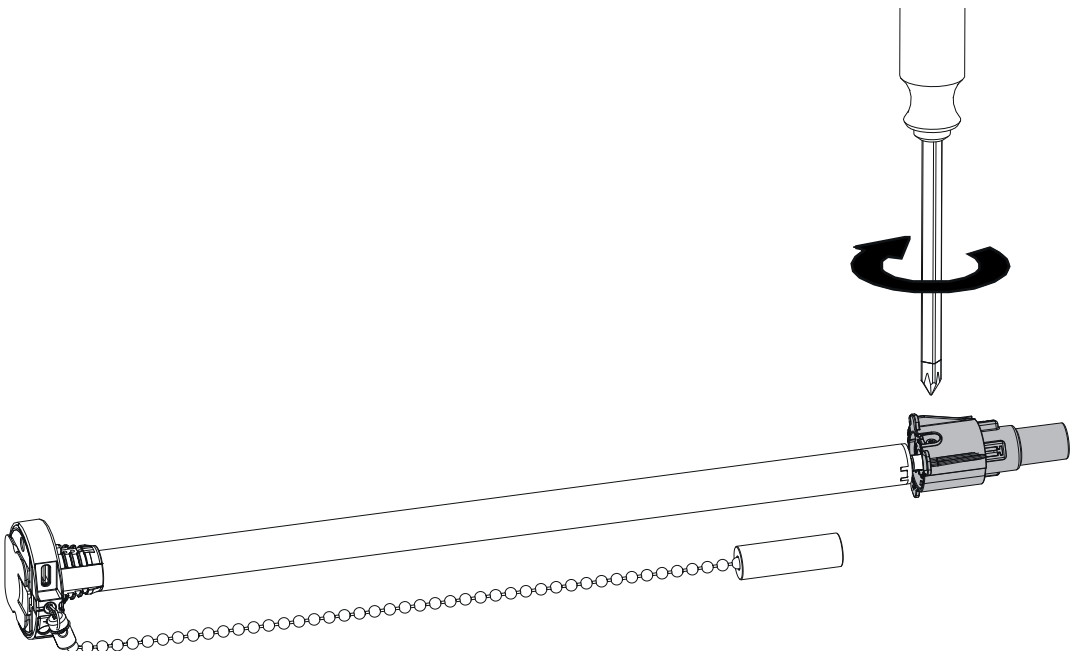
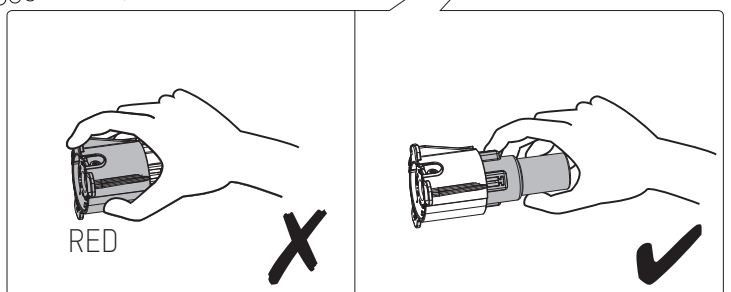
1B



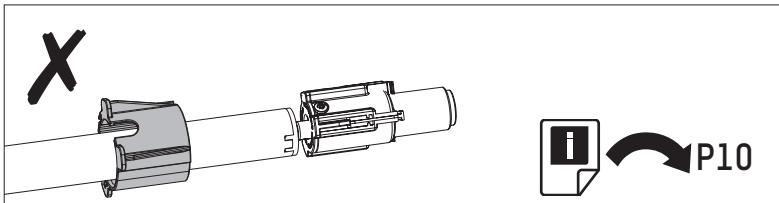
1



2

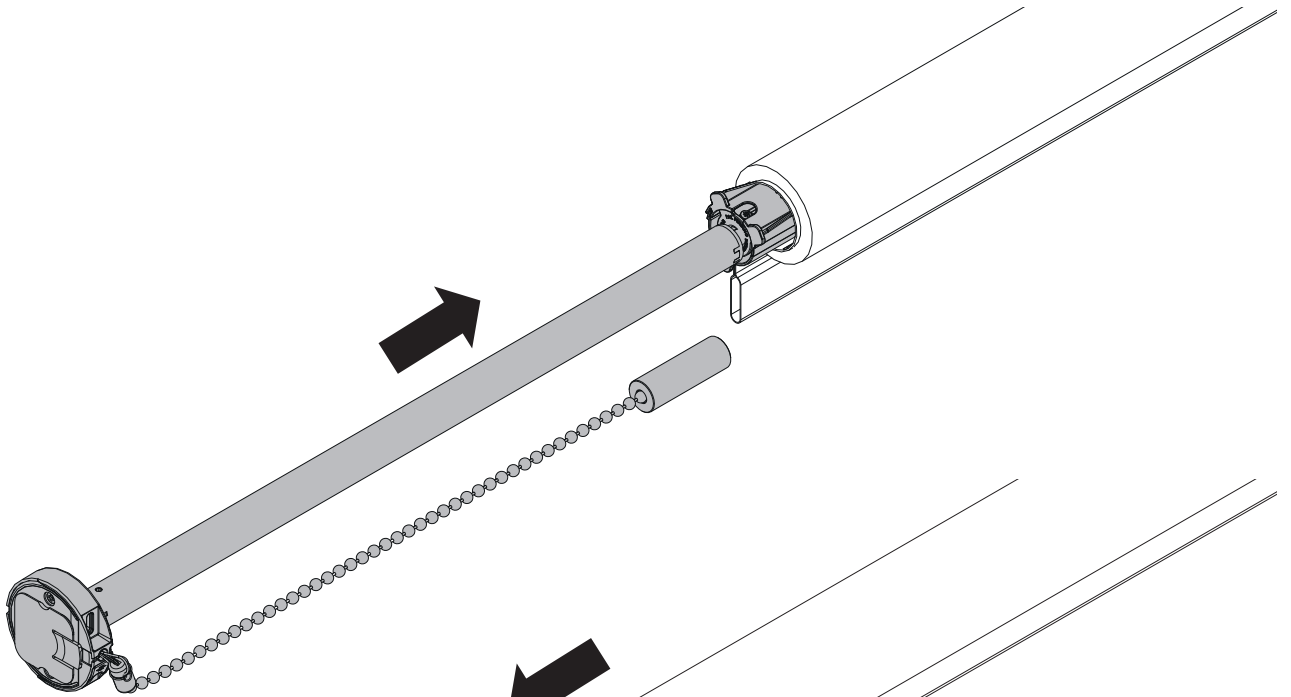


3

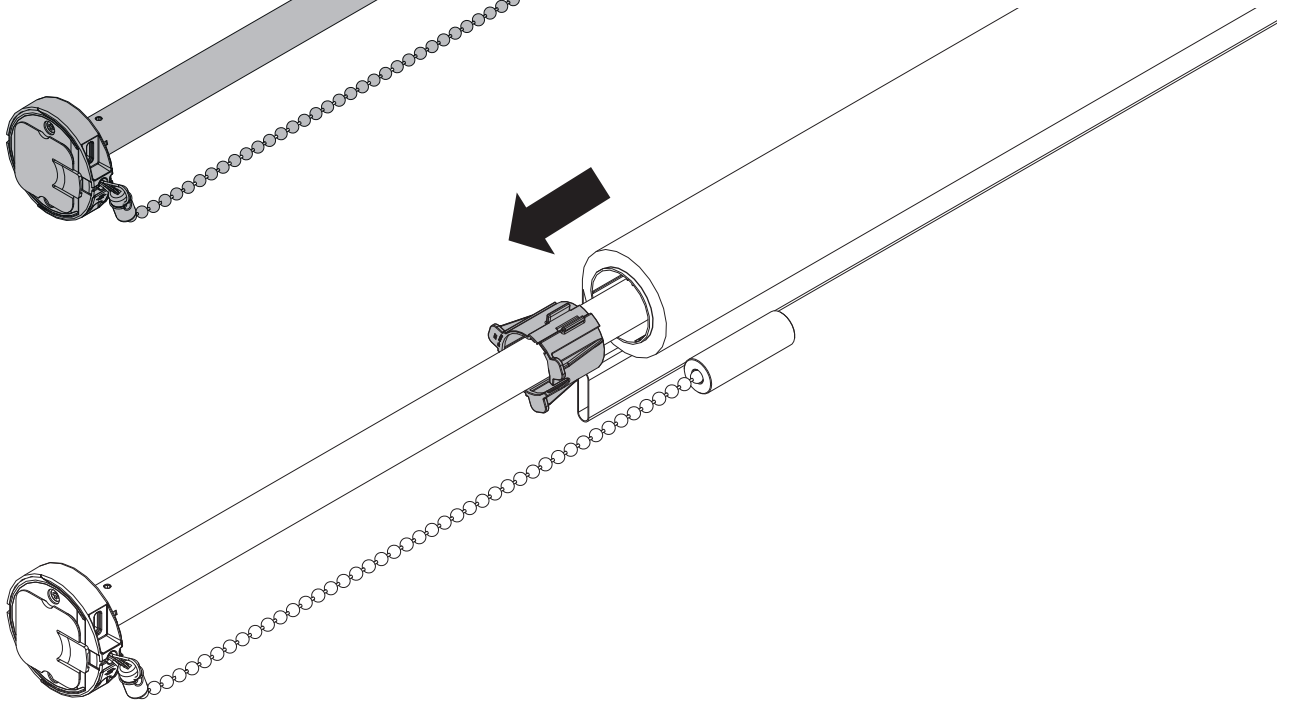


MN220012_20220809

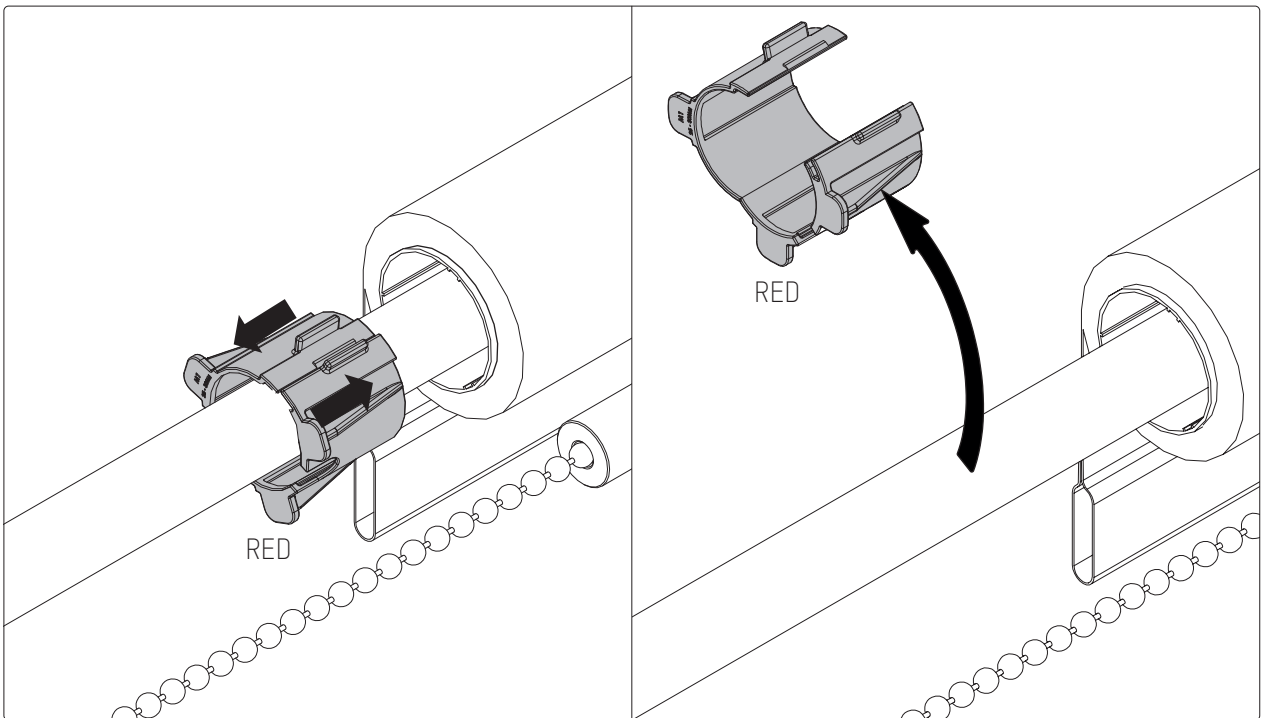
1



2

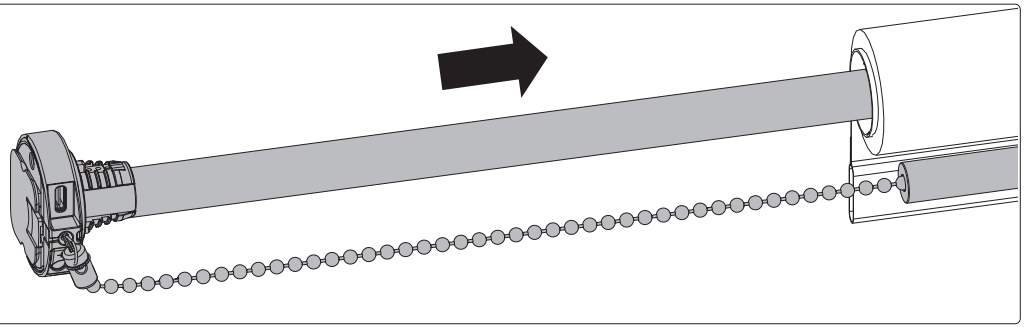


3



MN220012_20220809

3B $\varnothing < 25 \text{ mm}$



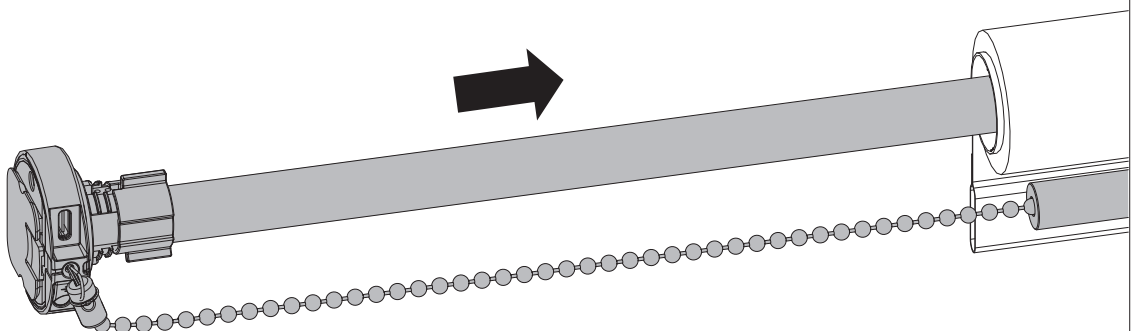
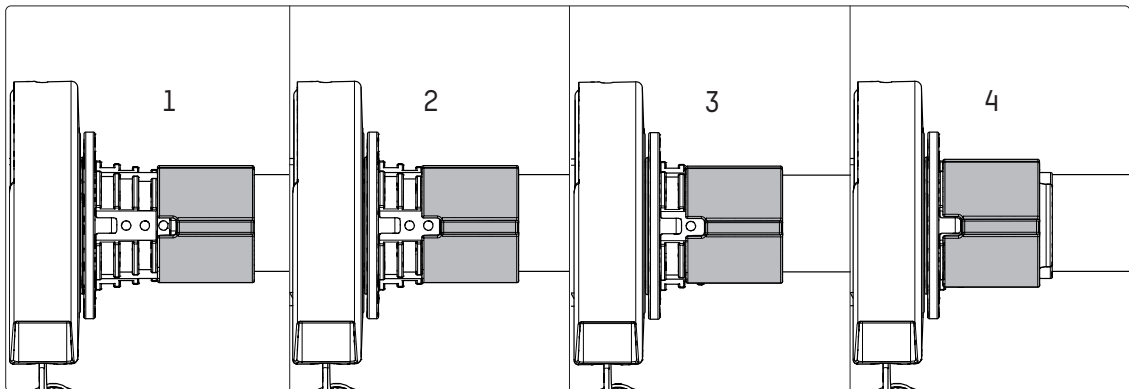
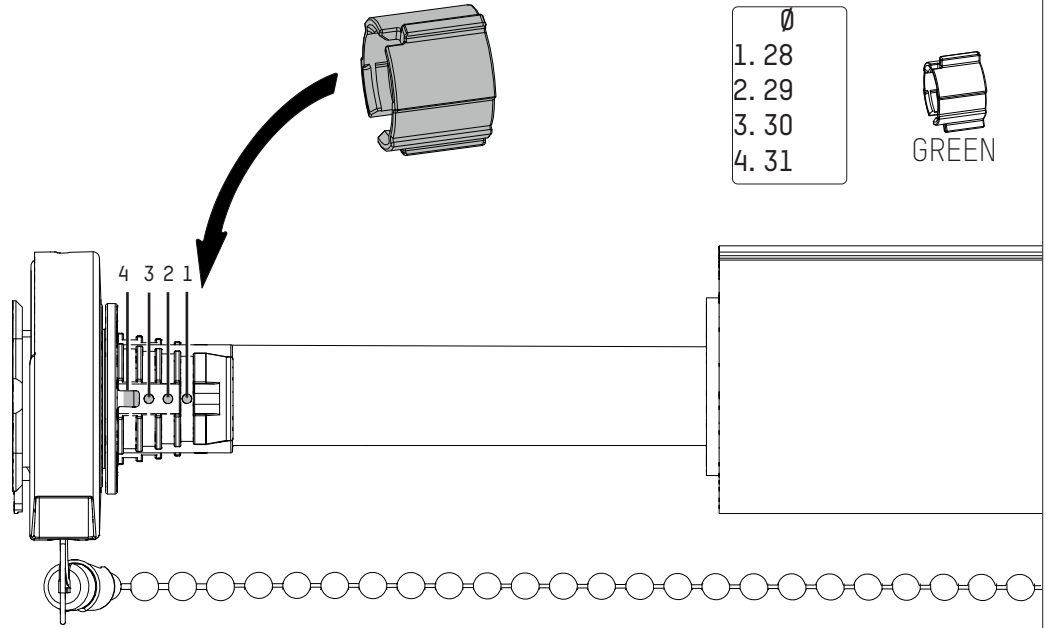
3B $\varnothing 25 - 28 \text{ mm}$

3B $\varnothing 28 - 31 \text{ mm}$

- \varnothing
- 1. 25
- 2. 26
- 3. 27
- 4. 28

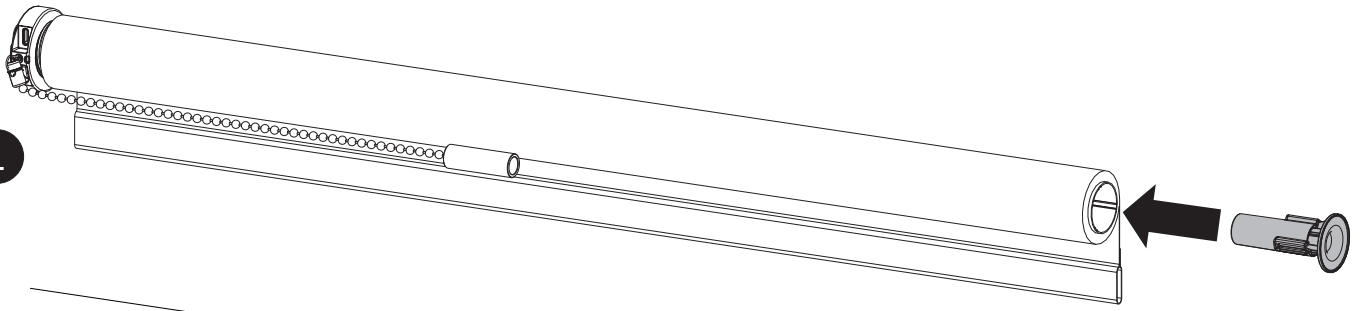


- \varnothing
- 1. 28
- 2. 29
- 3. 30
- 4. 31

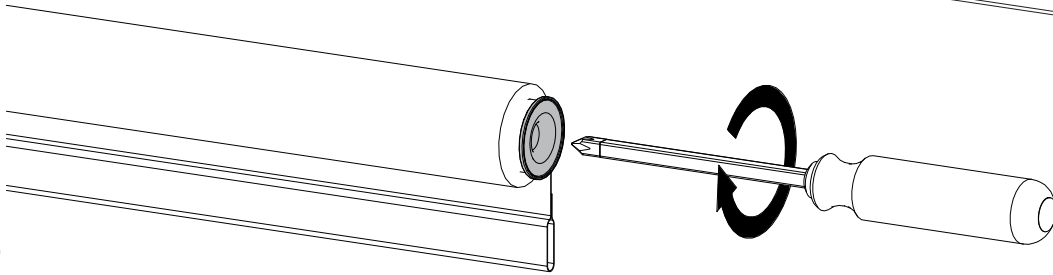


4

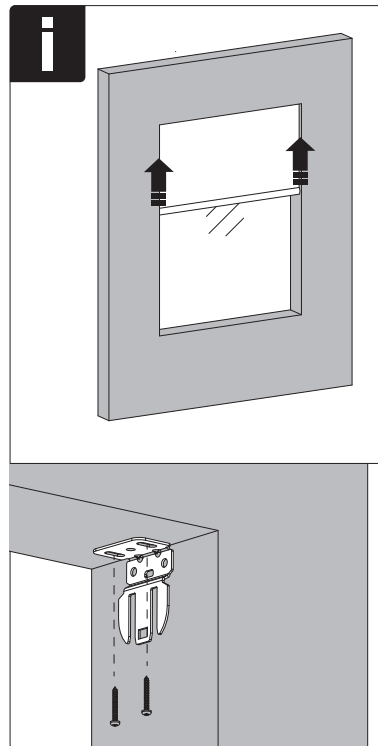
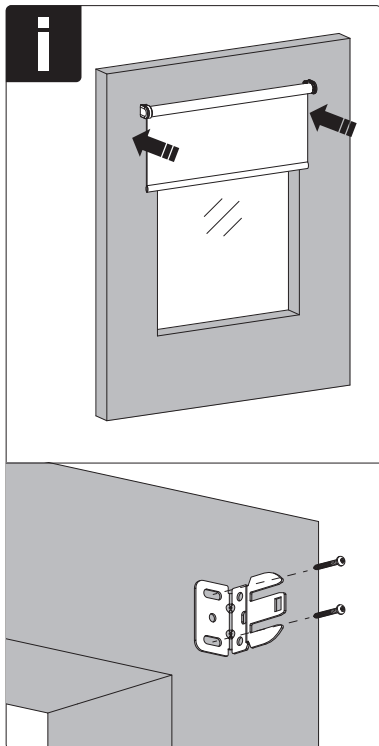
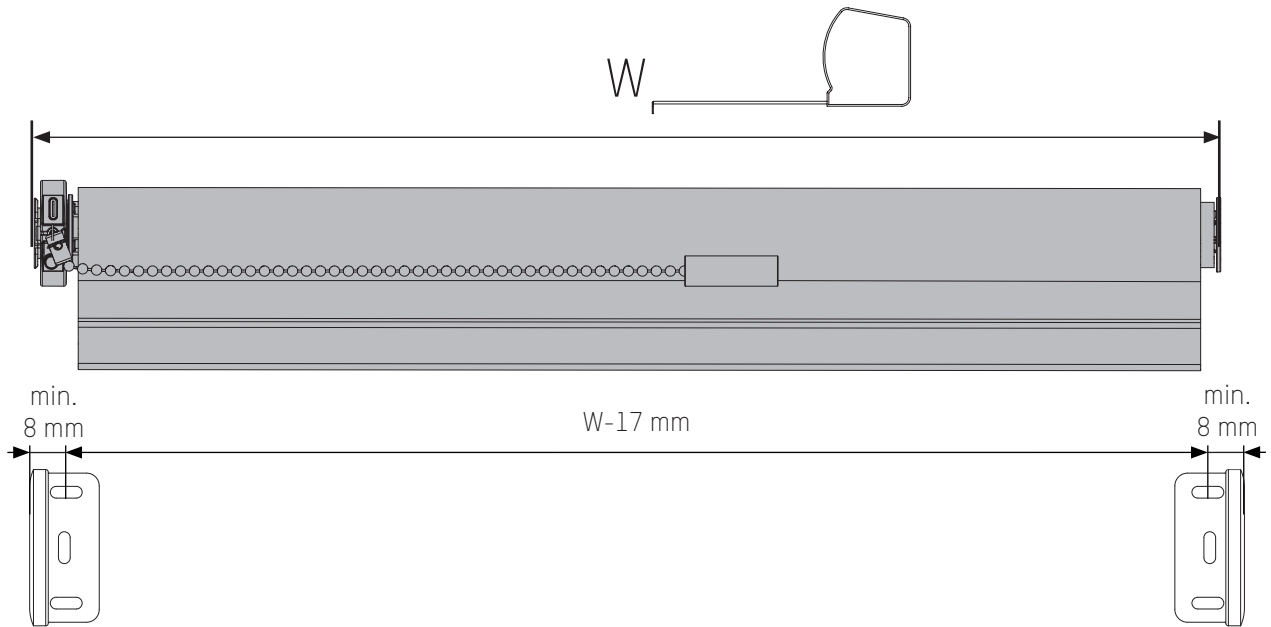
1

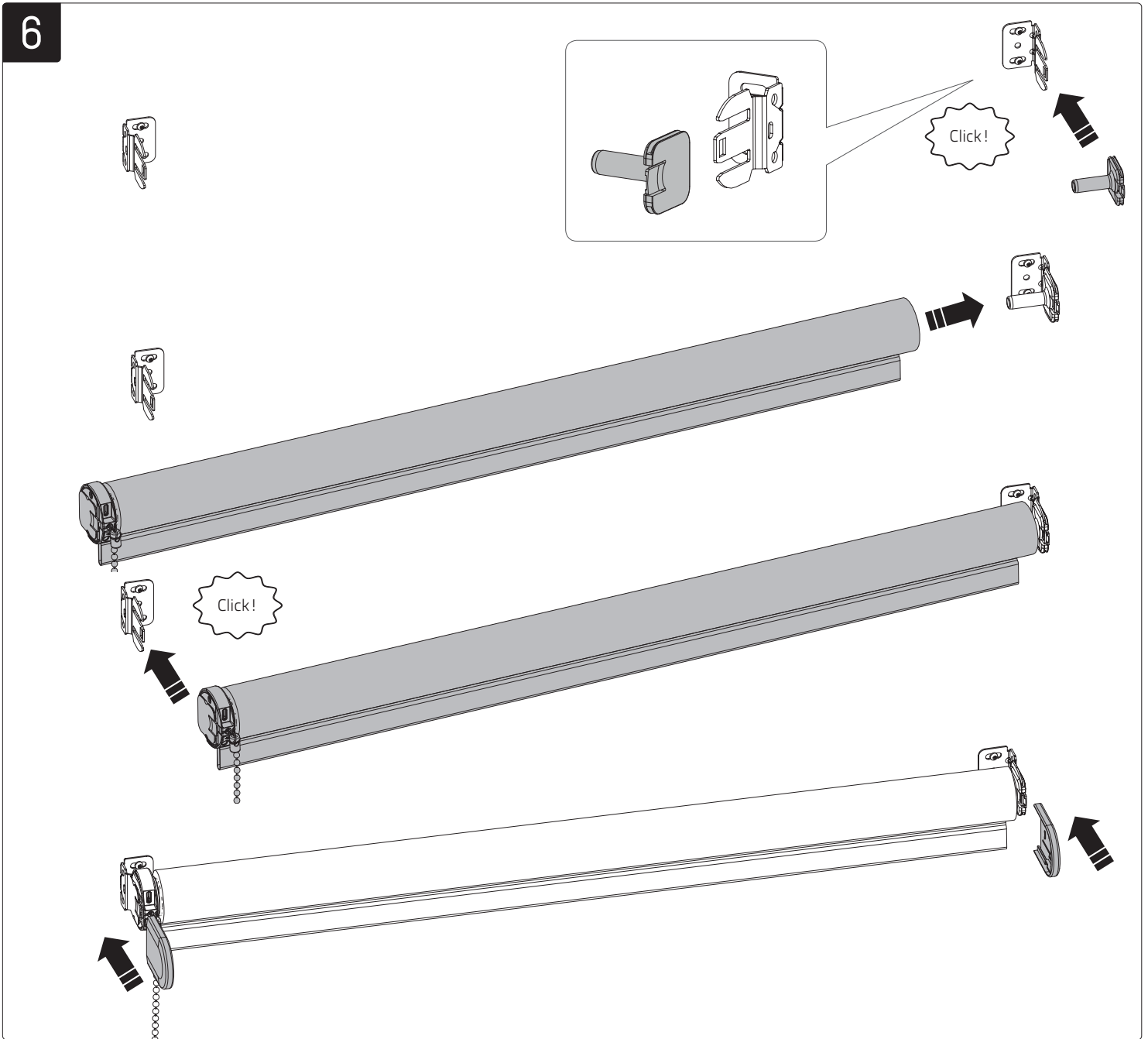


2

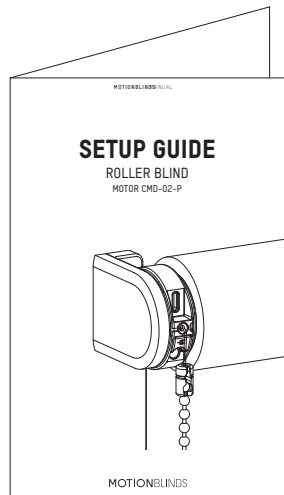


5

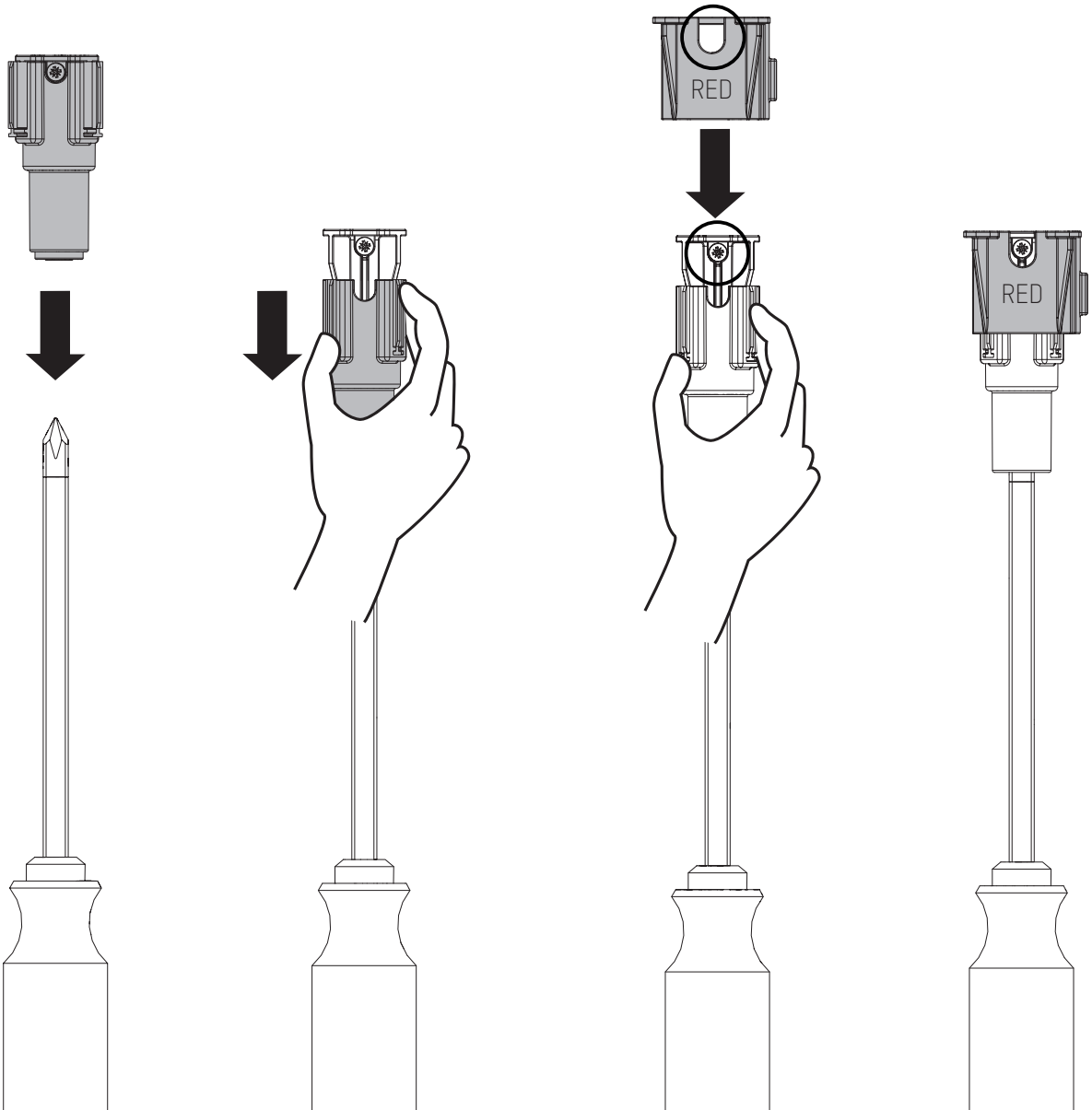




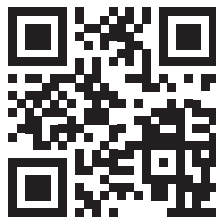
Follow the steps in the manual CMD-02-P to activate the blind:



i Troubleshoot



i For more information and support:



rtube.nl/red1908