



DoorBird
Technology meets Design.



D203

IP VIDEO DOOR STATION

Full Stainless-Steel • Flush-Postbox Edition

Designed,
developed and
made in Germany

GENERAL

Housing	Front panel 3 mm (0,12 in) brushed Stainless steel, galvanized steel sheet flush-mounted housing, back powder-coated RAL 9007, door with cylinder lock and 2 keys, extendable slot for different wall strengths
Doorbell button	Stainless-steel button with illuminated LED Ring
Nameplate	Illuminated
Mounting type	Flush-mounted
Power supply	15 V DC (power 110 - 240 V AC) or Power over Ethernet (PoE 802.3af Mode-A)
Weight	5 kg
Connectors	Power, electric door opener/strike, door chime, door opener button, network
Weather protection	Yes, IP65
Approvals	CE, IC, FCC, IP65
Dimensions	350 x 320 x 260 - 380 mm (H x W x D) 13,78 x 12,6 x 10,24 - 14,96 in (H x W x D)
Operating conditions	-20 to +40°C / -4 to 104°F Humidity 10 to 85 % RH (non condensing)
Scope of delivery	Video Door Station, front panel, flush-mounted housing, power supply unit (world-wide, 110 - 240 V), DIN-Rail power supply sold separately, screw package, quick start guide, 2 x 1 m (39,37 in) antenna extension cable, 2 x external antenna
EAN	4260423860148
Warranty	see www.doorbird.com/warranty

CURRENT SYSTEM REQUIREMENTS

Mobile device	Latest iOS on iPhone/iPad, latest Android on Smartphone/Tablet
Internet	High-Speed landline broadband internet connection, DSL, cable or fiber, min. 500 kbs uploadbandwith, no socks-or proxyserver
Network	802.11 b/g/n 2.4 GHz or Ethernet network, with DHCP
Recommended installation height	Camera lens should be at a min. height of 125 cm (49 in)

VIDEO

Camera	HDTV 720 p, dynamic (VGA - HDTV)
Lens	High-end ultra wide-angle hemispheric lens 180° horizontal, 90° vertical, straightened, IR-capable
Night-vision	Yes, light sensor, automatic IR-cut filter, 12 IR-LEDs

AUDIO

Audio components	Speaker and microphone, echo and noise cancellation
Audio streaming	Two-way duplex

NETWORK

WiFi	802.11 b/g/n 2.4 GHz
Ethernet	Connector, PoE

MOTION SENSOR

Type	Passive infrared sensor (PIR)
Detection angle	180°
Range	2 - 8 m (79 - 315 in) depends on environment

INTEGRATED WIRELESS MODULES

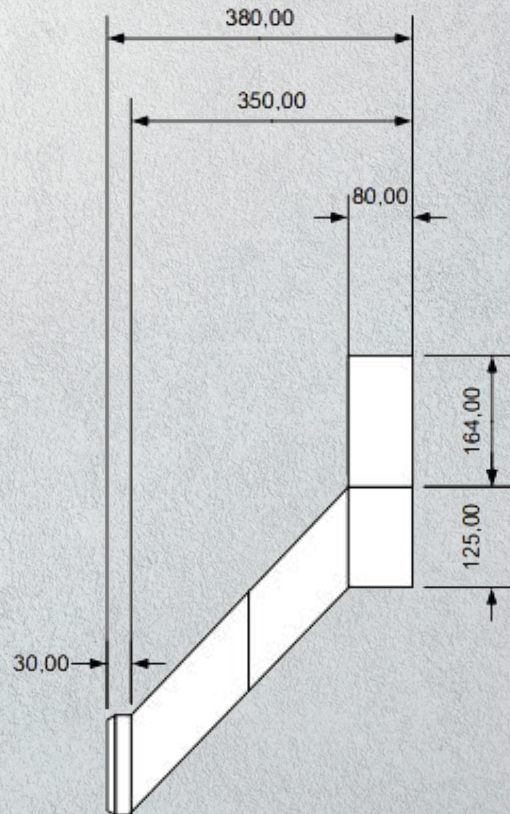
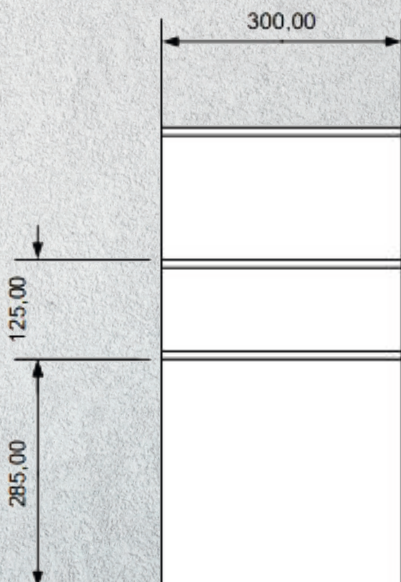
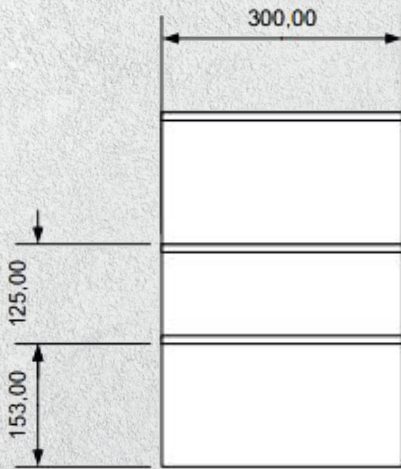
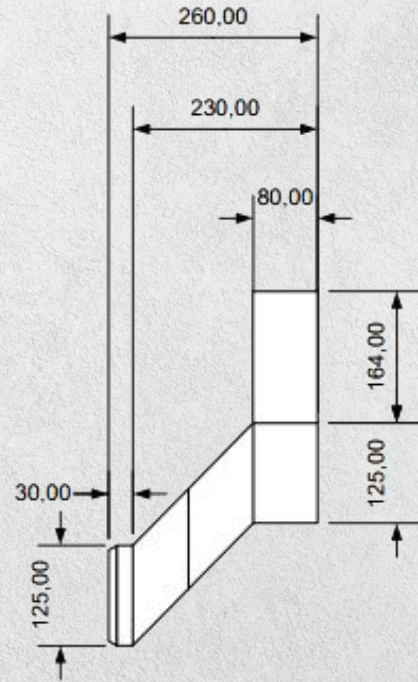
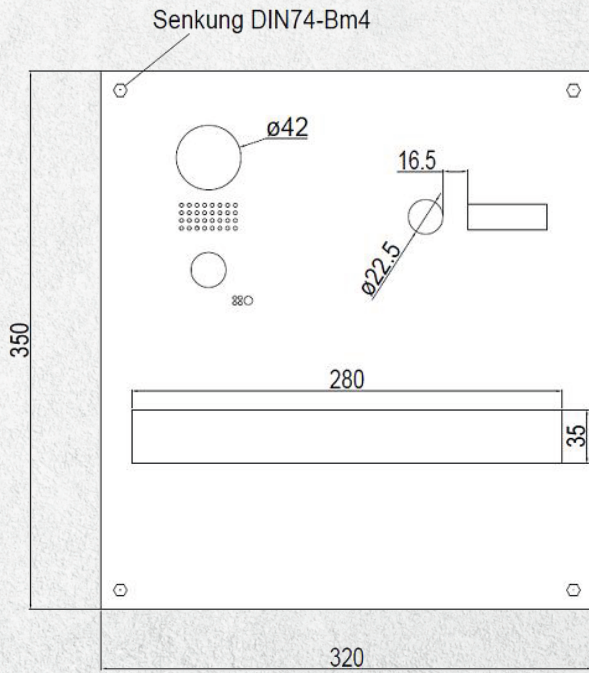
WiFi	2,4 GHz, external antenna
------	---------------------------

OPTIONAL ACCESSORIES

Sold separately	see www.doorbird.com/buy
-----------------	--

Special remarks:
The assembly requires professional skills or technician.

Front panel, data in mm
Material thickness: 3.0



30.1

