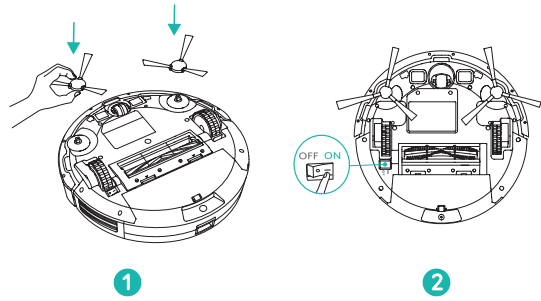
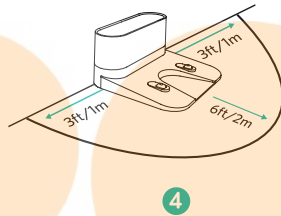
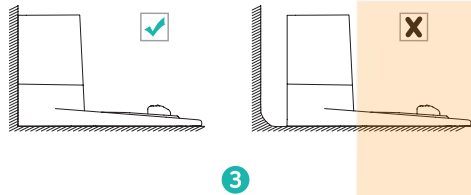


Quick Start Guide

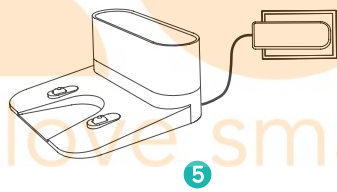
Using Your RoboVac



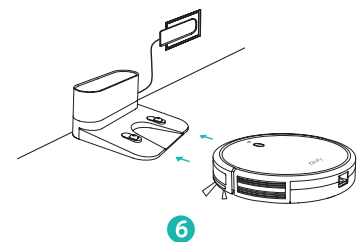
Remove the sticker next to the power switch, and the foam blocks beside the bumper before use.



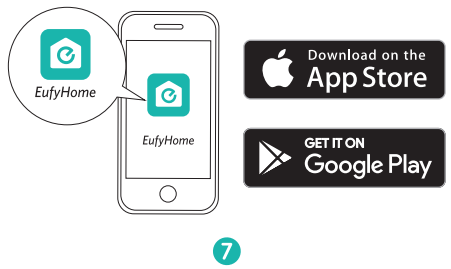
Always keep the Charging Base plugged in, otherwise RoboVac will not automatically return.
When the Charging Base connects to AC power, the LED indicator on the Charging Base is SOLID WHITE.



Fully charge RoboVac before use. The LED indicator on RoboVac breathes orange while charging, and is solid blue when fully charged.

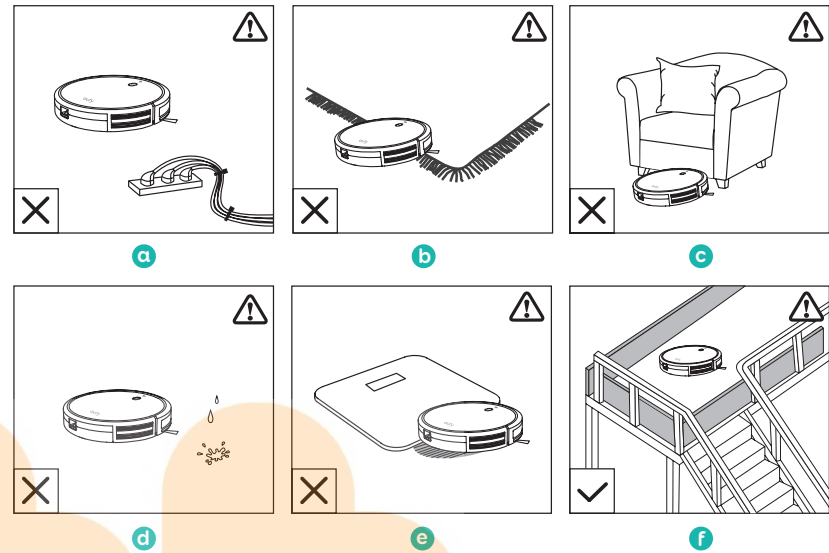


Download the EufyHome app and follow the instructions in the app to complete the Wi-Fi connection. Then you can control RoboVac via this app. Refer to the Owner's Manual for details.



Important Tips

When using for the first time, follow RoboVac to observe and resolve any problems that may occur.



- a** Remove power cords and small objects from the floor that may entangle RoboVac. You can use the supplied cable ties to organize your wires and power cords.
- b** Fold tasseled edges of area rugs underneath to prevent tangling RoboVac. Avoid cleaning very dark-colored rugs or high-pile rugs thicker than 1.02 in/26 mm as they may cause RoboVac to malfunction.
- c** Keep RoboVac away from spaces lower than 2.87 in/73 mm to prevent RoboVac from getting stuck. If necessary, place a physical barrier to block off the problem areas.
- d** Keep RoboVac away from wet areas.
- e** RoboVac may climb on top of objects less than 0.63 in/16 mm in height. Remove these objects if possible.
- f** Anti-drop sensors prevent RoboVac from tumbling down stairs and steep drops. They may work less effectively if dirty or used on reflective/very dark-colored floors. It is recommended to place physical barriers to block off areas where RoboVac may fall.

Place physical barriers in front of fireplaces and areas that may cause damage to RoboVac if entered.