



Page 2-15

Installation Manual

IP Video Door Station
D21x Series



Seite 16-30

Installationsanleitung

IP Video Türstation
D21x Serie



Page 31-45

Manuel d'installation

Interphone vidéo IP
Série D21x



Página 46-59

Manual de Instalación

Videoportero IP
Serie D21x

D21x

INSTALLATION MANUAL

Read these instructions carefully before starting to use any components. Keep the manual so you can refer to it at a later date if required. If you hand over the device to other persons for use, please hand over the operating manual as well.

You can always find the most up-to-date version of the installation manual on www.doorbird.com/support

To make things easier we use the term “device” for the product “IP Video Door Station” and “mobile device” for a smartphone or tablet.

Liability

Every care has been taken in the preparation of this document. Please inform Bird Home Automation GmbH of any inaccuracies or omissions. Bird Home Automation GmbH cannot be held responsible for any technical or typographical errors and reserves the right to make changes to the product and manuals without prior notice. Bird Home Automation GmbH makes no warranty of any kind with regard to the content of this document, including, but not limited to, the implied warranties of merchantability and fitness for a particular purpose. Bird Home Automation GmbH shall neither be liable nor responsible for incidental or consequential damages in connection with the furnishing, performance or use of this material. This product is only to be used for its intended purpose.

Equipment Modifications

This equipment must be installed and used in strict accordance with the instructions given in the user documentation. This equipment contains no components that require service by the user. Unauthorized equipment changes or modifications will invalidate all applicable regulatory certifications and approvals.

Symbols used



Danger: Indicates a hazardous situation which, if not avoided, will result in death or serious injury.



Warning: Indicates a hazardous situation which, if not avoided, could result in death or serious injury.



Caution: Indicates a hazardous situation which, if not avoided, could result in minor or moderate injury.



Notice: Indicates a situation which, if not avoided, could result in damage to property.



Important: Indicates significant information which is essential for the product to function correctly.



Note: Indicates useful information which helps in getting the most out of the product.

Hazard information



WARNING

- Mounting, installation and servicing work on electrical devices may only be performed by a qualified electrician. Failure to observe this regulation could result in the risk of serious damage to health or fatal injury due to electric shocks.
- Devices with 110-240 V connection: The device may only be connected to an easily accessible power socket outlet. The mains adapter must be pulled out if a hazard occurs.
- For power supply, only use the original plug-in mains adapter delivered with the device or a recommended PoE-Switch/PoE-Injector as specified in this manual.
- Because of electrostatic charging, direct contact with the circuit board can result in destruction of the device. Direct contact with the circuit board must therefore be avoided at any time.
- Observe the EN 60065 resp. EN 60950 resp. EN 62368 standard.
- Do not use the device if there are signs of damage to the housing, control elements or connecting sockets, for example, or if it demonstrates a malfunction. If you have any doubts, please have the device checked by an authorized expert.
- Do not open the device. This voids the warranty of the device. The device does not contain any parts that can be maintained by the user. In the event of an error, please have the device checked by an authorized expert.
- For safety, approval and licensing reasons (CE/FCC/IC etc.), unauthorized change and/or modification of the device is not permitted.
- The device is not a toy; do not allow children to play with it. Do not leave packaging material lying around. Plastic films/bags, pieces of polystyrene, etc. can be dangerous in the hands of a child.
- Always lay cables in such a way that they do not become a risk to people and domestic animals.

**WARNING**

- Voltage is applied to parts within the equipment. Do not touch any parts that are not associated with the installation, wiring, or connection. Electric shock could result.
- On devices which are not marked as weather-proof: Keep the device away from water or any other liquid.
- Do not install or make any wire terminations while power supply is plugged in. It can cause electric shock or damage to the device.
- Before turning on power, make sure wires are not crossed or shorted. If not, fire or electric shock could result.
- High voltage may be present internally. Do not open the device. Electric shock could result.
- The device is not of explosion-proof. Do not install or use near gases or flammable materials. Fire or explosion could result.
- Do not install two power supplies in parallel to a single input. Fire or damage to the device could result. Be sure to connect a single power supply to the device.
- Do not connect any terminal on the device to an AC power line. Fire or electric shock could result.
- Keep AC cord from being marred or crushed. If the AC cord is fractured, fire or electric shock could result.
- Do not plug or unplug with wet hands. Electric shock could result.
- Do not put any metal or flammable material into the device. Fire, electric shock, or device trouble could result.
- Existing wiring may contain high voltage AC electricity. Damage to the device or electric shock could result. Wiring and installation must be done by a qualified electrician.
- When mounting the device on a wall or ceiling, install the device in a convenient location, but not where it could be jarred or bumped. Injury could result.
- On devices with ground terminals, connect to an earth ground. Otherwise fire or malfunction could result.
- On devices with plastic or real glass, do not put high pressure on the glass. If fractured, injury could result.
- On devices with LCD, if LCD is punctured, do not allow contact with the liquid crystal inside. Injury could result. If necessary, gargle your mouth and clean your eyes or skin with clear water for at least 15 minutes and consult your doctor.
- Do not put anything on the device or cover the device with cloth, silicone, glue, coating, separate covering etc. Fire or device issues could result.
- Do not install the device in any of the following locations. Fire, electric shock, or device trouble could result.
 - Places under direct sunlight or places near heating equipment that varies in temperature.
 - Places subject to dust, oil, chemicals, hydrogen sulfide (hot spring).
 - Places subject to moisture and humidity extremes, such as bathrooms, cellars, greenhouses, etc.
 - Places where the temperature is very low, such as inside a refrigerated area or in front of an air conditioner.
 - Places subject to steam or smoke (e.g. near heating or cooking surfaces).
 - Where noise generating devices such as dimmer switches or inverter electrical appliances are closeby.
 - Locations subject to frequent vibration or impact.
- On devices with intercom, be sure to perform a call test with low audio volume on both intercom devices. A sudden call etc. may arrive causing for example damage to your ear.
- If the device does not operate properly, unplug the power supply.
- All devices which are not marked as weather-proof are designed for indoor use only. Do not use outdoor.
- On devices which are marked weather-proof: Do not spray with high-pressure water. Device issues could result.
- We do not assume any liability for damage to property or personal injury caused by improper use or the failure to observe the hazard information. In such cases, any claim under warranty ceases. For consequential damages, we assume no liability!

Safety instructions

NOTICE

- The device shall be used in compliance with local laws and regulations.
- Store the device in a dry and ventilated environment.
- Avoid exposing the device to shocks or heavy pressure.
- Do not install the device on unstable brackets, surfaces or walls. Make sure the material is strong enough to support the weight of the device.
- Use only applicable tools when installing the device. Using excessive force with tools could cause damage to the device.
- Do not use chemicals, caustic agents, or aerosol cleaners.
- Use a clean dry cloth for cleaning.
- Use only accessories that comply with technical specification of the device. These can be provided by Bird Home Automation GmbH.
- Use only spare parts provided by or recommended by Bird Home Automation GmbH.
- Do not attempt to repair the device by yourself. Contact Bird Home Automation GmbH for service matters.
- Keep the device more than 1 m (3.3') away from microwave, radio, TV, wireless router and any other wireless devices.
- On devices with intercom or built-in speaker or built-in microphone or signal transmission functions, keep the wires more than 30 cm (12") away from AC 100-240 V wiring. AC induced noise and/or device malfunction could result.
- Install the device in an area that will be accessible for future inspections, repairs and maintenance.
- If the device is used close to a cellular phone, the device may malfunction.
- The device can be damaged if dropped. Handle with care.
- The device turns inoperative during power failure.
- On devices with intercom or built-in speaker or built-in microphone, in areas where cellular or Radio / TV broadcasting station antennas are closeby, the device may be affected by radio frequency interference.
- On devices with LCD screen, it must be noted in advance that the LCD panel, though

manufactured with very high precision techniques, inevitably will have a very small portion of its picture elements always lit or not lit at all. This is not considered a device malfunction.

- On devices with intercom, due to the environmental sound around the device, it may hinder smooth communication, but this is not a malfunction.
- On devices with Username/Password, the Username/Password to access the device is the customer's responsibility. Make sure to use password that cannot be easily guessed by a third party. We recommend that you change the Password on a regular basis.
- We will, under no circumstances, be liable for damage that occurs due to failures in power supply, network equipment or terminal devices; failures due to Internet providers and cellular network providers; failures such as disconnected lines and other losses in communication, which makes it impossible to provide this service as well as in any way delay this service due to any other causes outside of our responsibility; or if an error or missing data occurs during transmission.

Transportation

NOTICE

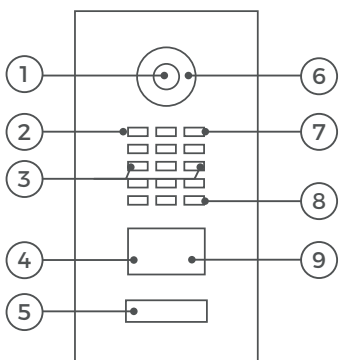
When transporting the device, use the original packaging or equivalent to prevent damage to the device.

Warranty Information

For information about the device warranty, see www.doorbird.com/warranty

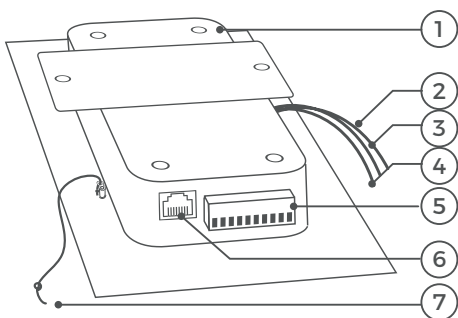
DEVICE EXAMPLE WITH 1 CALL BUTTON

Front



- 1) HDTV Video
- 2) Light Sensor For night-vision mode
- 3) Security screws
- 4) Motion Sensor
- 5) Illuminated call button with nameplate
The illumination is also acting as Diagnostic LED(s).
- 6) Night Vision LEDs
- 7) Microphone
- 8) Loudspeaker
- 9) RFID Reader

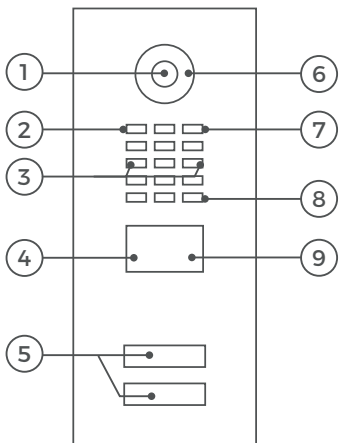
Inside



- 1) Main Electrical Unit
- 2) Yellow cable for call button
Connected to the illuminated call button with nameplate
- 3) Red cable for Module Port 1 (unused)
- 4) Green cable for Module Port 2 (unused)
- 5) Screw connection terminal
- 6) LAN/PoE jack
- 7) Nylon cord
To secure the front panel during assembly

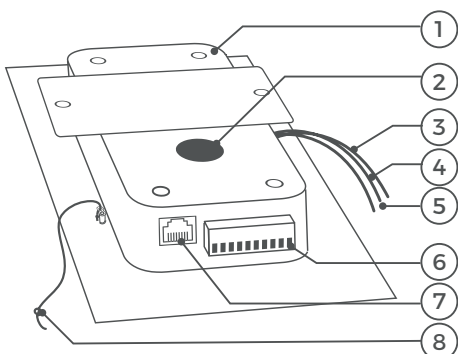
DEVICE EXAMPLE WITH 2 AND MORE CALL BUTTONS

Front

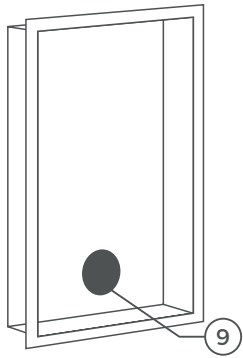


- 1) HDTV Video
- 2) Light Sensor For night-vision mode
- 3) Security screws
- 4) Motion Sensor
- 5) Illuminated call buttons with nameplate
The illumination is also acting as Diagnostic LED(s).
- 6) Night Vision LEDs
- 7) Microphone
- 8) Loudspeaker
- 9) RFID Reader

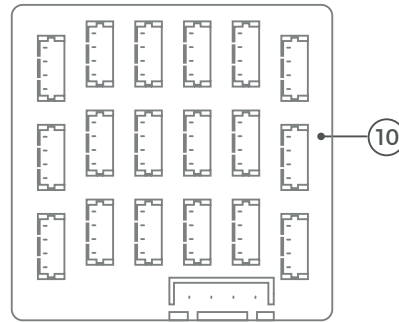
Inside



- 1) Main Electrical Unit
- 2) Velcro tape 1
To fix the Multi Tenant Module temporary on the Main Electrical Unit during assembly
- 3) Yellow cable for call button (unused)
- 4) Red cable for Module Port 1
Connected to Multi Tenant Module
- 5) Green cable for Module Port 2 (unused)
- 6) Screw connection terminal
- 7) LAN/PoE jack
- 8) Nylon cord
To secure the front panel during assembly



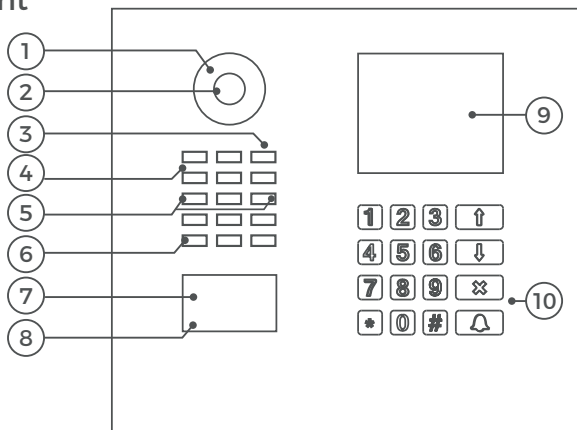
9) Velcro tape 2
To fix the Multi Tenant
Module permanently
on the backbox



10) DoorBird Multi Tenant
Module MTM18A

DEVICE EXAMPLE WITH DISPLAY MODULE AND KEYPAD MODULE

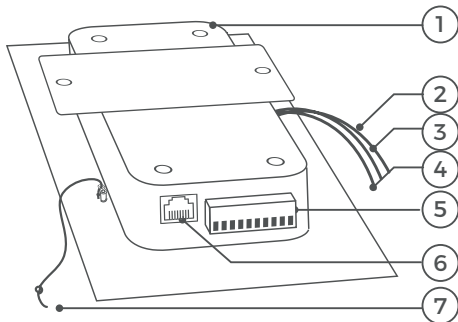
Front



- 1) Night Vision LEDs
- 2) HDTV Video
- 3) Microphone
- 4) Light Sensor
For night-vision mode
- 5) Security screws
- 6) Loudspeaker
- 7) RFID Reader
- 8) Motion Sensor

- 9) Display Module
- 10) Keypad Module
The illumination is
also acting as
Diagnostic LED(s)

Inside

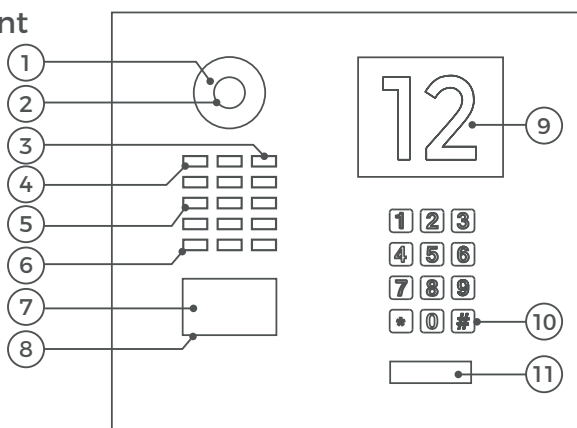


- 1) Main Electrical Unit
- 2) Yellow cable for
call button (unused)
- 3) Red cable for
Module Port 1
Connected to the
Keypad Module
- 4) Green cable for
Module Port 2
Connected to the
Display Module

- 5) Screw connection
terminal
- 6) LAN/PoE jack
- 7) Nylon cord
To secure the front
panel during assembly

DEVICE EXAMPLE WITH INFO MODULE AND KEYPAD MODULE

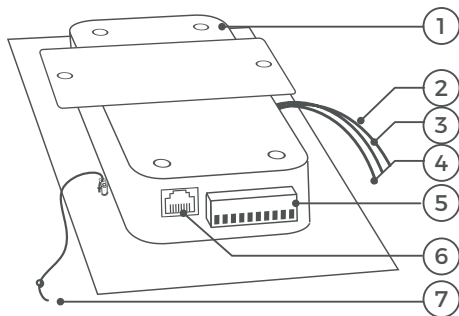
Front



- 1) Night Vision LEDs
- 2) HDTV Video
- 3) Microphone
- 4) Light Sensor
For night-vision mode
- 5) Security screws
- 6) Loudspeaker
- 7) RFID Reader
- 8) Motion Sensor
- 9) Info Module

- 10) Keypad Module
The illumination is
also acting as
Diagnostic LED(s)
- 11) Illuminated
call button with
nameplate
The illumination is
also acting as
Diagnostic LED(s).

Inside



- 1) Main Electrical Unit
- 2) Yellow cable for call button (unused)
- 3) Red cable for Module Port 1 Connected to the Keypad Module
- 4) Green cable for Module Port 2 Connected to the Info Module
- 5) Screw connection terminal
- 6) LAN/PoE jack
- 7) Nylon cord To secure the front panel during assembly

VIDEOS

Need help with the installation? Be sure to watch our installation videos which can be found on <http://www.doorbird.com/support>

Each individual step of the installation is clearly documented in the videos.

INSTALLATION

All the steps below should be carried out carefully by a competent adult, taking into consideration any applicable safety regulations. Please contact us directly or seek the advice of a competent specialist.

Please ensure that all wires used for the installation are undamaged along their entire length and approved for this type of use.

Network speed and network components

Please ensure that the upload speed of your Internet connection is at least 0.5 Mbps. You can also carry out a speed test at any time via the DoorBird App. The user experience is only as good as your network speed, network stability and quality of your network components, such as your Internet Router and WiFi access points or WiFi repeaters. Please also make sure that your network components are no older than two years old, have been manufactured by a well-known manufacturer, and have the latest firmware installed.

Should these requirements not be fulfilled, it may occur, for example that the performance of audio and video is poor or push notifications are delayed or do not arrive on your smartphone or tablet at all.

Requirements:

High-speed Internet (via landline): DSL, cable or optical fibre

Network: Ethernet, with DHCP

STEP 1: SWITCHING OFF POWER



Switch off the power to all wires leading to the assembly location, i.e. the door chime, electric door opener, power supply unit for the video door station etc.

STEP 2: DISMANTLING THE EXISTING DOORBELL

Should there already be a doorbell or door station on the exterior wall of the house, please dismantle it.

STEP 3: DETERMINING THE ASSEMBLY LOCATION

The device uses an ultra wide-angle hemispheric lens so that even when the person is a minimum distance of 50 cm (19.68 in) away from the device, a low installation height is sufficient. The lens is therefore not mechanically adjustable. The camera lens should be located at an altitude of at least 145 cm (57 in). You may check this prior to the final mounting.

When choosing the assembly location, consider the lighting conditions. Avoid direct sunlight, direct backlight and reflective surfaces.



Do not expose the device to direct sunlight. The housing temperature can exceed the maximum allowed temperature limit. This can result in damage of electric and mechanic components of the device and injuries especially when touching exterior parts of the device. White and bright silver-colored front plates absorb less sunlight than dark ones.



An image sensor must not be exposed to direct sunlight for an extended period of time. Direct sunlight will "blind" the camera and may permanently bleach the small color filters on the image sensor chip.



Any defects caused by direct sunlight are not covered by warranty.

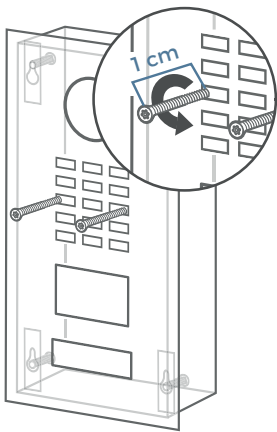
The network cable between the device and the PoE-Switch/PoE-Injector/Internet Router can have a maximum length of 80 meters/262 feet (IEEE 802.3).



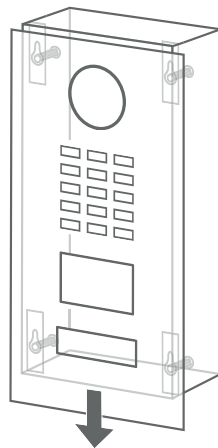
If you have only two wires available at the assembly location, you may use of the "DoorBird 2-Wire Ethernet PoE Converter A1071", sold separately. It allows you to transfer network data (Ethernet) and power (PoE) with a simple two-wire cable over long distances. For example; existing buildings with a simple two-wire bell wire can be equipped with network technology without having to retrofit any network cables.

STEP 4: REMOVING THE FRONT PLATE

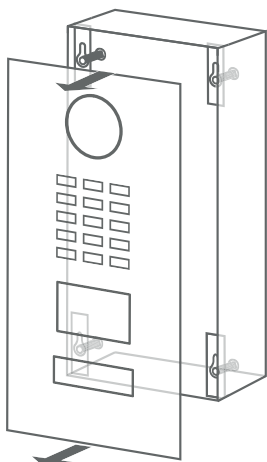
Remove the front plate carefully using the screw driver provided with the device from the mounting housing (backbox).



1.) Turn out the security screws for 1 cm



2.) Pull down the front panel.



3.) Pull the front panel towards you.

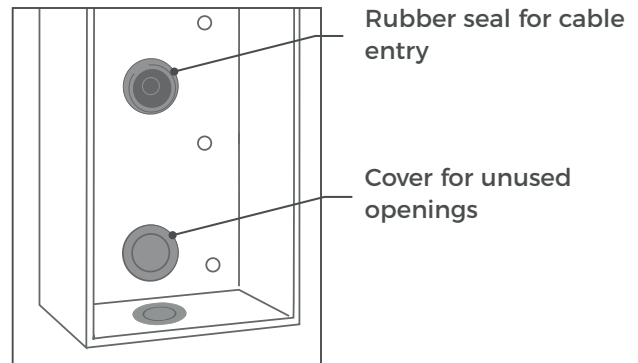
STEP 5: ASSEMBLING THE MOUNTING HOUSING

Assemble the mounting housing (backbox) to the wall. You can find detailed drawings and measurements of the device in the corresponding datasheet.

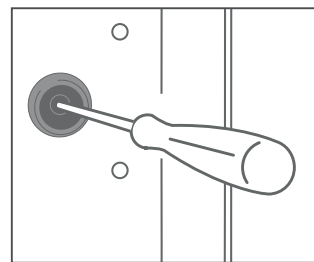


If you must drill holes in a wall, insert screws into a wall or lever up a wall, ensure that no cables or mains (gas, water, etc.) are to be found in the wall.

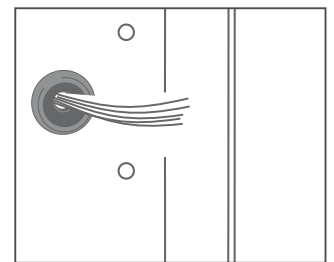
Mounting the surface-mounted housing



Place the rubber seal for the cable entry on the mounting opening.



Pierce through the middle of the rubber seal using a screwdriver.



Feed all cables and wires that you want to connect to the device through the rubber seal.

STEP 6: POWER SUPPLY OPTIONS

The device can be powered using the power-supply unit (mains adaptor) supplied with it (Option 1) or via PoE (Power over Ethernet) using a network cable (Option 2). The device can be alternatively also be supplied with power using a DIN-rail power supply unit that you can obtain directly from us. The device does not use battery power.



OPTION 1:
POWER SUPPLY USING THE POWER SUPPLY UNIT (MAINS ADAPTOR)

The power supply unit (mains adaptor) supplied with the device has a 300 cm long cable with two insulated wires.



Do not plug the power supply unit into the wall socket yet. Only use the power supply unit provided along with the device, or a DIN-rail power supply unit that you can obtain from us separately, since this has been specially stabilized electrically and is equipped with an integrated audio interference reduction device. Other power supply units may destroy the device or cause poor transmission quality. The warranty expires automatically if you use a different power supply unit.



**OPTION 2:
POWER SUPPLY AND NETWORK
CONNECTION USING POE (POWER OVER
ETHERNET)**

To power the device via a PoE-Switch (e.g. D-Link DGS-1008P) or PoE-Injector (e.g. DoorBird Gigabit PoE Injector A1091) in accordance with the PoE standard IEEE 802.3af Mode A, the four wires bearing the numbers 1, 2, 3 and 6 of a Cat.5 cable or better are to be used. A Cat.5 cable or better must be used as network signals can only be transmitted over completely insulated, shielded and twisted cables. If you use PoE as a source of power the four wires for PoE then simultaneously form the data link. The device won't start if your PoE-Switch/PoE-Injector does not support the PoE Standard IEEE 802.3af Mode A (see Diagnostic-LED and Diagnostic-Sounds).



1. Disconnect the PoE-Switch or PoE-Injector from the power grid.
2. Run the network cable to the installation location of the device.

STEP 7: CONNECTING THE DEVICE

It is possible to connect the cables and wires to the device conveniently and safely via labelled connection ports. You can connect all necessary cables and wires to the device now. Please remove any cables and wires from the connection ports of the device that you do not need. Remove about 5 mm of insulation material at the end of the wires that you would like to connect to the green screw connection terminal of the device.



Please take care when connecting the cables and wires. Connecting the cables and wires the wrong way may damage the device. Wires without insulation material must not protrude out of the green screw connection terminal, it may lead to electrical short and damage the device.

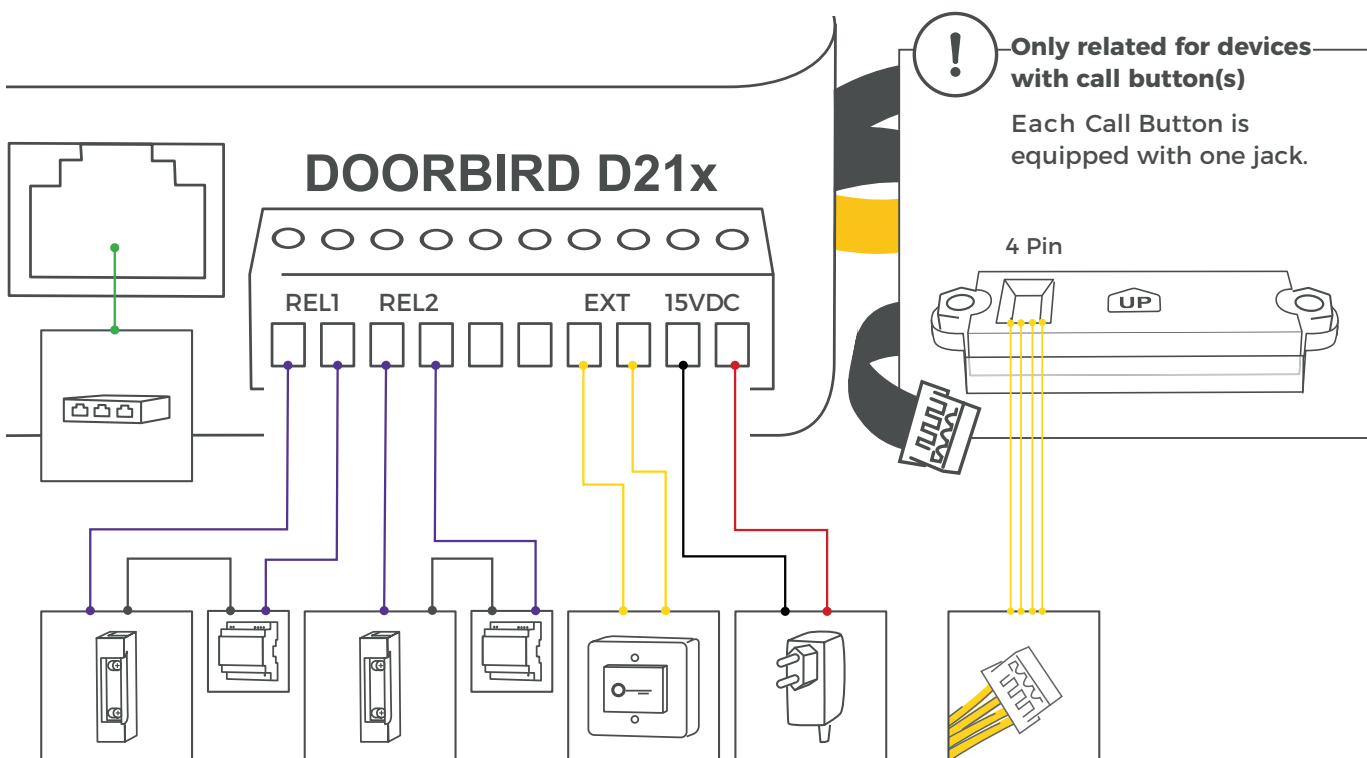
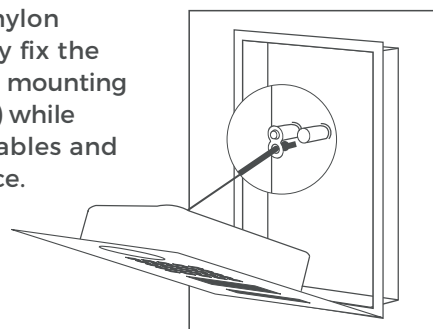


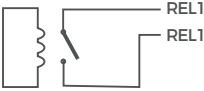
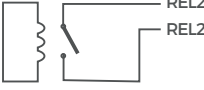
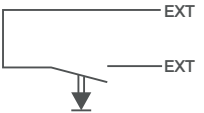
The yellow, green, and red cables that lead out from the side of the Main Electrical Unit must only be used to connect components certified by Bird Home Automation.



Handle the front plate with care. The surface of the front plate could be scratched or otherwise damaged if handled without care.

You can use the nylon cord to temporary fix the front plate to the mounting housing (backbox) while connecting the cables and wires to the device.



PORT	DESCRIPTION
LAN/POE	<p>RJ45 jack to connect a standard Network cable Cat.5 or better, coming from the Internet Router/PoE-Switch/PoE-Injector.</p> <p>NOTICE Do not power the device simultaneously via the power supply from the power supply unit (mains adaptor) and the power supply via PoE.</p>
REL1, REL1	<p>Bi-stable latching relay #1, max. 24 V DC/AC, 1 Ampere. Security feature: The relay keeps its state even in the case of loss of power. You can configure the default state of the relay (open/close) via the DoorBird App. These ports can be used to connect e.g. an electric door opener. The device does not supply power to the connected device. The power supply for the electric door opener must be installed separately.</p>  <p>i When wiring an electric door opener directly to a door station, there is a risk that the electric door opener could be tampered by unauthorized third parties (e. g. by breaking the door station and short-circuiting the wiring of the door opener). Therefore, we generally recommend the use of a remote safety relay mounted indoors (e. g. DoorBird I/O Door Controller A1081) for wiring an electric door opener for a more secure installation in your home.</p>
REL2, REL2	<p>Bi-stable latching relay #2, max. 24 V DC/AC, 1 Ampere. Security feature: The relay keeps its state even in the case of loss of power. You can configure the default state of the relay (open/close) via the DoorBird App. These ports can be used to connect e.g. an electric door opener. The device does not supply power to the connected device. The power supply for the electric door opener must be installed separately.</p>  <p>i When wiring an electric door opener directly to a door station, there is a risk that the electric door opener could be tampered by unauthorized third parties (e. g. by breaking the door station and short-circuiting the wiring of the door opener). Therefore, we generally recommend the use of a remote safety relay mounted indoors (e. g. DoorBird I/O Door Controller A1081) for wiring an electric door opener for a more secure installation in your home.</p>
BELL, BELL	<p>NOTICE Reserved - Do not use!</p>
EXT, EXT	<p>Door opener button, max. 0 V DC/AC, 0 Ampere. These ports can be used to connect e.g. a door opener button inside the home. It will trigger the first bi-stable latching relay of the device (REL1, REL1).</p>  <p>NOTICE Please make sure to add no voltage on these ports. Extra voltage may destroy the device immediately.</p>
15 VDC -	<p>15 V DC Power supply input, negative pole (-). Please connect the black wire of the power supply unit (mains adaptor) supplied with the device here, if you do not power the device using PoE.</p> <p>NOTICE Do not power the device simultaneously via the power supply from the power supply unit (mains adaptor) and the power supply via PoE.</p>
15 VDC +	<p>15 V DC Power supply input, positive pole (+). Please connect the red wire of the power supply unit (mains adaptor) supplied with the device here, if you do not power the device using PoE.</p> <p>NOTICE Do not power the device simultaneously via the power supply from the power supply unit (mains adaptor) and the power supply via PoE.</p>



Only related for devices with call button(s):

4 PIN (SWITCH)

Use the yellow cable to connect the button to the IP Video Door Station.



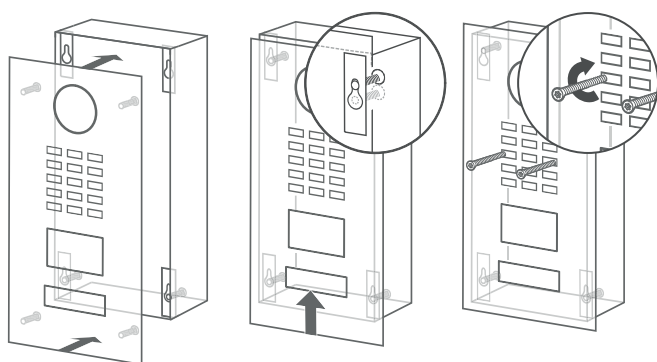
Please take care when connecting the cables and wires. Connecting the cables and wires the wrong way may damage the device. Wires without insulation material must not protrude out of the green screw connection terminal, it may lead to electrical short and damage the device.



The yellow, green, and red cables that lead out from the side of the Main Electrical Unit must only be used to connect components certified by Bird Home Automation.

STEP 8: ASSEMBLING THE FRONT PLATE

Assemble the front plate of the device to the mounting housing (backbox) of the device.



- 1.) Pull the front panel into the mounting housing (backbox)
- 2.) Push the front panel up.
- 3.) Insert the security screws.

STEP 9: ACTIVATING THE DEVICE

Switch on the power leading to the assembly location again. If you use PoE, make sure to switch on power of the PoE-Switch or PoE-Injector you have connected the device to.



Do not power the device simultaneously via the power supply from the power supply unit (mains adaptor) and the power supply via PoE.

You can see if the device is powered by checking the Diagnostic-LED, which lights up after about 30 to 60 seconds after the power is connected. The device is ready for operation (booting up process, any software updates, etc.) once it has emitted a short diagnosis sound from the integrated loudspeaker. This may last for up to 5 minutes. If the Diagnostic LED does not light up, please check the power supply. Please also check whether you have used a wall-plug power supply and not PoE and whether you have connected the positive pole and negative pole to the device correctly.

STEP 10: DOWNLOADING AND INSTALLING THE APP

Download the "DoorBird" App by Bird Home Automation onto your mobile device from the Apple App Store or Google Play Store. You can always find the most up-to-date version of the App manual on www.doorbird.com/support

Go to DoorBird App "Settings > Add device" and click on the QR code icon in the "User" field. Scan the user QR code found on the "Digital Passport" provided with the device.

If you have problems adding the device to the App please check if the device is online (www.doorbird.com/checkonline). If the device is not online, please check the network connection and the power supply of the device.

DIAGNOSTIC-LED

You can see if the device is powered by checking the Diagnostic-LED, which lights up after about 30 to 60 seconds after the power is connected.

DIAGNOSTIC-SOUNDS

After around one to five minutes, the device emits brief diagnostic sounds after it has been connected to the power grid.

MOTION SENSOR

The device has a built-in Motion Sensor with 4D Technology. You can use it for numerous applications, e. g. to send an alarm to a mobile device or to switch a relay to turn on an outdoor light.

RFID READER

The built-in RFID reader can be used for many applications, e.g. to open/lock doors or arming/disarming your alarm system. For security reasons, the RFID reader has a very short range (0 - 3 cm, 0 - 1.18 in), so you must place the compatible RFID tag (key fob) very close to the RFID reader. You can configure the RFID reader using the DoorBird App.



The RFID reader works only on short distance, for security reasons.

API

The device features a well documented API for third-party integration. For information, terms and conditions see www.doorbird.com/api

DOORBIRD CONNECT

The device features many options to integrate it into third-party applications. For information, terms and conditions see www.doorbird.com/connect

CHANGING THE LABEL OF A CALL BUTTON NAMEPLATE

Applies only to devices with 1 and more illuminated call buttons with nameplate.

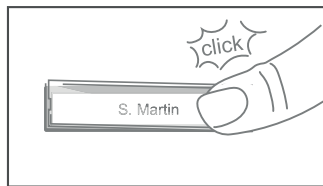
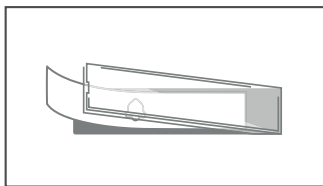
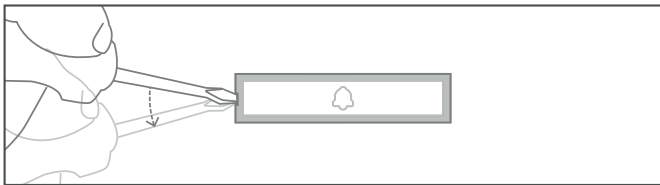
Engraving Service



Engraving service for a modern and clean appearance: www.doorbird.com/engraving



Please follow STEP 1 to switch off power. We recommend to use a thin slot screwdriver to remove the cover of the nameplate. We recommend to use white paper for the label which does not absorb moisture.



CHANGING THE LABEL OF THE INFO MODULE



Applies only to devices with Info Module.

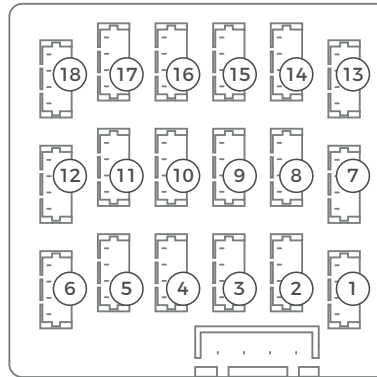
Please follow STEP 1 to switch off power and STEP 2 to open the device. You can then change the labeling of the Info Module in the inside. We recommend to use white paper for the label which does not absorb moisture.

CONNECTING CALL BUTTONS TO THE MULTI TENANT MODULE



Applies only to devices with 2 and more illuminated call buttons with nameplate.

Connect only call buttons to the Multi Tenant Module (e.g. Multi Tenant Module MTM18A) certified by Bird Home Automation.




- ① = 1. call button jack
- ⑱ = 18. call button jack

MAINTENANCE FOR DOORBIRD PRODUCTS

Cleaning and maintenance instructions

All DoorBird door stations are made of high-quality materials and are designed for a durable lifetime. Since door stations are usually installed in unprotected outdoor areas, they are exposed to adverse weather conditions and aggressive substances, especially close to frequently used roads, in coastal and industrial areas. Therefore please consider the following care instructions. Unfortunately, we cannot accept any liability for damage if these instructions are not being observed.

Aggressive dirt such as bird droppings should be removed as quickly as possible.

 **NOTICE** Never use abrasive detergents such as steel wool or scouring milk!

Warm water is usually sufficient, if necessary with a little detergent, a soft cloth or brush. Plastic parts (camera or name tags) must not be treated with metal care products. Remove all residues of cleaning agents or lubricants to avoid stains or discolouration after the maintenance.

Stainless Steel

Only high-quality German stainless steel is used for all available DoorBird door stations. However, high-quality stainless steel can also rust, as approx. 70 % of stainless steel is made of iron. Rust resistance is only achieved by a protective layer (also called passive layer), which covers the iron like a skin. This protective layer consists essentially of chromium and other precious metals.

Iron particles, grinding dust and chips deposited on stainless steel can lead to corrosion (rust film). These iron particles can be found everywhere, but especially in coastal and industrial areas and close to frequently used roads. Please remove ferrous deposits immediately, as they will attack your door station and lead to real rust if not removed. To remove rust, simply wipe off the dust; in addition, a care product is recommended, e.g. WD 40, available e.g. at Amazon for less than € 5.00. Simply apply in a thin layer and rub in. The same applies if rust appears on the engravings on the stainless steel surface.

Cement or lime splashes should be carefully removed as soon as possible with a wooden spatula before hardening.

The following cleaning detergents are not to be used as they reduce corrosion resistance:

- products containing chloride and hydrochloric acid
- Bleach (in case of accidental use, rinse thoroughly with water)
- Silver polish

After the cleaning with clear water wipe with damp cloth and rub dry to avoid lime traces. Lime residues can be avoided by using demineralised water.

Stainless steel PVD coated

PVD coated, chrome-plated or gold-plated surfaces are recommended to be cleaned with a grease-dissolving detergent and clear water or with a clean and dust-free microfibre cloth. For high-gloss surfaces, use a scratch-free cloth (e.g. cleaning cloth for glasses, furniture polishing cloth, etc.).

Lacquered surfaces

Clean painted surfaces and lettering with a soft, scratch-free cloth moistened with a mild soap solution (e.g. cleaning cloth for glasses, furniture polishing cloth, etc.). To prevent stains or discolouration, the detergents should be wiped off without leaving any residue. Be particularly careful with lettering in order not to damage the film or the print.

TECHNICAL SPECIFICATIONS

GENERAL	
Power supply	15 V DC (max. 15 W) or Power over Ethernet (PoE 802.3af Mode-A)
Info Module*	3.5", illuminated
Display Module*	3.5" LCD (no touch function), illuminated, for the display of a 2-line free text and the name directory (max. 100 entries)
Keypad Module*	16 keys, illuminated, configurable via App, e.g. <ul style="list-style-type: none"> • Individual PIN codes • Individual events (e.g. switch a relay, push notification, SIP call [audio/video], HTTP(s) request) • Individual schedules • Up to 100 PIN codes manageable
Connectors	<ul style="list-style-type: none"> • RJ45, for LAN/PoE • Bi-stable latching relay #1, max. 24 V DC/AC, 1 Ampere, e.g. for electric door opener • Bi-stable latching relay #2, max. 24 V DC/AC, 1 A, e.g. for electric door opener • External input for external door opener button (potential-free) • 15 V DC input (+, -), max. 15 W • Relays can be expanded / detached with DoorBird I/O Door Controller
Weather-proof	Yes, IP65
Approvals	IP65, CE, FCC, IC, RoHS, IK08, REACH, IEC/EN 62368, IEC/EN 62471
Operating conditions	-25 to +55°C / -13 to 131°F Humidity 10 to 85 % RH (non-condensing)
Scope of delivery	1x Main Electrical Unit 1x Front panel* 1x Mounting housing (backbox)* 1x Power supply unit (mains adaptor) with four country-specific outlet adaptors (110 - 240 V AC to 15 V DC) 1x RFID key fob 1x Screwdriver 1x Quickstart guide with Digital Passport 1x Installation manual 1x Small parts
Warranty	see www.doorbird.com/warranty

CURRENT SYSTEM REQUIREMENTS

System requirements	<p>Mobile device: Newest iOS on iPhone/iPad, newest Android on Smartphone/Tablet</p> <p>Internet: High-Speed Landline Broadband Internet connection, DSL, cable or fiber optic, no socks or proxy server</p> <p>Network: Ethernet Network, with DHCP</p>
Recommended installation height	Camera lens should be at a min. height of 145 cm (57 in). Before the installation please determine your optimal installation height.

VIDEO

Camera	HDTV 720p, dynamic (VGA – HDTV)
Lens	High-end ultra wide-angle hemispheric lens 180° (D), 140° (H), 100° (V), straightened, IR-capable
Night-vision	Yes, light sensor, automatic IR-cut filter, 12 Infrared LEDs (850 nm)

AUDIO

Audio components	Speaker and microphone, noise reduction and echo cancellation (ANR, AEC)
Audio streaming	Two-way, full duplex

NETWORK

Ethernet	RJ45 jack, PoE 802.3af Mode-A, 10/100 Base-T
Supported protocols	HTTP, HTTPS, SSL/TLS, Bonjour, DNS, RTSP, RTP, TCP, UDP, RTCP, ICMP, DHCP, ARP, SIP, DTMF (RTP [RFC-2833], SIP INFO [RFC-2976]), STM

MOTION SENSOR

Type	Active
Detection angle	54° (H), 70° (V)
Range	1 - 10 m (3.3 - 32.9 ft), depends on environment, configurable in 1 m (3.3 ft) steps.
Technology	4D. Based on multiple integrated sensors and algorithms, e.g. Radio Frequency Energy (RFE)
Configuration	<p>Via App, e.g.</p> <ul style="list-style-type: none"> • Range (1 - 10 m / 3.3 - 32.9 ft) • Movement direction (coming, leaving, both) • Individual events (e.g. switch a relay, push notification, SIP call [audio/video], HTTP(s) notification) • Individual schedules

RFID	
Type	Active Reader Passive Tag (ARPT) system
Standard	ISO/IEC 18000-2:2009 Part 2, EM4100, EM4102
Frequency	125 KHz
Range	0 - 3 cm, depends on environment
Antenna	Internal
Compatible Transponder	RFID key fobs, sold separately, see www.doorbird.com/buy Up to 100 tags manageable
Configuration	Via App, e.g. • Tag (add, delete) • Individual events (e.g. switch a relay, push notification, SIP call [audio/video], HTTP(s) notification) • Individual schedules

INTEGRATED WIRELESS MODULES

RFID	125 KHz
Sensor	24 GHz, can be disabled

THIRD-PARTY INTEGRATION (DOORBIRD CONNECT)

Partnerintegrations	see www.doorbird.com/connect
API	see www.doorbird.com/api
Simultaneous video streams	One, for event-based and continuous recording

OPTIONAL ACCESSORIES

Sold separately	see www.doorbird.com/buy
-----------------	--

Errors and omissions excepted.

LEGAL NOTES

General remarks

1. DoorBird is a registered trademark of Bird Home Automation GmbH.

2. Apple, the Apple logo, Mac, Mac OS, Macintosh, iPad, Multi-Touch, iOS, iPhone and iPod touch are trademarks of Apple Inc.

3. Google, Android and Google Play are trademarks of Google, Inc.

4. The Bluetooth® word mark and logos are registered trademarks of Bluetooth SIG, Inc.

5. All other company and product names may be trademarks of the respective companies with which they are associated.

6. We reserve the right to make changes to our products in the interests of technical advancement. The products shown may also look different from the products supplied based on ongoing enhancement.

7. Reproducing or using texts, illustrations and photos from this instruction manual in any media – even if only in the form of excerpts – shall only be permitted with our express written consent.

8. The design of this manual is subject to copyright protection. We do not accept any liability for any errors or any erroneous content or printing errors (even in the case of technical specifications or within graphics and technical sketches).

9. Our products are in compliance with all technical guidelines, electrical and telecommunications regulations applicable in Germany, the EU and the USA.

Data privacy and data security

1. For maximum security, the device uses the same encryption technologies as are used in online banking. For your security, no port forwarding or DynDNS is used either.

2. The data centre location for remote access over the Internet by means of an App is obligatory in the EU if the determined Internet IP-Address location of the device is within the EU. The data centre is operated in line with the most stringent security standards.

3. Video, audio and any other surveillance methods can be regulated by laws that vary from country to country. Check the laws in your local region before installing and using this device for surveillance purposes.

If the device is a door-, indoor station or camera:

- In many countries video and voice signal may only be transmitted once a visitor has rung the bell (data privacy, configurable in the App).
- Please carry out the mounting in such a way that the detection range of the camera limits the device exclusively to the immediate entrance area.
- The device may come with a visitor history and motion sensor. You can activate/deactivate this function if required.

If necessary, indicate the presence of the device in a suitable place and in a suitable form.

Please observe any relevant country-specific statutory regulations concerning the use of surveillance components and surveillance cameras applicable at the installation site.

Check with the property owner and your house community if you are allowed to install and use this product. Bird Home Automation GmbH cannot be held responsible for any miss-use or miss-configuration of this product, including the unauthorized opening of a door.

Bird Home Automation cannot be held responsible for damages caused by improper existing installations or improper installation.

Software and operating system's updates (so-called "firmware updates") are generally automatically installed on the products of Bird Home Automation GmbH via Internet, if technically possible. Automatic firmware updates keep the products' software up to date so that they always work reliably, safely and efficiently. Through further development, features can be added, extended or slightly changed. Major changes or limitations to existing features will generally occur if Bird Home Automation GmbH deems it necessary (e.g. for data protection, data security or stability reasons, or to keep them up to date). When a firmware update is available, Bird Home Automation GmbH's servers generally automatically distribute it to all compatible products connected to the Internet or Bird Home Automation GmbH's servers. This process is gradual and can take several weeks. As soon as a product receives a firmware update, the system will be installed and will restart by itself. Installed firmware updates cannot be undone. Since the products and software of Bird Home Automation GmbH are not explicitly customer-specific products, a customer cannot deny an automatic update if the product is connected to the Internet or to the Bird Home Automation GmbH's server.

Instructions for disposal

Do not dispose of the device with regular domestic waste. Electronic equipment must be disposed e.g. at local collection points for waste electronic equipment in compliance with the Waste Electrical and Electronic Equipment Directive.

Publisher

Bird Home Automation GmbH
Uhlandstraße 165
10719 Berlin
Germany

Web: www.doorbird.com
Email: hello@doorbird.com

INSTALLATIONSANLEITUNG

Lesen Sie diese Anleitung sorgfältig, bevor Sie die Komponenten in Betrieb nehmen. Bewahren Sie die Anleitung zum späteren Nachschlagen auf!

Wenn Sie das Gerät anderen Personen zur Nutzung überlassen, übergeben Sie auch diese Bedienungsanleitung.

Die stets aktuelle Version der Installationsanleitung finden Sie unter www.doorbird.com/de/support

Zur Vereinfachung der Begriffe verwenden wir „Gerät“ für das Produkt „IP Video Türstation“ sowie „mobiles Endgerät“ für ein Smartphone/Tablet.

Haftung

Die Erstellung dieses Dokuments wurde sorgfältig vorbereitet. Bitte informieren Sie Bird Home Automation GmbH über etwaige Ungenauigkeiten oder Unterlassungen. Bird Home Automation GmbH kann nicht für technische oder typografische Fehler verantwortlich gemacht werden und behält sich das Recht vor, Änderungen an dem Produkt und den Handbüchern ohne vorherige Ankündigung vorzunehmen. Bird Home Automation GmbH übernimmt keinerlei Garantie in Bezug auf das in diesem Dokument enthaltene Material, einschließlich, aber nicht beschränkt auf die implizierten Garantien der Marktgängigkeit und Eignung für einen bestimmten Zweck. Bird Home Automation GmbH haftet nicht für Neben- oder Folgeschäden im Zusammenhang mit der Bereitstellung, Durchführung oder Verwendung dieses Materials. Das Gerät darf nur für den vorgesehenen Zweck verwendet werden.

Gerätemodifikationen

Dieses Gerät muss in Übereinstimmung mit den Anweisungen in der Installationsanleitung installiert und verwendet werden. Dieses Gerät enthält keine vom Benutzer zu wartenden Komponenten. Durch unbefugte Gerätemodifikationen oder Änderungen erlöschen alle anwendbaren Zertifizierungen und Zulassungen.

Verwendete Symbole



Achtung: Weist auf eine gefährliche Situation hin, die, falls nicht verhindert, zum Tod oder schweren Verletzungen führt.



Warnung: Weist auf eine gefährliche Situation hin, welche, falls nicht verhindert, zum Tod oder schweren Verletzungen führen kann.



Vorsicht: Weist auf eine gefährliche Situation hin, welche, falls nicht verhindert, zu geringfügiger oder mäßiger Verletzung führen kann.



Bitte beachten: Weist auf eine gefährliche Situation hin, welche, falls nicht verhindert, zu Sachschäden führen kann.



Wichtig: Weist auf wichtige Informationen hin, die den richtigen Betrieb des Produkts gewährleisten.



Hinweis: Weist auf nützliche Informationen hin, die die optimale Verwendung des Geräts unterstützen.

Gefahrenhinweise



WARNUNG

- Einbau, Montage und Servicearbeiten elektrischer Geräte dürfen ausschließlich durch eine Elektrofachkraft erfolgen. Bei Nichtbeachten besteht die Gefahr schwerer gesundheitlicher Schäden oder Lebensgefahr durch elektrische Stromschläge.
- Geräte mit 110-240 V Anschluss: Das Gerät darf nur an eine leicht zugängliche Netz-Steckdose angeschlossen werden. Bei Gefahr ist der Netzstecker zu ziehen.
- Benutzen Sie für die Stromversorgung des Gerätes ausschließlich das mitgelieferte Originalnetzteil oder einen in dieser Anleitung empfohlenen PoE-Switch/PoE-Injektor (sofern das Gerät PoE unterstützt).
- Durch elektrostatische Aufladung kann bei direktem Kontakt mit der Leiterplatte das Gerät zerstört werden. Vermeiden Sie daher ein direktes Berühren der Leiterplatte zu jeder Zeit.
- Norm EN 60065 bzw. EN 60950 bzw. EN 62368 beachten.
- Verwenden Sie das Gerät nicht, wenn es von außen erkennbare Schäden z. B. am Gehäuse, an Bedienelementen oder an den Anschlussbuchsen bzw. eine Funktionsstörung aufweist. Im Zweifelsfall lassen Sie das Gerät von einer autorisierten Fachkraft prüfen.
- Öffnen Sie das Gerät nicht. In solchen Fällen erlischt jeder Gewährleistungsanspruch! Für Folgeschäden übernehmen wir keine Haftung! Das Gerät enthält keine durch den Anwender zu wartenden Teile. Im Fehlerfall lassen Sie das Gerät von einer autorisierten Fachkraft prüfen.
- Aus Sicherheits-, Zulassungs- und Lizenzgründen (CE/FCC/IC etc.) ist das eigenmächtige Umbauen und/oder Verändern des Gerätes nicht gestattet.



WARNUNG

- Das Gerät ist kein Spielzeug! Erlauben Sie Kindern nicht damit zu spielen. Lassen Sie das Verpackungsmaterial nicht achtlos liegen. Plastikfolien/-tüten, Styroporsteile etc. können für Kinder zu einem gefährlichen Spielzeug werden.
- Verlegen Sie Kabel stets so, dass diese keine Gefährdungen für Menschen und Haustiere darstellen.
- An Teilen im Gerät liegt Spannung an. Berühren Sie keine Teile, die nicht mit der Installation, der Verdrahtung oder dem Anschluss verbunden sind. Elektrische Stromschläge können die Folge sein.
- Halten Sie die Geräte von Wasser oder anderen Flüssigkeiten fern, die nicht als wetterfest gekennzeichnet sind.
- Führen Sie keine Installation durch und stellen Sie keine Verbindungen her, während die Stromversorgung eingeschaltet ist. Beschädigungen am Gerät oder elektrische Stromschläge können die Folge sein.
- Bevor Sie die Stromversorgung einschalten, stellen Sie sicher, dass die Drähte nicht gekreuzt oder kurzgeschlossen sind. Feuer oder elektrische Stromschläge können die Folge sein.
- Hochspannung kann intern vorhanden sein. Öffnen Sie das Gerät nicht. Elektrische Stromschläge können die Folge sein.
- Das Gerät ist nicht explosionsgeschützt. Nicht in der Nähe von Gasen oder brennbaren Materialien installieren oder verwenden. Feuer oder Explosion können entstehen.
- Installieren Sie nicht zwei Stromversorgungen parallel zu einem einzigen Eingang. Feuer oder Beschädigung des Gerätes können entstehen. Achten Sie darauf, nur ein einziges Netzteil an das Gerät anzuschließen.
- Schließen Sie keinen Anschluss am Gerät an eine Netzstromleitung an. Feuer oder elektrische Stromschläge können die Folge sein.
- Stellen Sie sicher, dass das Netzkabel nicht beschädigt oder gequetscht ist. Wenn das Netzkabel gebrochen ist, kann es zu einem Brand oder elektrischen Stromschlag kommen.
- Nichts mit nassen Händen anstecken oder abziehen. Elektrische Stromschläge können die Folge sein.
- Führen Sie kein Metall oder brennbares Material in das Gerät. Feuer, elektrische Stromschläge oder Gerätestörungen können die Folge sein.
- Bestehende Verdrahtungen können Hochspannungs-Wechselstrom enthalten. Schäden am Gerät oder elektrische Stromschläge können auftreten. Die Verdrahtung und Installation muss von einem qualifizierten Elektriker durchgeführt werden.
- Gerätemontage an Wand oder Decke: Vermeiden Sie Installationsorte, an denen das Gerät Erschütterungen oder Stößen ausgesetzt ist.
- Bei Geräten mit Erdungsklemmen muss eine Erdung angeschlossen werden. Feuer oder Gerätestörungen können die Folge sein.
- Bei Geräten mit Kunststoffglas oder Echtglas, keinen hohen Druck auf das Glas ausüben. Bei Bruch kann es zu Verletzungen kommen.
- Bei Geräten mit LCD, wenn LCD beschädigt ist, nicht mit dem Flüssigkristall in Kontakt kommen. Verletzungen können die Folge sein. Wenn nötig, spülen Sie den Mund aus, reinigen Sie Ihre Augen oder Haut mit klarem Wasser für mindestens 15 Minuten und wenden Sie sich an Ihren Arzt.
- Bringen Sie nichts auf dem Gerät an und verdecken Sie das Gerät nicht mit einem Tuch, Silikon, Klebstoff, Farbe, separater Abdeckung etc. Es können Feuer- oder Gerätestörungen auftreten.
- Installieren Sie das Gerät nicht an einer der folgenden Orte. Feuer, Stromschlag oder Gerätestörungen können die Folge sein.
 - Orte unter direktem Sonnenlicht oder Orte in der Nähe von Heizgeräten, die in der Temperatur variieren.
 - Orte mit Staub, Öl, Chemikalien, Schwefelwasserstoff (heiße Quellen).
 - Orte, die extremer Feuchtigkeit und Luftfeuchtigkeit ausgesetzt sind, wie Bäder, Keller, Gewächshäuser, etc.
 - Orte, an denen die Temperatur extrem niedrig ist, wie z. B. in einem gekühlten Bereich oder vor einer Klimaanlage.
 - Orte, die Dampf oder Rauch ausgesetzt sind (z.B. in der Nähe von Heiz- oder Kochflächen).
 - Orte, an denen Geräusch erzeugende Geräte wie Dimmschalter oder Wechselrichter-Elektrogeräte in unmittelbarer Nähe sind.

- Orte, die häufigen Vibrationen oder Stößen ausgesetzt sind.
- Bei Geräten mit Gegensprechfunktion ist darauf zu achten, dass ein Anruftest durchgeführt wird, bei dem beide Gegensprechgeräte auf geringer Lautstärke eingestellt sind. Ein plötzlicher Anruf etc. kann ankommen und das Gehör schädigen.
- Wenn das Gerät nicht ordnungsgemäß funktioniert, ziehen Sie den Netzstecker aus der Steckdose.
- Alle Geräte, die nicht als wetterfest gekennzeichnet sind, sind nur für den Innenbereich konzipiert und nicht im Freien zu benutzen.
- Geräte, die als wetterfest gekennzeichnet sind, nicht mit Hochdruckwasser besprühen. Gerätestörungen können die Folge sein.
- Bei Sach- oder Personenschäden, die durch unsachgemäße Handhabung oder Nichtbeachten der Gefahrenhinweise verursacht werden, übernehmen wir keine Haftung. In solchen Fällen erlischt jeder Gewährleistungsanspruch! Für Folgeschäden übernehmen wir keine Haftung.

Sicherheitsanweisungen



- Die Verwendung des Geräts muss unter Beachtung der örtlich geltenden rechtlichen Bestimmungen erfolgen.
- Lagern Sie das Gerät in einer trockenen und belüfteten Umgebung.
- Achten Sie darauf, dass das Gerät weder Stößen noch starkem Druck ausgesetzt ist.
- Installieren Sie das Gerät nicht an instabilen Halterungen, Oberflächen oder Wänden. Stellen Sie sicher, dass das Material stabil genug ist, um das Gewicht des Geräts zu tragen.
- Verwenden Sie bei der Installation des Geräts ausschließlich passende Werkzeuge. Ein zu großer Kraftaufwand mit Werkzeugen kann das Gerät beschädigen.
- Verwenden Sie keine chemischen, ätzenden oder aerosolhaltigen Reinigungsmittel.
- Verwenden Sie zum Reinigen ein sauberes, trockenes Tuch.

- Verwenden Sie nur Zubehör, das den technischen Daten des Geräts entspricht. Dieses ist von Bird Home Automation GmbH erhältlich.
- Verwenden Sie ausschließlich Ersatzteile die von Bird Home Automation GmbH bereitgestellt oder empfohlen werden.
- Versuchen Sie nicht, das Gerät selbstständig zu reparieren. Wenden Sie sich bezüglich Reparatur und Wartung an Bird Home Automation GmbH.
- Halten Sie das Gerät mehr als 1 m (3,3“) entfernt von Mikrowelle, Radio, TV, WLAN Router und anderen drahtlosen Geräten.
- Bei Geräten mit Gegensprechfunktion oder eingebautem Lautsprecher oder eingebautem Mikrofon oder Signalübertragungsfunktion, installieren Sie die Drähte mehr als 30 cm (12“) entfernt von 100-240 V Wechselstromverdrahtung. Ansonsten können Wechselstrominduzierte Geräusche und/oder Geräte-Störungen auftreten.
- Installieren Sie das Gerät in einem Bereich, der für zukünftige Inspektionen, Reparaturen und Wartungen zugänglich ist.
- Wenn das Gerät in der Nähe eines Mobiltelefons verwendet wird, kann das Gerät gestört werden.
- Das Gerät kann beschädigt werden, wenn es fallen gelassen wird. Mit Vorsicht behandeln.
- Das Gerät wird während eines Stromausfalls außer Betrieb gesetzt.
- Bei Geräten mit Gegensprechfunktion oder eingebautem Lautsprecher oder eingebautem Mikrofon kann das Gerät in Bereichen, in denen Antennen von Mobilfunksendern, Radio- oder TV-Sendern in der Nähe sind, beeinträchtigt werden.
- Bei Geräten mit LCD-Bildschirm muss im Voraus darauf hingewiesen werden, dass bei einem LCD-Panel, obwohl es mit sehr hohen Präzisionstechniken hergestellt wird, unvermeidlich ein sehr kleiner Teil seiner Bildelemente nicht immer beleuchtet oder gar nicht beleuchtet wird. Dies gilt nicht als Gerätefehler.
- Bei Geräten mit Gegensprechfunktion können Umgebungsgeräusche um das Gerät herum eine reibungslose Kommunikation behindern. Dies ist keine Fehlfunktion.
- Bei Geräten mit Benutzername/Passwort ist der Anwender für den Zugriff mittels Benutzername/Passwort auf das Gerät verantwortlich. Vergewissern Sie sich ein Passwort zu verwenden, das von einem Dritten nicht leicht erraten

NOTICE

werden kann. Wir empfehlen Ihnen, das Passwort regelmäßig zu ändern.

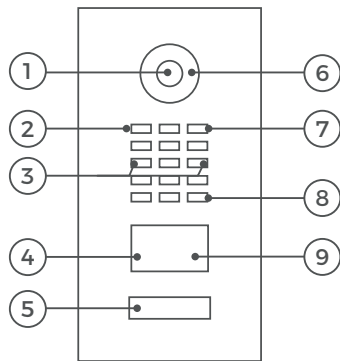
- Wir haften unter keinen Umständen für Schäden, die aufgrund von Fehlern in der Stromversorgung, Netzwerkgeräten oder Endgeräten auftreten; Ausfälle aufgrund von Internetanbietern und Mobilfunkanbietern; Ausfälle aufgrund von getrennten oder gestörten Leitungen und andere Übertragungsverluste, die es unmöglich machen, unseren Dienst zu erbringen, sowie allen anderen Ursachen die außerhalb unserer Verantwortung liegen; Oder, wenn während der Übertragung ein Fehler oder fehlende Daten auftreten.

Transport**NOTICE**

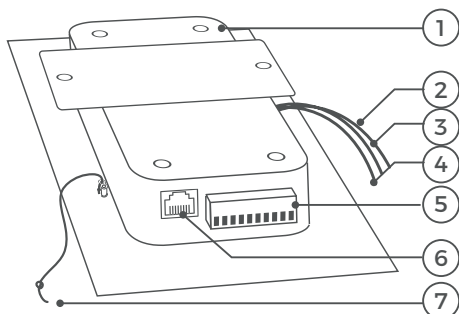
Bei Bedarf transportieren Sie das Gerät in der Originalverpackung oder einer entsprechenden Verpackung, so dass Schäden vermieden werden.

Gewährleistung

Informationen zur Gewährleistung des Geräts finden Sie unter www.doorbird.com/de/warranty

GERÄT MIT EINER RUFTASTE**Vorderseite**

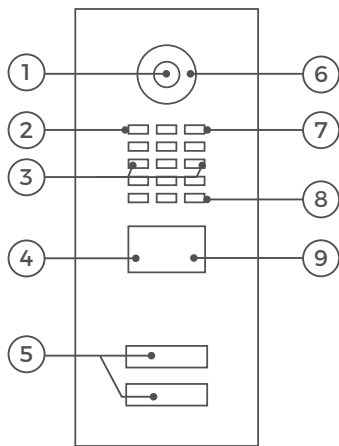
- | | |
|---|--------------------|
| 1) HDTV Video | 6) Nachtsicht LEDs |
| 2) Lichtsensor
Für den
Nachtsichtmodus | 7) Mikrofon |
| 3) Sicherheitsschrauben | 8) Lautsprecher |
| 4) Bewegungssensor | 9) RFID Leser |
| 5) Beleuchtete Ruftaste
mit Namensschild
Die Beleuchtung
agiert auch gleichzeitig
als Diagnose LED(s) | |

Innen

- | | |
|---|--|
| 1) Elektrische
Haupteinheit | 5) Schraubklemmen-
block |
| 2) Gelbes Kabel
für Ruftaste | 6) LAN/PoE Buchse |
| 3) Rotes Modul
Port 1 Kabel
Zum Anschluss des
Keypad Moduls
(nicht verwendet) | 7) Nylonschnur
Zur Sicherung der
Frontblende
während der
Montage |
| 4) Grünes Modul
Port 2 Kabel
Zum Anschluss
des Display Moduls
(nicht verwendet) | |

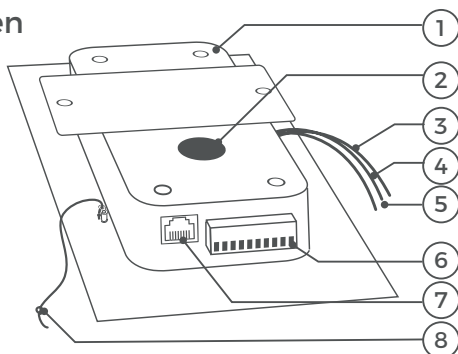
GERÄT MIT 2 UND MEHR RUFTASTEN

Vorderseite

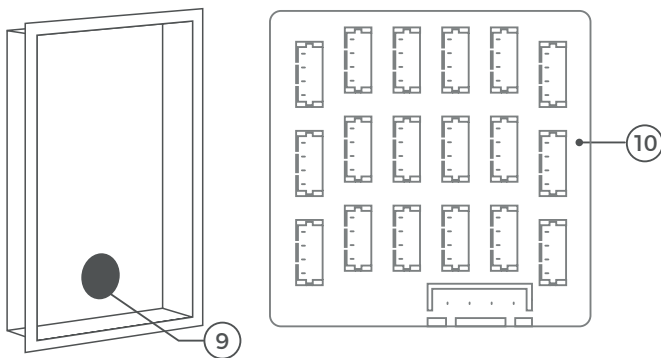


- 1) HDTV Video
- 2) Lichtsensor Für den Nachtsichtmodus
- 3) Sicherheitsschrauben
- 4) Bewegungssensor
- 5) Beleuchtete Ruftaste mit Namensschild Die Beleuchtung agiert auch gleichzeitig als Diagnose LED(s)
- 6) Nachtsicht LEDs
- 7) Mikrofon
- 8) Lautsprecher
- 9) RFID Leser

Innen

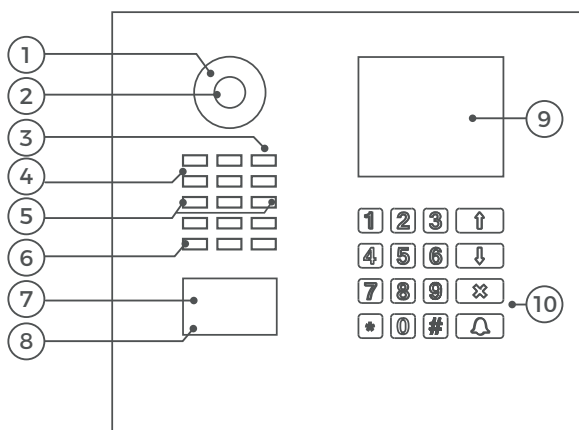


- 1) Elektrische Haupteinheit
- 2) Flauschpunkt 1 Zur temporären Befestigung des Mehrparteien Moduls
- 3) Gelbes Kabel für Ruftaste (nicht verwendet)
- 4) Rotes Modul Port 1 Kabel Zum Anschluss des Mehrparteien Moduls (z.B. Multi Tenant Module MTM18A)
- 5) Grünes Modul Port 2 Kabel (nicht verwendet)
- 6) Schraubklemmenblock
- 7) LAN/PoE Buchse
- 8) Nylonschnur Zur Sicherung der Frontblende während der Montage
- 9) Flauschpunkt 2 Zur permanenten Befestigung des Mehrparteien Moduls
- 10) DoorBird Multi Tenant Module MTM18A



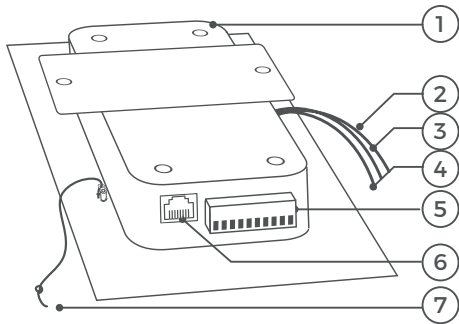
GERÄT MIT DISPLAY MODUL UND KEYPAD MODUL

Vorderseite



- 1) Nachtsicht LEDs
- 2) HDTV Video
- 3) Mikrofon
- 4) Lichtsensor Für den Nachtsichtmodus
- 5) Sicherheitsschrauben
- 6) Lautsprecher
- 7) RFID Leser
- 8) Bewegungssensor
- 9) Display Modul
- 10) Keypad Modul Die Beleuchtung agiert auch gleichzeitig als Diagnose LED(s)

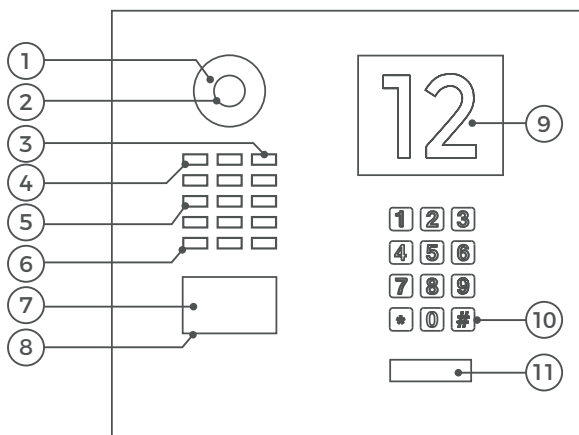
Innen



- 1) Elektrische Haupteinheit
- 2) Gelbes Kabel für Ruftaste (nicht verwendet)
- 3) Rotes Modul Port 1 Kabel Zum Anschluss des Keypad Moduls
- 4) Grünes Modul Port 2 Kabel Zum Anschluss des Display Moduls
- 5) Schraubklemmenblock
- 6) LAN/PoE Buchse
- 7) Nylonschnur Zur Sicherung der Frontblende während der Montage

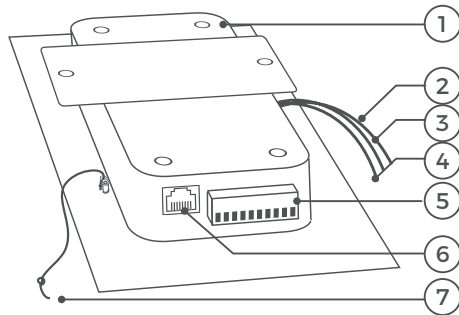
GERÄT MIT INFO MODUL UND KEYPAD MODUL

Vorderseite



- 1) Nachtsicht LEDs
- 2) HDTV Video
- 3) Mikrofon
- 4) Lichtsensor Für den Nachtsichtmodus
- 5) Sicherheitsschrauben
- 6) Lautsprecher
- 7) RFID Leser
- 8) Bewegungssensor
- 9) Info Modul
- 10) Keypad Modul Die Beleuchtung agiert auch gleichzeitig als Diagnose LED(s)
- 11) Beleuchtete Ruftaste mit Namensschild Die Beleuchtung agiert auch gleichzeitig als Diagnose LED(s)

Innen



- 1) Elektrische Haupteinheit
- 2) Gelbes Kabel für Ruftaste (nicht verwendet)
- 3) Rotes Modul Port 1 Kabel Zum Anschluss des Keypad Moduls
- 4) Grünes Modul Port 2 Kabel Zum Anschluss des Info Moduls
- 5) Schraubklemmenblock
- 6) LAN/PoE Buchse
- 7) Nylonschnur Zur Sicherung der Frontblende während der Montage

VIDEOS

Sie können sich durch die Installation mit unseren Installationsvideos auf www.doorbird.com/de/support begleiten lassen. In den Videos wird jeder Installationsschritt einzeln und gut dokumentiert dargestellt.

INSTALLATION

Alle folgenden Schritte sollten von einem fachkundigen Erwachsenen sorgsam und unter Berücksichtigung sämtlicher geltender Schutzvorschriften durchgeführt werden. Sollten Sie Fragen haben,

wenden Sie sich bitte direkt an uns oder einen kompetenten Fachmann. Achten Sie darauf, dass alle Drähte, die Sie für die Installation verwenden, über die gesamte Länge unbeschädigt und für die Verwendungsart zugelassen sind.

Netzwerkgeschwindigkeit und Netzwerkkomponenten

Stellen Sie sicher, dass Ihre Internetverbindung über mindestens 0,5 Mbit/s Uploadgeschwindigkeit verfügt. Sie können über die DoorBird App jederzeit auch einen Geschwindigkeitstest durchführen. Das Nutzererlebnis ist nur so gut wie die Netzwerkge-

schwindigkeit, Netzwerkstabilität und Qualität Ihrer Netzwerkkomponenten, wie z.B. Ihr Internet Router und WLAN Access Points oder WLAN Repeater. Stellen Sie sicher, dass Ihre Netzwerkkomponenten nicht älter als 2 Jahre sind, von einem namhaften Hersteller gefertigt wurden und über die neuste Firmware verfügen. Sind diese Voraussetzungen nicht erfüllt, kann es z.B. dazu kommen, dass Audio- und Videoverbindungen schlecht sind oder Push-Nachrichten verzögert oder gar nicht auf Ihrem Smartphone oder Tablet ankommen.

Anforderungen:

High Speed Internet (Festnetz): DSL, Kabel oder Glasfaser
Netzwerk: Ethernet Netzwerk, mit DHCP

SCHRITT 1: STROM ABSCHALTEN



Schalten Sie den Strom sämtlicher zum Montageort führenden Leitungen ab, d.h. z.B. den Strom für die Türstation, den Türgong, elektrischen Türöffner, PoE-Switch/PoE-Injektor etc.

SCHRITT 2: DEMONTAGE DER BESTEHENDEN TÜRKLINGEL

Demontieren Sie, falls an der Hauswand bereits vorhanden, die bestehende Türklingel bzw. Türstation.

SCHRITT 3: MONTAGEORT FESTLEGEN

Das Gerät verwendet eine hemisphärische Ultraweitwinkel Linse, so dass selbst bei einem minimalen Abstand der Person von 50 cm (19.68 in) zum Gerät eine geringe Montagehöhe ausreicht. Daher ist das Objektiv auch mechanisch nicht verstellbar. Die Kameralinse sollte sich auf einer Höhe von mindestens 145 cm (57 in) befinden. Sie sollten die korrekte Höhe vor der endgültigen Montage testen.

Bei der Auswahl des Montageortes sind die Lichtverhältnisse zu beachten. Vermeiden Sie direkte Sonneneinstrahlung, direkte Hintergrundbeleuchtung und reflektierende Oberflächen.

NOTICE Setzen Sie das Gerät keinem direktem Sonnenlicht aus. Die Gehäusetemperatur kann die maximal zulässige Temperaturgrenze überschreiten. Dies kann zu Beschädigungen elektrischer und mechanischer Komponenten des Geräts und zu Verletzungen führen, insbesondere bei der Berührung von Außenteilen des Geräts. Weiße und helle silberfarbene Frontblenden absorbieren weniger Sonnenlicht als dunkle.



Ein Bildsensor darf keiner direkten Sonneneinstrahlung über längere Zeit ausgesetzt werden. Direkte Sonneneinstrahlung lässt die Kamera „erblinden“ und kann die kleinen Farbfilter auf dem Bildsensorchip dauerhaft beschädigen.

NOTICE Ein durch direkte Sonneneinstrahlung hervorgerufener Defekt ist nicht von der Gewährleistung abgedeckt.

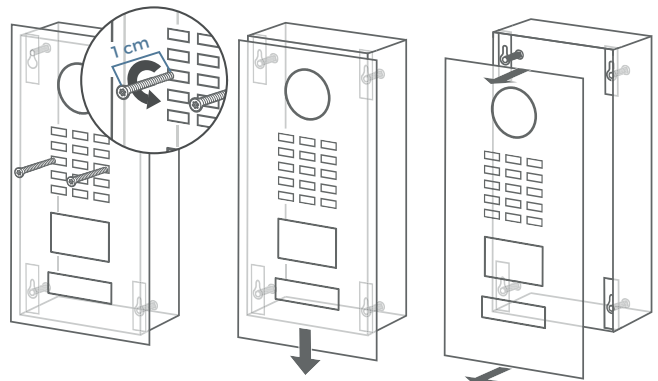
Das Netzwerkkabel zwischen dem Gerät und dem Internet Router/PoE-Switch/PoE-Injektor kann eine maximale Länge von 80 Metern/262 Fuß haben (IEEE 802.3).



Wenn Sie nur zwei Drähte am Montageort zur Verfügung haben, können Sie den „DoorBird 2-Draht Ethernet PoE Konverter A1071“ verwenden, der separat erhältlich ist. Er ermöglicht es Ihnen, Netzwerkdaten (Ethernet) und Strom (PoE) über eine einfache Zweidrahtleitung über weite Strecken hinweg zu übertragen. So können Sie Bestandsgebäude, die z.B. nur über einen einfachen zweiadrigen Klingeldraht verfügen, mit Netzwerktechnologie ausstatten, ohne hierfür nachträglich ein Netzwerkkabel verlegen zu müssen.

SCHRITT 4: FRONTBLENDE ENTFERNEN

Entfernen Sie die Frontblende mit der Haupteinheit vorsichtig mit dem mitgelieferten Schraubendreher vom Montagerückgehäuse.



1.) Sicherheits-schrauben
1 cm heraus-drehen.

2.) Frontblende
nach unten
ziehen.

3.) Frontblende
zu sich
heranziehen.

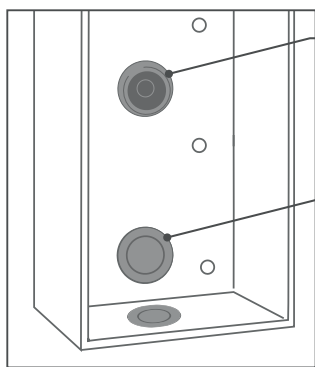
SCHRITT 5: MONTAGERÜCKGEHÄUSE MONTIEREN

Montieren Sie das Montagerückgehäuse an der Wand. Sie finden detaillierte Zeichnungen und Abmessungen im Datenblatt des entsprechenden Geräts.



Wenn Sie Löcher in die Wand bohren, Schrauben in die Wand drehen oder die Wand aufstemmen müssen: Stellen Sie sicher, dass sich keine Leitungen (z.B. Strom-, Gas- oder Wasserführende) in der Hauswand befinden.

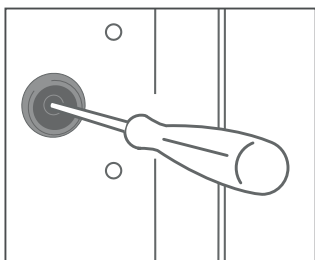
Montage des Aufputzgehäuses



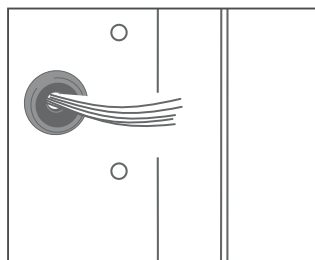
Dichtungsgummi für die Kabeldurchführung

Abdeckung für nicht genutzte Öffnungen

Setzen Sie das Dichtungsgummi für die Kabeldurchführung an die gewünschte Montageöffnung.



Stechen Sie mit einem Schraubenzieher durch die Mitte des Dichtungsgummis.



Führen Sie alle Kabel und Leitungen, die Sie an das Gerät anschließen möchten, durch das Dichtungsgummi.

SCHRITT 6: OPTIONEN ZUR STROMVERSORGUNG

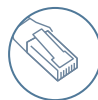
Das Gerät kann mit dem mitgelieferten Steckernetzteil (Option 1) oder per PoE (Power over Ethernet) über ein Netzwerkkabel (Option 2) mit Strom versorgt werden. Optional kann das Gerät auch mit einem Hutschienennetzteil, das Sie direkt von uns beziehen können, mit Strom versorgt werden. Das Gerät hat keine Batterie als Stromversorgung.



OPTION 1: STROMVERSORGUNG PER STECKERNETZTEIL

Zur Stromversorgung des Geräts per Steckernetzteil werden zwei isolierte Drähte benötigt. Das Steckernetzteil verfügt über ein 250 cm langes Kabel mit zwei isolierten Drähten.

NOTICE Stecken Sie das Steckernetzteil noch nicht in die Wandsteckdose. Verwenden Sie ausschließlich das mitgelieferte Steckernetzteil oder das von uns separat erhältliche Hutschienennetzteil, da diese speziell stabilisiert und mit einer integrierten Audio Störungsunterdrückung ausgestattet sind. Andere Netzteile können das Gerät zerstören oder eine schlechte Übertragungsqualität verursachen. Durch Verwenden eines anderen Netzteils erlischt automatisch die Gewährleistung.



OPTION 2: STROMVERSORGUNG PER POE

Zur Stromversorgung des Geräts per PoE-Switch (z.B. D-Link DGS-1008P) oder PoE-Injektor (z.B. DoorBird Gigabit PoE Injektor A1091) nach PoE Standard IEEE 802.3af Mode A werden die vier Drähte mit den Nummern 1, 2, 3 und 6 eines Cat.5 Netzwerkkabels oder besser benutzt. Es muss zwingend ein Cat.5 Netzwerkkabel oder besser zum Einsatz kommen, da Netzwerksignale nur über vollständig isolierte, abgeschirmte und verdrehte Kabel übertragen werden können. Wenn Sie PoE als Stromversorgung nutzen, sind vier Drähte für PoE dann gleichzeitig die Datenleitung. Sollte Ihr PoE-Switch oder PoE-Injektor keinen PoE Standard IEEE 802.3af Mode A unterstützen, wird das Gerät nicht starten (siehe Diagnose-LED und Diagnose-Töne).



1. Trennen Sie den vorgesehenen PoE-Switch oder PoE-Injektor vom Stromnetz.
2. Führen Sie das Netzwerkkabel zum Montageort des Geräts.

Weiterführende Informationen zu PoE finden Sie hier: <http://www.doorbird.com/de/poe>

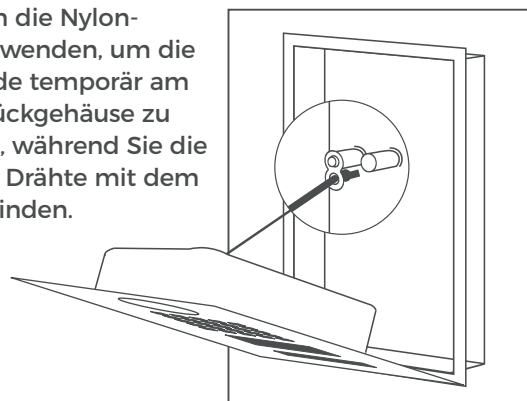
SCHRITT 7: GERÄT ANSCHLIESSEN

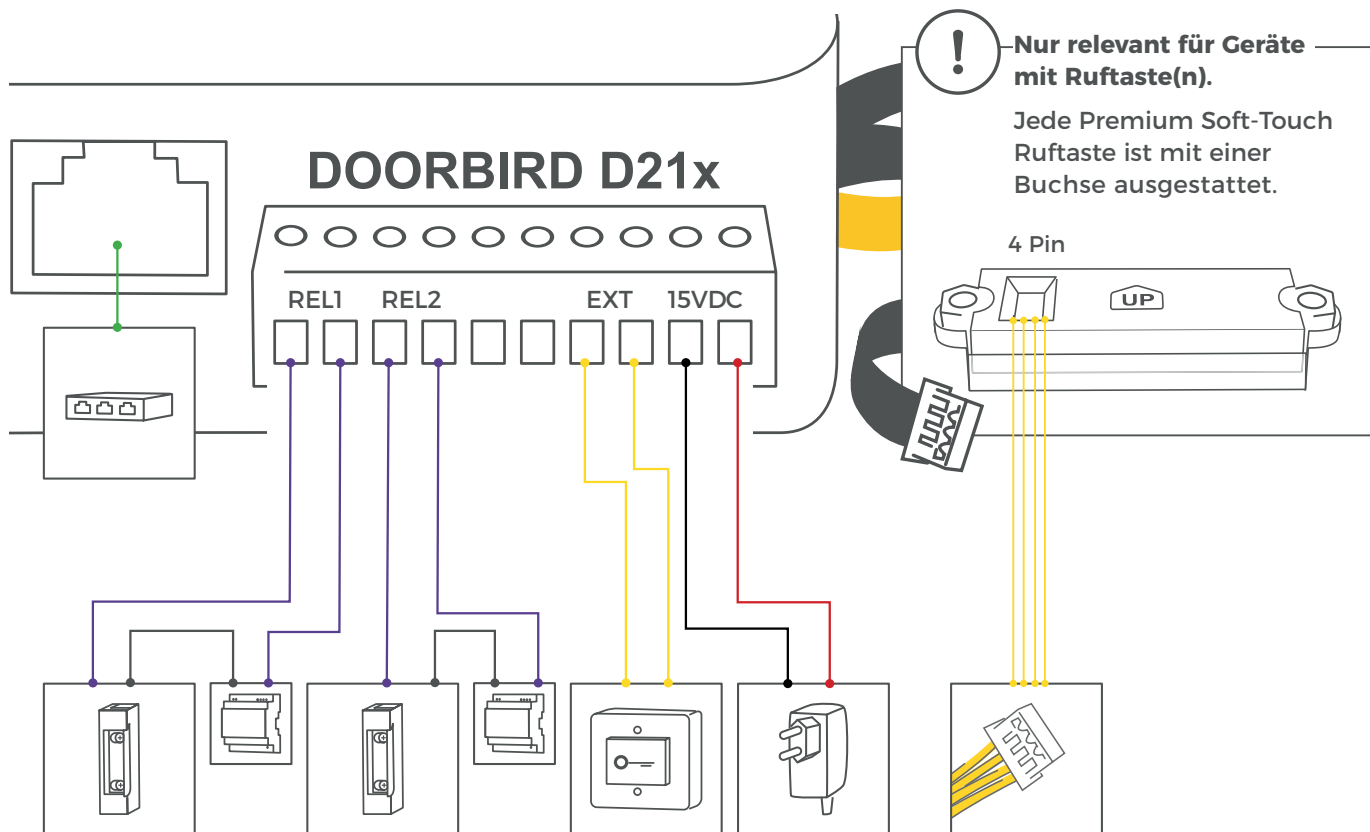
Das Gerät verfügt für ein komfortables und sicheres Anschließen der Kabel und Drähte über beschriftete Anschlussbuchsen. Sie können jetzt alle erforderlichen Kabel und Drähte mit dem Gerät verbinden. Entfernen Sie bitte die Kabel und Drähte von den Anschlussbuchsen des Geräts, die Sie nicht benötigen. Entfernen Sie etwa 5 mm der Isolierung am Ende der Drähte, die Sie an den grünen Schraubklemmenblock anschließen möchten.



Behandeln Sie die Frontblende mit Vorsicht. Die Oberfläche der Frontblende könnte zerkratzt oder anderweitig beschädigt werden, wenn diese während der Installation unvorsichtig behandelt wird.

Sie können die Nylonschnur verwenden, um die Frontblende temporär am Montagerückgehäuse zu befestigen, während Sie die Kabel und Drähte mit dem Gerät verbinden.





ANSCHLÜSSE

BESCHREIBUNG

LAN/POE

RJ45 Buchse, um ein Standard Netzkabel Cat.5 oder besser, vom Internet Router/PoE-Switch/PoE-Injektor kommend, anzuschließen.

NOTICE Kombinieren Sie die Stromversorgung per Steckernetzteil nicht mit der Stromversorgung per PoE.

REL1, REL1

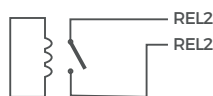


Bi-stabiles selbsthaltendes Schaltrelais #1, max. 24 V DC/AC, 1 Ampere. Sicherheitsfeature: Das Relais behält den Zustand auch bei Spannungsverlust. Sie können den Standardzustand des Relais (geöffnet/ geschlossen) über die DoorBird App konfigurieren. Diese Anschlüsse können verwendet werden, um z.B. einen elektrischen Türöffner anzuschließen. Das Gerät bietet keine Stromversorgung für einen elektrischen Türöffner. Die Stromversorgung für einen elektrischen Türöffner muss separat installiert werden.



Bitte beachten: Wenn Sie einen elektrischen Türöffner direkt mit einer Türstation verdrahten, könnte der elektrische Türöffner durch unbefugte Dritte manipuliert werden (z.B. indem man die Türstation aufbricht und die Verdrahtung des Türöffners kurzschließt). Wir empfehlen daher für die Verdrahtung eines elektrischen Türöffners generell den Einsatz eines abgesetzten Sicherheitsrelais, das im Hausinneren montiert wird (z.B. DoorBird E/A Tür Controller A1081).

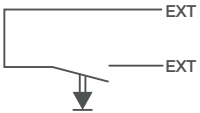
REL2, REL2



Bi-stabiles selbsthaltendes Schaltrelais #2, max. 24 V DC/AC, 1 Ampere. Sicherheitsfeature: Das Relais behält den Zustand auch bei Spannungsverlust. Sie können den Standardzustand des Relais (geöffnet/ geschlossen) über die DoorBird App konfigurieren. Diese Anschlüsse können verwendet werden, um z.B. einen elektrischen Türöffner anzuschließen. Das Gerät bietet keine Stromversorgung für einen elektrischen Türöffner. Die Stromversorgung für einen elektrischen Türöffner muss separat installiert werden.



Bitte beachten: Wenn Sie einen elektrischen Türöffner direkt mit einer Türstation verdrahten, könnte der elektrische Türöffner durch unbefugte Dritte manipuliert werden (z.B. indem man die Türstation aufbricht und die Verdrahtung des Türöffners kurzschließt). Wir empfehlen daher für die Verdrahtung eines elektrischen Türöffners generell den Einsatz eines abgesetzten Sicherheitsrelais, das im Hausinneren montiert wird (z.B. DoorBird E/A Tür Controller A1081).

<p>EXT, EXT</p> 	<p>Türöffnertaster, max. 0 V DC/AC, 0 Ampere. Dieser Anschluss kann verwendet werden, um z.B. einen Türöffnertaster im Hausinneren an das Gerät anzuschließen. Der Kontakt schaltet das erste bi-stabile selbsthaltende Schaltrelais (REL1, REL1).</p> <p>NOTICE Beachten Sie bitte, dass Sie keine Spannung auf diese Anschlüsse geben. Dies kann das Gerät sofort zerstören.</p>
<p>15 VDC -</p>	<p>Eingang 15 V DC Spannungsversorgung, Minuspol (-). Bitte verbinden Sie den schwarzen Draht des mitgelieferten Netzteils (Netzadapter) mit diesem Abschluss, wenn Sie das Gerät nicht mit PoE versorgen.</p> <p>NOTICE Kombinieren Sie die Stromversorgung per Steckernetzteil nicht mit der Stromversorgung per PoE.</p>
<p>15 VDC +</p>	<p>Eingang 15 VDC Spannungsversorgung, Pluspol (+). Bitte verbinden Sie den roten Draht des mitgelieferten Netzteils (Netzadapter) mit diesem Abschluss, wenn Sie das Gerät nicht mit PoE versorgen.</p> <p>NOTICE Kombinieren Sie die Stromversorgung per Steckernetzteil nicht mit der Stromversorgung per PoE.</p>



Nur relevant für Geräte mit Ruftaste(n).

4 PIN (SWITCH)

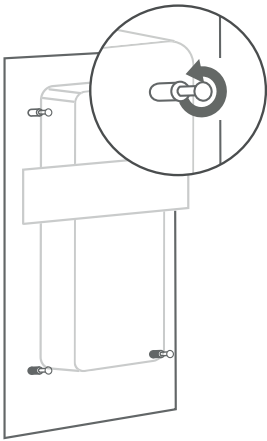
Verwenden Sie das gelbe Kabel um die Ruftaste mit der IP Video Türstation zu verbinden.

NOTICE Bitte gehen Sie sorgsam beim Anschluss der Kabel und Drähte vor, ein falscher Anschluss kann das Gerät zerstören. Drähte ohne Isolierungen dürfen nicht aus dem grünen Schraubklemmenblock herausragen, dies kann zu einem elektrischem Kurzschluss und zur Zerstörung des Geräts führen.

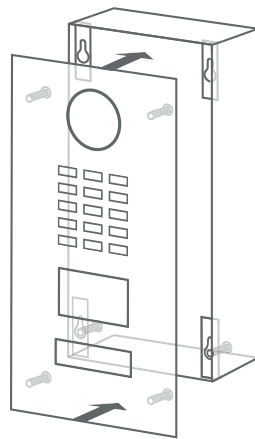
NOTICE Die gelben, grünen und roten Kabel, die seitlich aus der elektrischen Haupteinheit herausgeführt sind, dürfen nur zum Anschluss von Komponenten verwendet werden, die hierfür von Bird Home Automation zertifiziert sind.

SCHRITT 8: FRONTBLLENDE MONTIEREN

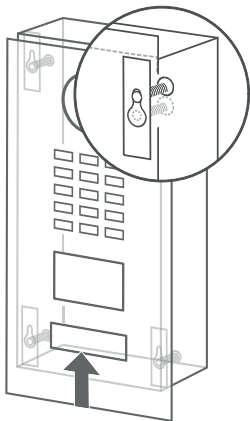
Montieren Sie die Frontblende des Gerats an das Montageruckgehause.



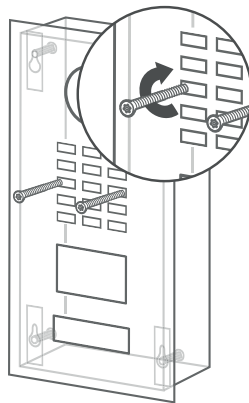
1.) Ziehen Sie die 4 Justierschrauben soweit an, dass die Frontplatte in Bild 3 mit Druck auf der Dichtung sitzt.



2.) Frontblende in das Montageruckgehause drucken.



3.) Frontblende nach oben schieben.



4.) Sicherheitsschrauben einsetzen.

SCHRITT 9: INBETRIEBNAHME

Schalten Sie den Strom der zum Montageort fuhrenden Leitungen an. Wenn das Gerat per Steckernetzteil mit Strom versorgt werden soll, stecken Sie das Steckernetzteil des Gerats in eine Wandsteckdose. Wenn das Gerat per PoE mit Strom versorgt werden soll, schalten Sie den PoE-Switch/PoE-Injektor ein, der mit dem Gerat verbunden ist.



Kombinieren Sie die Stromversorgung per Steckernetzteil nicht mit der Stromversorgung per PoE.

Ob das Gerat mit Strom versorgt ist, sehen Sie anhand der Diagnose-LED. Diese leuchtet nach etwa 30 bis 60 Sekunden, nachdem man die Stromversorgung angeschlossen hat. Das Gerat ist betriebsbereit (Bootvorgang, etwaige Softwareupdates etc.),

sobald dieses einen kurzen Diagnose-Ton aus dem integrierten Lautsprecher ausgegeben hat. Dies kann bis zu 5 Minuten dauern. Sollte die Diagnose-LED nicht leuchten, prufen Sie bitte die Stromversorgung. Wenn Sie ein Steckernetzteil und nicht PoE verwenden, prufen Sie insbesondere, ob Sie den Pluspol und Minuspol korrekt an das Gerat angeschlossen haben.

SCHRITT 10: DOWNLOAD UND INSTALLATION DER APP

Laden Sie sich die App "DoorBird" von Bird Home Automation aus dem Apple App Store bzw. Google Play Store auf Ihr mobiles Endgerat. Die stets aktuelle Version der App Bedienungsanleitung finden Sie unter www.doorbird.com/de/support

Gehen Sie in der DoorBird App auf „Einstellungen > Gerat hinzufugen“ und klicken Sie auf das QR-Code Symbol im Feld „Benutzer“. Scannen Sie den Benutzer QR-Code auf dem beiliegenden „Digital Passport“.

Falls Sie Probleme beim Hinzufugen des Gerats zur App haben, prufen Sie bitte, ob das Gerat online ist (www.doorbird.com/de/checkonline). Sollte das Gerat nicht online sein, prufen Sie bitte die Netzwerkverbindung und Stromversorgung des Gerats.

DIAGNOSE-LED

Ob das Gerat mit Strom versorgt ist, sehen Sie anhand der Diagnose-LED. Diese leuchtet nach etwa 30 bis 60 Sekunden, nachdem man die Stromversorgung angeschlossen hat.

DIAGNOSE-TONE

Das Gerat gibt nach etwa 30 bis 60 Sekunden Tone zur Diagnose aus, nachdem man das Gerat mit dem Stromnetz verbunden hat.

BEWEGUNGSSENSOR

Das Gerat verfugt uber einen integrierten Bewegungssensor mit 4D Technologie. Sie konnen diesen fur zahlreiche Anwendungen nutzen, z.B. um einen Alarm an ein mobiles Endgerat zu senden oder um ein Relais zu schalten, das ein Auenlicht einschaltet.

RFID LESER

Der eingebaute RFID Leser kann fur verschiedene Anwendungen verwendet werden, z.B. zum offnen/Verriegeln von Turen oder Scharf-/Unscharfstellen Ihrer Alarmanlage. Der RFID Leser hat aus Sicherheitsgrunden eine sehr geringe Reichweite (0 - 3 cm, 0 - 1,18 in), Sie mussen den kompatiblen RFID Tag (Key fob) daher sehr nah an den RFID Leser halten. Sie konnen den RFID Leser mit der DoorBird App konfigurieren.



Aus Sicherheitsgrunden arbeitet der RFID Leser nur auf kurzer Distanz.

API

Das Gerät verfügt über eine gut dokumentierte API für die Integration in Anwendungen Dritter. Weitere Informationen finden Sie unter www.doorbird.com/de/api

DOORBIRD CONNECT

Das Gerät verfügt über viele Möglichkeiten, es in Drittanbieteranwendungen zu integrieren. Weitere Informationen finden Sie unter www.doorbird.com/de/connect

BESCHRIFTUNG EINES NAMENSSCHILDS WECHSELN

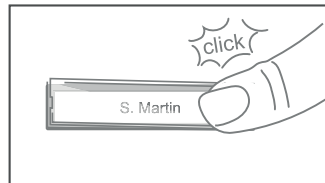
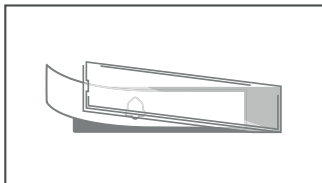


Nur relevant für Geräte mit einem oder mehr Ruftasten mit beleuchtetem Namensschild.



Gravurservice für ein modernes und sauberes Erscheinungsbild:
www.doorbird.com/de/engraving

Bitte befolgen Sie **SCHRITT 1**, um den Strom abzuschalten. Verwenden Sie einen flachen Schlitzschraubendreher, um die durchsichtige Abdeckung der Ruftaste zu entfernen. Wir empfehlen die Verwendung von Papier, das keine Feuchtigkeit zieht.



BESCHRIFTUNG DES INFO MODULS WECHSELN



Nur relevant für Geräte mit Info Modul.

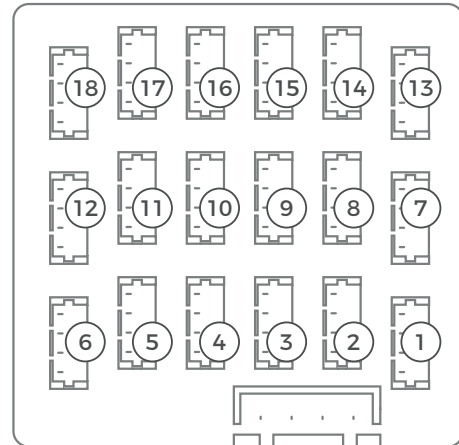
Bitte befolgen Sie **SCHRITT 1**, um den Strom abzuschalten und **SCHRITT 2**, um die Frontblende des Geräts zu entfernen. Sie können dann im innenliegenden Info Modul die Beschriftung wechseln. Wir empfehlen die Verwendung von Papier, das keine Feuchtigkeit zieht.

RUFTASTEN AN DAS MEHRPARTEIEN MODUL ANSCHLIEßEN



Nur relevant für Geräte mit 2 und mehr Ruftasten.

Schließen Sie nur Ruftasten an das Mehrparteien Modul (z.B. Multi Tenant Module MTM18A) an, die von Bird Home Automation zertifiziert sind.



① = 1. Ruftastenbuchse

⑱ = 18. Ruftastenbuchse

PFLEGE DER DOORBIRD-PRODUKTE

Pflege und Reinigung

DoorBird Türstationen werden aus hochwertigen Materialien gefertigt und sind für eine lange Lebensdauer ausgelegt. Da Türstationen meistens im ungeschützten Außenbereich montiert werden, sind sie widrigen Witterungsbedingungen und aggressiven Substanzen ausgesetzt, insbesondere an Straßen, in Küstennähe und in Industriegebieten. Bitte beachten Sie daher folgende Hinweise zur Pflege. Wir können leider für Schäden keine Haftung übernehmen, wenn diese Hinweise nicht beachtet werden.

Aggressive Verschmutzungen wie z.B. Vogelkot sollte schnellstens entfernt werden.



Bitte benutzen Sie niemals scheuernde oder schleifende Reinigungsmittel wie Stahlwolle oder Scheuermilch!

Meistens genügt schon warmes Wasser, gegebenenfalls mit etwas Spülmittel, ein weiches Tuch oder Bürste. Kunststoffteile (Kamera oder Namensschilder) dürfen nicht mit einem Metallpflegemittel behandelt werden. Entfernen Sie nach der Pflege alle Reste und Rückstände von Reinigungs- oder Schmiermitteln, um Flecken oder Verfärbungen zu vermeiden.

Edelstahl

Für DoorBird Türstationen werden ausschließlich hochwertige deutsche Edelstähle verwendet. Aber auch hochwertiger Edelstahl kann rosten, denn Edelstahl besteht zu ca. 70 % aus Eisen. Die Rostbeständigkeit wird lediglich durch eine Schutzschicht (auch Passivschicht genannt) erzeugt, die sich wie eine Haut über das Eisen legt. Diese Schutzschicht besteht im Wesentlichen aus Chrom und anderen Edelmetallen.

Eisenpartikel, Schleifstaub und Späne, die sich auf Edelstahl ablagern, können zu Korrosion führen (Flugrost). Diese Eisenteile in der Luft sind überall zu finden, aber besonders in Industriegebieten, in Küstennähe und an stark befahrenen Straßen. Bitte entfernen Sie eisenhaltige Ablagerungen umgehend, da sie bei Nichtentfernen Ihre Türstation angreifen und zu echtem Rost führen. Zur Rostbeseitigung genügt ein einfaches Abwischen des Staubes, darüber hinaus ist ein Pflegemittel zu empfehlen, wie z.B. WD 40, erhältlich u.a. bei Amazon für unter € 5,00. Einfach dünn auftragen und verreiben. Gleiches gilt, wenn sich an den Gravuren in der Edelstahloberfläche Rost bildet.

Zement- oder Kalkspritzer sollte man so schnell wie möglich vor ihrer Aushärtung vorsichtig mit einem Holzspatel abtragen.

Folgende Reinigungsmittel dürfen nicht verwendet werden, da sie die Korrosionsbeständigkeit verringern:

- Chloridhaltige und salzsäurehaltige Produkte
- Bleichmittel (bei versehentlichem Gebrauch gründlich mit Wasser abspülen)
- Silberputzmittel

Nach jeder Reinigung mit klarem Wasser nebelfeucht nachwischen und trockenreiben, um die Bildung von Kalkspuren zu verhindern. Durch Nutzung von entmineralisiertem Wasser lassen sich Kalkrückstände vermeiden.

Edelstahl PVD beschichtet

PVD beschichtete, verchromte oder vergoldete Oberflächen empfehlen wir mit fettlösendem Spülmittel und klarem Wasser oder mit einem sauberen und staubfreien Mikrofasertuch zu reinigen. Bei Hochglanzoberflächen ist ein kratzfreies Tuch (z. B. Brillenputztuch, Möbelpoliertuch o. ä.) zu verwenden.

Lackierte Oberflächen

Reinigen Sie Lackoberflächen und Beschriftungen mit einem mit milder Seifenlösung angefeuchteten, weichen, kratzfreiem Tuch (z. B. Brillenputztuch, Möbelpoliertuch o. ä.). Damit keine Flecken oder Verfärbungen entstehen, sollte das Pflegemittel rückstandslos abgewischt werden. Gehen Sie bei Beschriftungen besonders behutsam vor, um die Folie oder den Aufdruck nicht zu beschädigen.

TECHNISCHE DATEN

ALLGEMEINES

Stromversorgung	15 V DC (max. 15 W) oder Power over Ethernet (PoE 802.3af Mode-A)
Info Modul*	3.5", beleuchtet
Display Modul*	3.5" LCD (ohne Touchfunktion), beleuchtet, für die Anzeige eines 2-zeiligen Freitextes und des Namensverzeichnisses (max. 100 Einträge)
Keypad Modul*	16 Tasten, beleuchtet, konfigurierbar per App, z.B. <ul style="list-style-type: none">• Individuelle PIN Codes• Individuelle Events (z.B. ein Relay schalten, Push Nachricht, SIP Anruf [Audio/Video], HTTP(s) Notification)• Individuelle Zeitpläne• Es können bis zu 100 PIN Codes verwaltet werden

Anschlüsse	<ul style="list-style-type: none"> • RJ45, für LAN/PoE • Bi-stabiles selbsthaltendes Schaltrelais #1, max. 24 V DC/AC, 1 A, z.B. für elektrischen Türöffner • Bi-stabiles selbsthaltendes Schaltrelais #2, max. 24 V DC/AC, 1 A, z.B. für elektrischen Türöffner • Externer Eingang für externen Türöffnertaster (potentialfrei) • 15 V DC Eingang (+, -), max. 15 W • Relais können mit dem DoorBird I/O Door Controller erweitert / abgesetzt werden.
Wetterfest	Ja, IP65
Zulassungen	IP65, CE, FCC, IC, RoHS, IK08, REACH, IEC/EN 62368, IEC/EN 62471
Betriebsbedingungen	-25 bis +55°C / -13 bis 131°F Relative Luftfeuchtigkeit 10 bis 85 % (nicht kondensierend)
Lieferumfang	<ul style="list-style-type: none"> 1x Elektrische Haupteinheit 1x Frontblende* 1x Montagerückgehäuse* 1x Steckernetzteil (110 - 240 V AC auf 15 V DC) mit 4 Landesadaptern 1x RFID Key fob 1x Schraubendreher 1x Quickstartanleitung mit Digital Passport 1x Installationsanleitung 1x Kleinteile
Garantie	Siehe www.doorbird.com/de/warranty

DERZEITIGE SYSTEMANFORDERUNGEN

Systemanforderungen	<p>Mobiles Endgerät: Neuestes iOS auf iPhone/iPad, neuestes Android auf Smartphone/Tablet</p> <p>Internet: High-Speed Festnetz Breitband Internetanschluss, DSL, Kabel oder Glasfaser, kein Socks- oder Proxyserver</p> <p>Netzwerk: Ethernet Netzwerk, mit DHCP</p>
Empfohlene Montagehöhe	Kameralinse sollte sich auf mindestens 145 cm (57 in) befinden. Bitte prüfen Sie vor der Montage die für Sie optimale Installationshöhe.

VIDEO

Kamera	HDTV 720p, dynamisch (VGA - HDTV)
Linse	Highend Ultraweitwinkel hemisphärische Linse 180° (D), 140° (H), 100° (V), entzerrt, IR-fähig

Nachtsicht	Ja, Lichtsensor, automatischer IR-Cut Filter, 12 IR-LED (850 nm)
------------	--

AUDIO

Audio Komponenten	Lautsprecher und Mikrofon, Echo- und Rauschunterdrückung (AEC, ANR)
Audio Streaming	Zwei-Wege, Vollduplex

NETZWERK

Ethernet	RJ45 Buchse, PoE 802.3af Mode-A, 10/100 Base-T
Unterstützte Protokolle	HTTP, HTTPS, SSL/TLS, Bonjour, DNS, RTSP, RTP, TCP, UDP, RTCP, ICMP, DHCP, ARP, SIP, DTMF (RTP [RFC-2833], SIP INFO [RFC-2976]), STM

BEWEGUNGSSENSOR

Typ	Aktiv
Erfassungswinkel	54° (H), 70° (V)
Reichweite	1 - 10 m (3,3 - 32,9 ft), je nach Umgebung, konfigurierbar in 1 m (3,3 ft) Schritten. Wenn ein „Display Modul“ an die elektrische Haupteinheit angeschlossen ist, ist die Reichweite auf 1 m (3.3 ft) eingeschränkt.
Technologie	4D. Basiert auf mehreren integrierten Sensoren und Algorithmen, z.B. Funkfrequenzenergie (RFE)

Konfiguration	<p>Per App, z.B.</p> <ul style="list-style-type: none"> • Reichweite (1 - 10 m / 3,3 - 32,9 ft) • Laufrichtung (kommend, gehend, beides) • Individuelle Events (z.B. ein Relay schalten, Push Nachricht, SIP Anruf [Audio/Video], HTTP(s) Notification) • Individuelle Zeitpläne
---------------	--

RFID

Typ	Active Reader Passive Tag (ARPT) System
Standard	ISO/IEC 18000-2:2009 Part 2, EM4100, EM4102
Frequenz	125 KHz
Reichweite	0 - 3 cm, je nach Umgebung
Antenne	Intern
Kompatible Transponder	RFID Key fobs, separat erhältlich, siehe www.doorbird.com/de/buy Es können bis zu 100 Tags verwaltet werden

Konfiguration	Per App, z.B.
	<ul style="list-style-type: none"> • Tag (hinzufügen/löschen) • Individuelle Events (z.B. ein Relay schalten, Push Nachricht, SIP Anruf [Audio/Video], HTTP(s) Notification) • Individuelle Zeitpläne

INTEGRIERTE FUNKMODULE

RFID	125 KHz
Sensor	24 GHz, kann deaktiviert werden

DRITTANBIETER INTEGRATION (DOORBIRD CONNECT)

Partner Integration	siehe www.doorbird.com/de/connect
API	siehe www.doorbird.com/de/api
Gleichzeitige Video Streams	Einer, für Event-basierte und kontinuierliche Aufzeichnung

OPTIONALES ZUBEHÖR

Separat erhältlich	siehe www.doorbird.com/de/buy
--------------------	--

* Nur bei bestimmten Modellen bzw. Konfigurationen beinhaltet

Irrtümer und Änderungen vorbehalten.

RECHTLICHE HINWEISE

Allgemeines

1. DoorBird ist ein registriertes Warenzeichen der Bird Home Automation GmbH.

2. Apple, das Apple Logo, Mac, Mac OS, Macintosh, iPad, Multi-Touch, iOS, iPhone und iPod touch sind Warenzeichen von Apple Inc.

3. Google, Android und Google Play sind Warenzeichen von Google, Inc.

4. Die Bluetooth® Wortmarke und Logos sind Warenzeichen von Bluetooth SIG, Inc.

5. Alle anderen Firmen- und Produktnamen können Warenzeichen der jeweiligen Firmen sein, mit denen sie in Verbindung gebracht werden.

6. Änderungen an unseren Produkten, die dem technischen Fortschritt dienen, behalten wir uns vor. Die abgebildeten Produkte können im Zuge der ständigen Weiterentwicklung auch optisch von den ausgelieferten Produkten abweichen.

7. Abdrucke oder Übernahme von Texten, Abbildungen und Fotos in beliebigen Medien aus dieser Anleitung – auch auszugsweise – sind nur mit unserer ausdrücklichen schriftlichen Genehmigung gestattet.

8. Die Gestaltung dieser Anleitung unterliegt dem Urheberschutz. Für eventuelle Irrtümer, sowie inhaltliche- bzw. Druckfehler (auch bei technischen Daten oder innerhalb von Grafiken und technischen Skizzen) übernehmen wir keine Haftung.

9. Unsere Produkte entsprechen den in Deutschland, der in Deutschland, EU und USA geltenden technischen Richtlinien, elektrischen Bestimmungen und Telekommunikationsbestimmungen.

Datenschutz und Datensicherheit

1. Für maximale Sicherheit verwendet das Gerät dieselben Verschlüsselungstechnologien wie beim Onlinebanking. Zu Ihrer Sicherheit sind auch keine Portweiterleitungen oder DynDNS im Einsatz.

2. Der Standort des Rechenzentrums für den Fernzugriff per App über das Internet ist verbindlich in der EU, wenn der festgestellte Internet IP-Adressen Standort des Geräts in der EU ist. Das Rechenzentrum wird nach strengsten Sicherheitsstandards betrieben.

3. Video-, Audio- und jede andere Überwachungsmethode können durch Gesetze geregelt werden, die von Land zu Land variieren. Überprüfen Sie die Gesetze in Ihrer Region vor der Installation und Verwendung dieses Gerätes für Überwachungszwecke.

Wenn es sich bei dem Gerät um eine Tür-, Innenstation oder Kamera handelt:

- In vielen Ländern darf Videobild und Sprache erst dann übertragen werden, wenn ein Besucher geklingelt hat (Datenschutz, konfigurierbar in der App)

- Führen Sie die Montage so durch, dass sich der Erfassungsbereich der Kamera ausschließlich auf den unmittelbaren Eingangsbereich beschränkt.

- Das Gerät verfügt ggf. über eine integrierte Besucherhistorie und Bewegungssensor. Sie können diese Funktionen, wenn erforderlich, aktivieren/deaktivieren.

Erkundigen Sie sich beim Eigentümer und Ihrer Hausgemeinschaft, ob Sie dieses Produkt installieren und verwenden dürfen. Bird Home Automation GmbH übernimmt keine Verantwortung für den Missbrauch oder die Fehlkonfiguration dieses Produkts, auch nicht durch unerwünschtes Öffnen einer Tür.

Bird Home Automation kann nicht für Schäden haftbar gemacht werden, die durch unsachgemäße bestehende Installationen oder unsachgemäße Installation entstehen.

Weisen Sie bei Erfordernis an geeigneter Stelle und in geeigneter Form auf das Vorhandensein des Geräts hin.

Beachten Sie alle am Installationsort geltenden relevanten landespezifischen gesetzlichen Regelungen für den Einsatz von Überwachungskomponenten und Überwachungskameras.

Software Updates bzw. Aktualisierungen des Betriebssystems (so genannte „Firmware-Updates“) werden im Normalfall automatisch in die Produkte der Bird Home Automation GmbH über das Internet eingespielt, sofern technisch möglich. Mit automatischen Firmware-Updates wird die Software der Produkte auf dem neuesten verfügbaren Stand gehalten, damit sie stets zuverlässig, sicher und leistungsstark arbeiten. Durch Weiterentwicklung können Funktionen im Zeitverlauf hinzugefügt, erweitert oder geringfügig geändert werden. Größere Änderungen bzw. Einschränkungen bereits vorhandener Funktionen erfolgen im Normalfall nur, sofern Bird Home Automation GmbH dies für erforderlich hält (z.B. aus Datenschutz-, Datensicherheits- oder Stabilitätsgründen oder um sie auf dem Stand der Technik zu halten). Wenn ein Firmware-Update verfügbar ist, verteilen es die Server der Bird Home Automation GmbH im Normalfall automatisch an alle kompatiblen Produkte, die mit dem Internet bzw. Server der Bird Home Automation GmbH verbunden sind. Dieser Prozess erfolgt schrittweise und kann mehrere Wochen dauern. Wenn ein Produkt ein Firmware-Update erhält, installiert es dieses und startet im Normalfall neu. Installierte Firmware-Updates können nicht rückgängig gemacht werden. Da es sich bei den Produkten und der Software der Bird Home Automation GmbH nicht um explizit kundenspezifisch entwickelte Produkte handelt, kann ein Kunde ein automatisches Update nicht verwehren, sofern das Produkt mit dem Internet bzw. Server der Bird Home Automation GmbH verbunden ist.

Entsorgungshinweis

Gerät nicht im Hausmüll entsorgen! Elektronische Geräte sind entsprechend der Richtlinie über Elektro- und Elektronik Altgeräte zu entsorgen, z.B. über die örtlichen Sammelstellen für Elektronik-Altgeräte.

Herausgeber

Bird Home Automation GmbH
Umlandstraße 165
10719 Berlin
Deutschland
Web: www.doorbird.com
Email: hello@doorbird.com

MANUEL D'INSTALLATION

Lisez soigneusement ce manuel avant de mettre en marche les divers éléments. Conservez ce manuel pour une éventuelle consultation ultérieure !

Si vous transmettez cet appareil à d'autres personnes dans le futur, transmettez-leur également ce manuel.

Vous trouverez la toute dernière version du manuel d'installation à l'adresse www.doorbird.com/fr/support

Pour simplifier les termes, nous utiliserons le mot « appareil » pour parler du produit « portier vidéo IP » et le mot « appareil mobile » pour parler d'un smartphone ou d'une tablette.

Responsabilité

Ce document a été rédigé minutieusement afin de permettre à nos utilisateurs de bien utiliser notre appareil. Nous vous remercions d'informer Bird Home Automation GmbH d'éventuelles inexactitudes ou omissions. Bird Home Automation GmbH décline toute responsabilité en cas d'inexactitudes techniques ou d'erreurs typographiques, et se réserve le droit de procéder sans préavis à des modifications de ses produits et de ses manuels d'installation. Bird Home Automation GmbH ne donne aucune garantie quant au contenu de ce document, y compris, mais sans s'y limiter, en ce qui concerne les garanties implicites de qualité marchande et d'adéquation à un usage particulier. Bird Home Automation GmbH ne peut être tenue responsable des dommages accessoires et consécutifs en lien avec la mise à disposition, la mise en œuvre ou l'utilisation de ce matériel. L'appareil ne peut être utilisé que pour l'usage auquel il est destiné.

Modifications apportées à l'appareil

Cet appareil doit être installé et utilisé conformément aux instructions figurant dans le manuel d'installation. Ce dispositif ne contient aucun composant nécessitant un entretien par l'utilisateur. Les modifications ou changements non autorisés invalideront toutes les certifications et approbations réglementaires applicables.

Symboles utilisés



Danger : indique une situation dangereuse qui, si rien n'est fait pour l'éviter, entraîne la mort ou des blessures graves.



Mise en garde : indique une situation dangereuse qui, si rien n'est fait pour l'éviter, peut entraîner la mort ou des blessures graves.



Prudence : indique une situation dangereuse qui, si rien n'est fait pour l'éviter, peut entraîner des lésions légères.



Remarque : indique une situation dangereuse qui, si rien n'est fait pour l'éviter, peut entraîner des dommages matériels.



Indication : indique la présence d'informations utiles en vue de l'utilisation optimale de l'appareil.



Important : indique la présence d'informations importantes garantissant le fonctionnement correct du produit.

Indications de danger



MISE EN GARDE

- L'installation, le montage et les travaux d'entretien des appareils électriques doivent être exclusivement réalisés par un spécialiste agréé. En ne respectant pas cette consigne, vous risquez de vous exposer à de graves dangers pour votre santé ou à un danger de mort par électrocution.
- Appareils avec raccordement 110-240 V : l'appareil ne doit être raccordé qu'à une prise de courant facilement accessible. En cas de danger, débranchez l'adaptateur secteur.
- Pour l'alimentation électrique de l'appareil, utilisez uniquement l'adaptateur secteur original livré avec l'appareil, ou l'un des connecteurs PoE / injecteurs PoE recommandés dans ce manuel (pour autant que l'appareil supporte le PoE).
- En raison de la charge électrostatique, le contact direct avec le circuit imprimé peut entraîner la destruction de l'appareil. Le contact direct avec le circuit imprimé doit donc être évité à tout moment.
- Respectez les normes EN 60065, EN 60950 et EN 62368.
- N'utilisez pas l'appareil si celui-ci présente en apparence des dommages extérieurs, comme par exemple des dommages au boîtier, aux éléments de commande ou aux prises de raccordement, ou s'il présente un dysfonctionnement quelconque. En cas de doute, veuillez faire contrôler l'appareil par un spécialiste agréé.
- N'ouvrez pas l'appareil. Si vous le faites, votre garantie sera annulée ! L'appareil ne contient aucune pièce pouvant être entretenue par l'utilisateur. En cas d'erreurs, veuillez faire contrôler l'appareil par un spécialiste agréé.
- Pour des raisons de sécurité, d'homologation et de licences (CE/FCC/IC etc.), il est interdit de procéder à des transformations et/ou des modifications l'appareil sans autorisation.

- Cet appareil n'est pas un jouet ! Ne laissez pas les enfants jouer avec celui-ci. Ne laissez pas traîner le matériel d'emballage, les films et sachets en plastique, les morceaux de polystyrène, etc. peuvent être dangereux dans les mains d'un enfant.
- Posez les câbles de telle façon qu'ils ne deviennent pas un danger potentiel pour les personnes et les animaux domestiques.
- Il y a de la tension sur certaines pièces de l'appareil. Ne touchez aucune pièce non associée à l'installation, au câblage ou au branchement. Des décharges électriques peuvent en résulter.
- Maintenez les appareils non repris comme résistant aux intempéries à l'abri de l'eau et de tout autre liquide.
- Ne procédez jamais à une installation ni à des branchements lorsque l'alimentation électrique est activée. L'appareil pourrait en résulter endommagé et pourrait provoquer des décharges électriques.
- Avant de mettre sous tension, assurez-vous que les fils ne soient pas croisés et ne présentent pas de court-circuit. Il peut en résulter un incendie ou des décharges électriques.
- Il peut y avoir de la haute tension à l'intérieur de l'appareil. N'ouvrez pas l'appareil. Il peut en résulter des décharges électriques.
- L'appareil n'est pas protégé contre les explosions. Ne l'installez pas et ne l'utilisez pas à proximité de gaz ou de matériaux inflammables. Un incendie ou une explosion pourrait en résulter.
- N'installez pas deux alimentations en parallèle sur une même entrée. L'appareil pourrait en résulter endommagé et un incendie pourrait se déclarer. Veillez bien à ne raccorder qu'une seule alimentation électrique à l'appareil.
- Ne raccordez aucun terminal de l'appareil à une ligne d'alimentation. Il peut en résulter un incendie ou des décharges électriques.
- Assurez-vous que le câble d'alimentation ne soit ni endommagé, ni écrasé. Si le câble est rompu, il peut en résulter un incendie ou une décharge électrique.
- Ne branchez pas et ne débranchez jamais rien avec les mains mouillées. Cela pourrait provoquer des décharges électriques.

- N'introduisez pas de matériaux métalliques ou inflammables dans l'appareil. Cela pourrait provoquer un incendie, des décharges électriques ou des dysfonctionnements au niveau de l'appareil.
- Il peut y avoir de l'électricité à haute tension sur les câblages existants, comme le câblage du carillon de porte (et bien d'autres). L'appareil pourrait en résulter endommagé et pourrait envoyer des décharges électriques. Le câblage et l'installation doivent être effectués par un spécialiste agréé.
- Fixez l'appareil au mur ou au plafond et évitez les emplacements où l'appareil risquerait d'être exposé à des vibrations et à des chocs.
- Pour les appareils munis d'une borne de terre, il faut un raccordement effectif à la terre. Dans le cas contraire, il existe des risques d'incendie et de dysfonctionnement de l'appareil.
- Pour les appareils contenant du verre plastique ou du verre véritable, n'exercez pas de forte pression sur le verre. La rupture de celui-ci peut occasionner des blessures.
- Pour les appareils avec écran LCD, si l'écran LCD est endommagé, n'entrez pas en contact avec les cristaux liquides car cela pourrait occasionner des blessures. Au besoin, rincez-vous la bouche, nettoyez vos yeux ou votre peau à l'eau claire pendant 15 minutes au minimum et consultez votre médecin traitant.
- Ne déposez rien sur l'appareil et ne le recouvrez pas de tissu, de silicone, de colle, ou de tout autre revêtement, etc. Il pourrait en résulter un incendie et un dysfonctionnement de l'appareil.
- N'installez pas l'appareil à l'un des emplacements suivants car il pourrait s'ensuivre un incendie, une décharge électrique ou des dysfonctionnements au niveau de l'appareil :
 - emplacements exposés à la lumière directe du soleil ou à proximité d'appareils de chauffage dont la température varie.
 - emplacements exposés à la poussière, à l'huile, aux produits chimiques, à l'acide sulfurique (source chaude).
 - emplacements soumis à des conditions d'humidité et d'humidité extrêmes, tels que des salles de bains, des caves, des serres, etc.
 - emplacements où la température est très basse, p. ex. une zone réfrigérée ou devant un climatiseur.
 - emplacements exposés à la vapeur et à la fumée (p. ex. à proximité de surfaces chauffantes ou de cuisson).

- emplacements à proximité immédiate d'appareils émettant du bruit, tels que des gradateurs ou des appareils électriques à onduleur.
- emplacements soumis à de fréquentes vibrations ou chocs.
- Pour les appareils avec fonction interphone, assurez-vous d'effectuer un test d'appel avec un faible volume audio sur les deux appareils. Un appel soudain ou un autre incident du même type, peut se produire et causer des dommages à votre ouïe.
- Si l'appareil ne fonctionne pas correctement, débranchez l'alimentation.
- Tous les appareils qui ne sont pas repris comme résistant aux intempéries ont exclusivement été conçus pour un usage à l'intérieur et ne doivent donc pas être utilisés à l'extérieur.
- Les appareils qui sont repris comme résistant aux intempéries ne doivent pas être pulvérisés avec de l'eau sous pression. Des dysfonctionnements au niveau de l'appareil pourraient s'ensuivre.
- Nous déclinons toute responsabilité en cas de dommages matériels ou corporels suite à une manipulation inappropriée ou au non-respect des instructions de sécurité. Dans ce type de cas, il n'existe aucun recours en garantie ! Nous déclinons toute responsabilité en cas de dommages indirects.

Instructions de sécurité



- L'appareil doit être utilisé conformément aux lois et règlements locaux.
- Stocker l'appareil dans un endroit sec et aéré.
- Évitez d'exposer l'appareil à des chocs ou à une forte pression.
- N'installez pas l'appareil sur des supports, surfaces ou parois instables. Assurez-vous que le matériau utilisé soit suffisamment stable pour supporter le poids de l'appareil.
- Lors de l'installation de l'appareil, utilisez uniquement des outils appropriés. L'utilisation d'une force excessive avec les outils peut endommager l'appareil.
- N'utilisez pas de produits chimiques, d'agents caustiques ou de nettoyeurs en aérosol.

- Pour le nettoyage, utilisez un chiffon propre et sec.
- Utilisez exclusivement des accessoires conformes aux spécifications techniques de l'appareil. Ceux-ci sont disponibles chez Bird Home Automation GmbH.
- Utilisez exclusivement des pièces de rechange fournies ou recommandées par Bird Home Automation GmbH.
- N'essayez pas de réparer l'appareil vous-même. Pour toute réparation et pour tout entretien, adressez-vous à Bird Home Automation GmbH.
- Tenez l'appareil à une distance minimale d'un (1) mètre (3,3") des appareils de type four à micro-ondes, radio, TV, routeur sans fil et autres appareils sans fil.
- Pour les appareils équipés d'interphone ou d'un haut-parleur intégré, d'un microphone intégré ou de fonctions de transmission de signaux, installez les fils à plus de 30 cm (12 ") de distance du câblage AC 100 - 240 V. Un bruit induit par le courant alternatif et/ou un mauvais fonctionnement de l'appareil pourrait en résulter.
- Installez l'appareil dans un endroit accessible en cas d'inspections, de réparations et d'entretiens à venir.
- Si l'appareil est utilisé à proximité d'un téléphone mobile, des perturbations peuvent s'ensuivre.
- En cas de chute, l'appareil peut être endommagé. Manipulez-le avec prudence.
- En cas de panne de courant, l'appareil sera désactivé.
- Pour les appareils équipés d'un interphone, d'un haut-parleur intégré ou microphone intégré, le fonctionnement de l'appareil peut être entravé dans les endroits qui se trouvent à proximité d'antennes cellulaires ou de stations de radiodiffusion / télévision.
- Pour les appareils à écran LCD, nous devons vous avertir d'avance que, bien qu'un écran LCD soit fabriqué avec des techniques de très haute précision, il y aura toujours, inévitablement, une très petite partie de ses éléments visuels qui ne sera pas toujours éclairée, voire qui ne sera pas éclairée du tout. Ceci n'est pas considéré comme un dysfonctionnement de l'appareil.
- Pour les appareils avec fonction interphone, les bruits ambiants autour de l'appareil peuvent

entraver sa bonne communication. Ceci n'est pas considéré comme un dysfonctionnement.

• Pour les appareils requérant un nom d'utilisateur / mot de passe, l'utilisateur est responsable de l'accès à l'appareil au moyen d'un nom d'utilisateur / mot de passe. Veuillez à utiliser un mot de passe qu'un tiers ne pourra pas deviner aisément. Nous vous recommandons également de modifier régulièrement votre mot de passe.

• Nous ne serons en aucun cas responsables des dommages causés par des pannes d'alimentation électrique, d'équipement de réseau ou de terminaux, des pannes dues à des fournisseurs d'accès Internet et de réseaux cellulaires, des pannes telles que des lignes

déconnectées et d'autres pertes de communication, ce qui rendrait impossible la fourniture de ce service et retarderait de quelque manière que ce soit ce service en raison d'autres causes hors de notre responsabilité, ou si une erreur ou des données manquantes se produisent pendant la transmission.

Transport



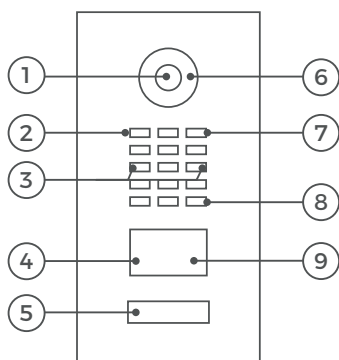
Au besoin, transportez l'appareil dans son emballage d'origine ou dans un emballage adapté, afin d'éviter tout dommage.

Garantie

Vous trouverez les informations relatives à la garantie en consultant la page www.doorbird.com/fr/warranty

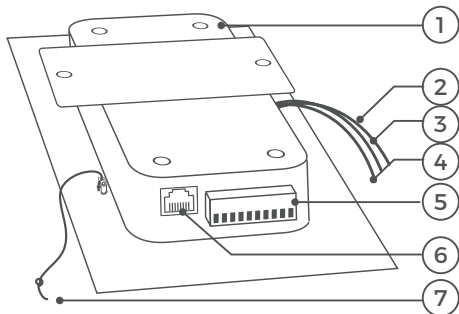
APPAREIL AVEC 1 BOUTON D'APPEL

Face avant



- 1) Vidéo HDTV
- 2) Capteur de luminosité
Pour le mode vision nocturne
- 3) Vis de sécurité
- 4) Capteur de mouvement
- 5) Bouton d'appel éclairé avec plaque nominative
L'éclairage agit en même temps comme LED de diagnostic
- 6) Plusieurs LED de vision nocturne
- 7) Microphone
- 8) Haut-parleur
- 9) Lecteur RFID

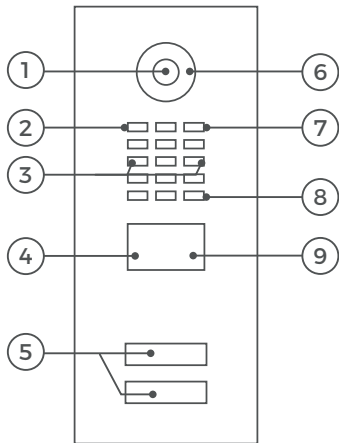
Intérieur



- 1) Unité électrique principale
- 2) Câble jaune pour bouton d'appel
Connecté au bouton d'appel illuminé avec plaque nominative
- 3) Câble rouge pour port 1 (non utilisé)
- 4) Câble vert pour port 2 (non utilisé)
- 5) Borne de raccordement à vis
- 6) Connecteur LAN / PoE
- 7) Fil en nylon
Pour sécuriser la face avant durant le montage

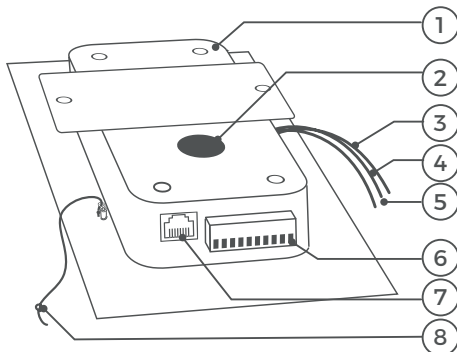
APPAREIL AVEC 2 BOUTONS D'APPEL ET PLUS

Face avant

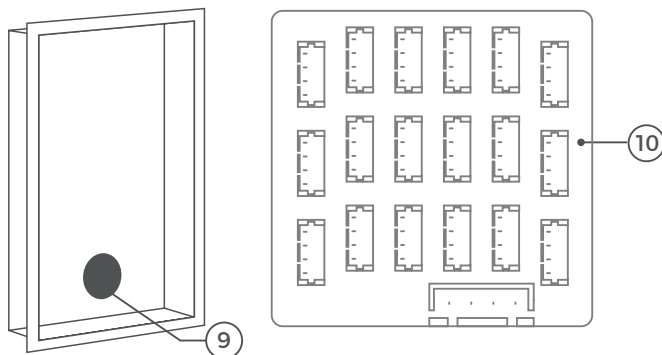


- 1) Vidéo HDTV
- 2) Capteur de luminosité Pour le mode vision nocturne
- 3) Vis de sécurité
- 4) Capteur de mouvement
- 5) Boutons d'appel éclairés avec plaque nominative L'éclairage agit en même temps comme LED de diagnostic
- 6) Plusieurs LED de vision nocturne
- 7) Microphone
- 8) Haut-parleur
- 9) Lecteur RFID

Intérieur

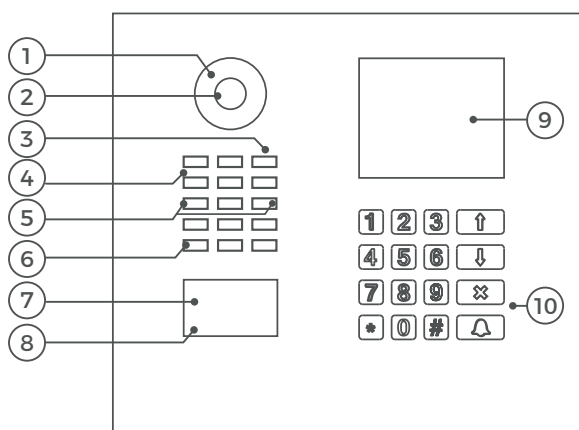


- 1) Unité électrique principale
- 2) Bande velcro 1 Pour la fixation temporaire du module multi-résidentiel à l'unité électrique principale pendant l'assemblage
- 3) Câble jaune pour bouton d'appel (non utilisé)
- 4) Câble rouge pour port 1 Câble de connexion au module multi-résidentiel
- 5) Câble vert pour port 2 (non utilisé)
- 6) Borne de raccordement à vis
- 7) Connecteur LAN / PoE
- 8) Fil en nylon Pour sécuriser la face avant durant le montage
- 9) Bande velcro 2 Pour la fixation permanente du module multi-résidentiel au boîtier de montage arrière
- 10) DoorBird Module multi-résidentiel MTM18A



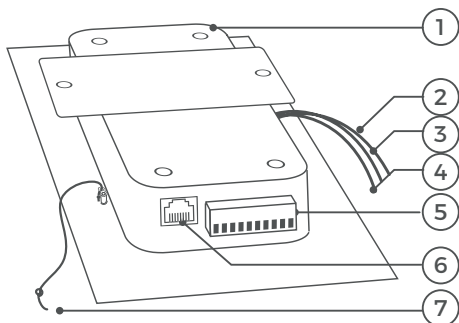
APPAREIL AVEC MODULE ÉCRAN (DISPLAY) ET MODULE CLAVIER (KEYPAD)

Face avant



- 1) Plusieurs LED de vision nocturne
- 2) Vidéo HDTV
- 3) Microphone
- 4) Capteur de luminosité Pour le mode vision nocturne
- 5) Vis de sécurité
- 6) Haut-parleur
- 7) Lecteur RFID
- 8) Capteur de mouvement
- 9) Écran d'affichage (display)
- 10) Clavier (keypad) L'éclairage agit en même temps comme LED de diagnostic

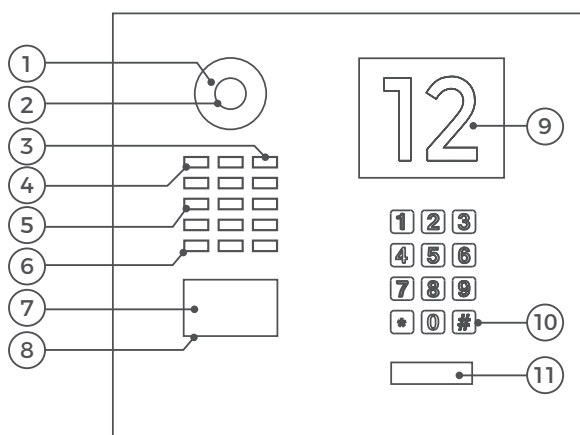
Intérieur



- 1) Unité électrique principale
- 2) Câble jaune pour bouton d'appel (non utilisé)
- 3) Câble rouge port 1 Câble de connexion du module clavier (keypad)
- 4) Câble vert port 2 Câble de connexion à l'écran d'affichage (display)
- 5) Borne de raccordement à vis
- 6) Connecteur LAN / PoE
- 7) Fil en nylon pour sécuriser la face avant pendant le montage

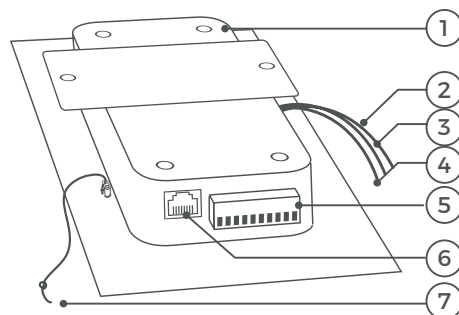
APPAREIL AVEC MODULE INFO ET MODULE CLAVIER (KEYPAD)

Face avant



- 1) Plusieurs LED de vision nocturne
- 2) Vidéo HDTV
- 3) Microphone
- 4) Capteur de luminosité Pour le mode vision nocturne
- 5) Vis de sécurité
- 6) Haut-parleur
- 7) Lecteur RFID
- 8) Capteur de mouvement
- 9) Module info
- 10) Clavier (keypad) L'éclairage agit en même temps comme LED de diagnostic
- 11) Bouton d'appel éclairé avec plaque nominative L'éclairage agit en même temps comme LED de diagnostic

Intérieur



- 1) Unité électrique principale
- 2) Câble jaune pour bouton d'appel (non utilisé)
- 3) Module rouge port 1 Câble de connexion du clavier (keypad)
- 4) Module vert port 2 Câble de connexion du module info
- 5) Borne de raccordement à vis
- 6) Connecteur LAN / PoE
- 7) Fil en nylon Pour sécuriser la face avant pendant le montage

VIDÉOS

Avez - vous besoin d'aide pour l'installation ? Consultez nos vidéos d'installation sur www.doorbird.com/fr/support

Ces vidéos présentent chaque étape de montage de façon très détaillée.

INSTALLATION

Toutes les étapes décrites ci-dessous devraient être scrupuleusement suivies par une personne adulte et responsable, en tenant compte de toutes les

mesures de précaution en vigueur. Si vous avez des questions, veuillez s'il vous plaît nous les adresser directement, ou vous adresser à un spécialiste agréé. Veillez à ce que tous les fils que vous utilisez pour l'installation soient bien intacts sur toute leur longueur et appropriés pour l'utilisation souhaitée.

Vitesse du réseau et éléments du réseau

Assurez-vous que votre connexion Internet dispose bien d'une vitesse de chargement minimale de 0,5 Mbit/seconde. Vous pouvez procéder à tout moment à un test de vitesse grâce à l'application DoorBird. L'expérience utilisateur est à l'image de la

vitesse de votre réseau, de la stabilité de votre réseau et de la qualité des éléments de votre réseau, comme p. ex. votre routeur Internet et vos points d'accès WIFI ou votre répéteur WIFI. Assurez-vous également que les éléments de votre réseau n'aient pas plus de 2 ans, qu'ils aient été fabriqués par un producteur renommé et disposent de la dernière version du firmware. Si ces conditions ne sont pas remplies, il peut en résulter, par exemple, de mauvaises liaisons audio et vidéo, ou des retards dans la transmission des messages d'alerte sonnette sur votre Smartphone ou votre tablette, voire même pas de transmission du tout.

Requise :

Internet à haut débit (réseau fixe) : DSL, câble ou réseau fibre optique Réseau : réseau Ethernet, avec DHCP

ÉTAPE 1 : COUPER L'ALIMENTATION ÉLECTRIQUE



Débranchez l'alimentation électrique de toutes les lignes arrivant à l'emplacement choisi pour le montage, c'est-à-dire, par exemple, le bloc d'alimentation du portier, du carillon de porte, de l'ouvre-porte électrique, du commutateur PoE / de l'injecteur PoE, etc.

ÉTAPE 2 : DÉMONTAGE DE LA SONNETTE EXISTANTE

Le cas échéant, démontez la sonnette ou la station de porte existante.

ÉTAPE 3 : DÉTERMINATION DE L'EMPLACEMENT DE MONTAGE

Grâce à sa lentille grand angle hémisphérique, si une personne se tient à une distance minimale de 50 cm de l'appareil, une hauteur de montage réduite de l'appareil est suffisante. La lentille de la caméra devrait être placée à une hauteur minimale de 145 cm. Voilà pourquoi l'objectif n'est pas réglable mécaniquement. Veuillez vérifier la hauteur avant de procéder au montage final.

Lors du choix de l'emplacement de montage, il faut respecter les conditions de luminosité. Évitez le rayonnement solaire direct, l'éclairage d'arrière-plan direct et les surfaces réfléchissantes.



Un capteur d'images ne peut pas être directement exposé au rayonnement solaire sur une période prolongée. Le rayonnement solaire provoque un aveuglement de la caméra et peut aussi endommager de façon irréversible les petits filtres de couleur sur la puce du capteur d'images.



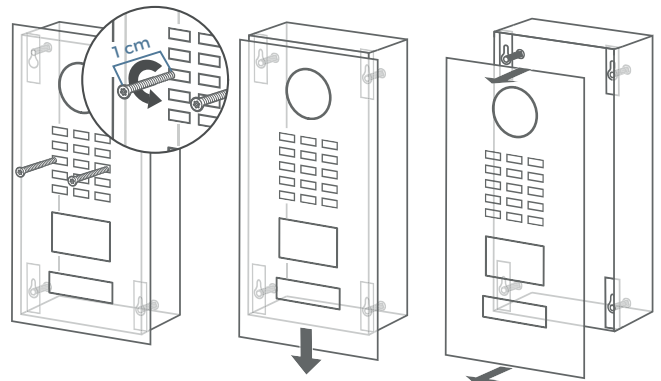
Un dommage occasionné par le rayonnement solaire ne sera pas couvert par la garantie. Le câble réseau entre l'appareil et le routeur Internet / le connecteur PoE / l'injecteur PoE peut avoir une longueur maximale de 80 mètres / 262 pieds (IEEE 802.3).



Si vous n'avez que deux fils à votre disposition à l'emplacement de montage, vous pouvez utiliser notre « Convertisseur Ethernet PoE 2 fils A1071 », vendu séparément. Il vous permet de transmettre des données réseau (Ethernet) et de l'électricité (PoE) via une simple ligne bifilaire sur de longues distances. De cette manière, vous pouvez équiper de la technologie réseau la plus moderne des bâtiments existants qui p. ex. ne disposent que d'un simple câble de sonnette bifilaire, sans pour autant devoir poser un câble réseau.

ÉTAPE 4 : ENLEVER LA FACE AVANT

À l'aide du tournevis fourni, enlevez soigneusement la face avant (avec le module principal) du boîtier de montage arrière.



- 1.) Dévissez les vis de sécurité sur 1 cm.
- 2.) Tirez la face avant vers le bas.
- 3.) Tirez ensuite la face avant vers vous.

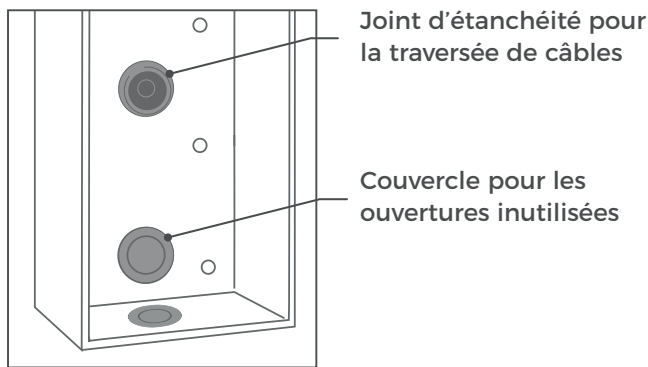
ÉTAPE 5 : FIXATION DU BOÎTIER DE MONTAGE ARRIÈRE

Fixez le boîtier de montage arrière au mur. Vous trouverez les schémas détaillés et les mesures adéquates dans la fiche technique de l'appareil correspondant.

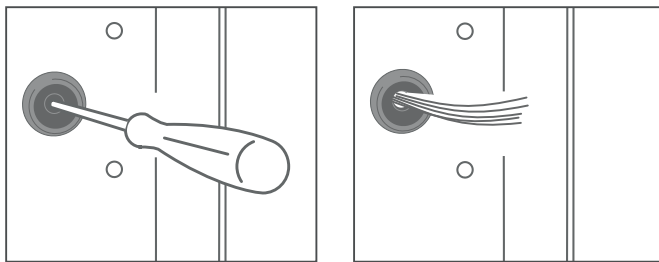


Si vous devez percer des trous dans le mur, placez des vis dans le mur ou ouvrez un mur, assurez-vous au préalable qu'aucun fils ou canalisation (gaz, eau, etc.) ne se trouve dans ce mur.

Montage en Saillie du Boîtier



Placer le joint d'étanchéité pour la traversée de câbles dans le trou de montage que vous désirez.



Avec un tournevis, piquer un trou au milieu du joint d'étanchéité en caoutchouc.

Passez tous les câbles et fils que vous voulez connecter à l'appareil à travers le joint en caoutchouc.

ÉTAPE 6 : OPTIONS POUR L'ALIMENTATION ÉLECTRIQUE

L'appareil peut être alimenté en électricité par l'adaptateur secteur livré (option 1), ou par PoE (« Power over Ethernet » ou alimentation par Ethernet, option 2) via un câble réseau. En option, l'appareil peut aussi être alimenté en électricité grâce à un adaptateur secteur sur rails, que vous pouvez vous procurer directement chez nous. L'appareil n'utilise pas de batterie pour son alimentation en énergie.



OPTION 1: ALIMENTATION ÉLECTRIQUE VIA ADAPTATEUR SECTEUR

L'adaptateur secteur est fourni avec un long câble de 250 cm de long avec deux fils isolés.



NOTICE Ne raccordez pas encore l'adaptateur secteur à la prise murale. Utilisez exclusivement l'adaptateur secteur fourni ou l'adaptateur secteur sur rails que vous pouvez vous procurer chez nous séparément car ceux-ci ont été spécialement stabilisés électriquement et sont équipés d'un dispositif de réduction des interférences audio intégré. D'autres adaptateurs secteurs peuvent détériorer le portier vidéo et entraîner une mauvaise qualité de transmission. L'usage d'un autre adaptateur secteur entraîne l'annulation automatique de la garantie.



OPTION 2: ALIMENTATION ÉLECTRIQUE VIA POE

Pour l'alimentation électrique de l'appareil par commutateur PoE (p. ex. D-Link DGS.1008P) ou par injecteur PoE (p. ex. TP-Link TL-PoE150S) en conformité avec la norme PoE IEEE 802.3af Mode A, vous devrez utiliser les quatre fils numérotés 1, 2, 3 et 6 d'un câble réseau de cat. 5 ou supérieure. Il est impératif d'utiliser un câble réseau de cat. 5 ou supérieure, car les signaux du réseau ne peuvent être transmis que via des câbles entièrement isolés, blindés et torsadés. Si vous utilisez le PoE comme alimentation électrique, les quatre fils pour PoE forment simultanément la liaison de données. L'appareil ne démarrera pas si votre commutateur PoE ou votre injecteur PoE ne prend pas en charge la norme PoE IEEE 802.3af Mode A (cf. LED et sons de diagnostic).



1. Débranchez le commutateur PoE ou l'injecteur PoE de la prise de courant.
2. Amenez le câble réseau à l'emplacement de montage de l'appareil.

Vous trouverez de plus amples informations sur la PoE ici : <http://www.doorbird.com/de/poe>

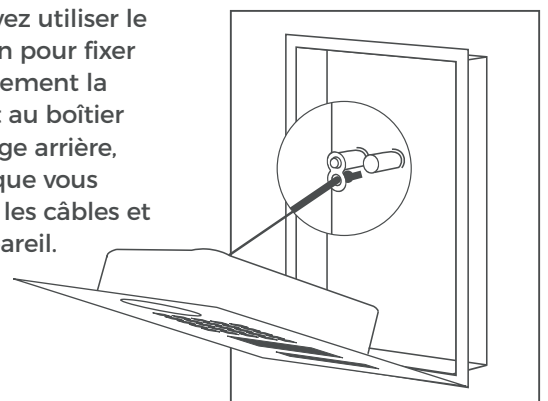
ÉTAPE 7 : BRANCHER L'APPAREIL

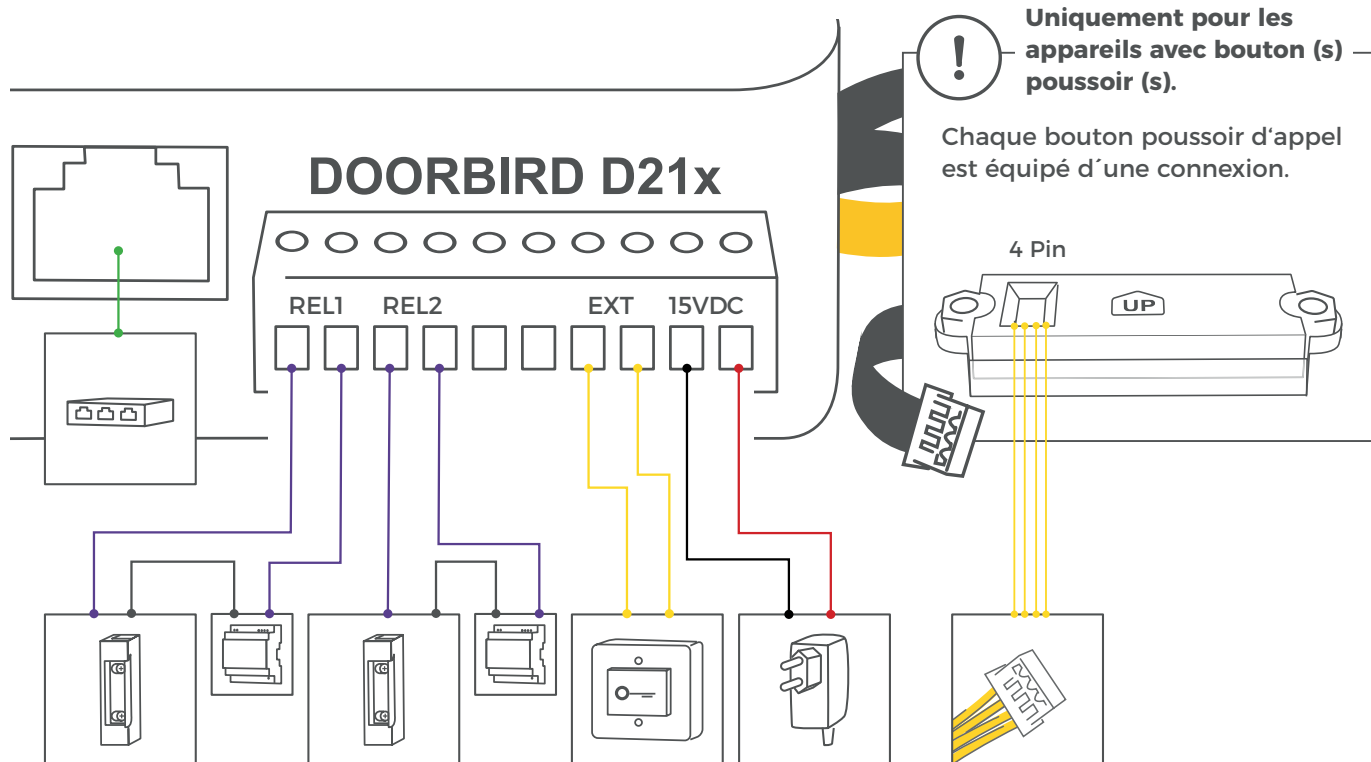
Les câbles et fils sont raccordés très simplement à l'appareil via des ports de raccordement étiquetés. Vous pouvez à présent brancher tous les câbles et fils nécessaires à l'appareil. Veuillez s'il vous plaît enlever des ports de raccordements les câbles et fils dont vous n'aurez pas besoin. Dénudez sur environ 5 mm l'extrémité des fils que vous allez connecter au bloc vert de la borne de raccordement à vis.



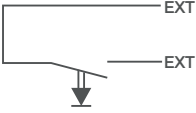
Manipulez la face avant avec précaution. La surface de la face avant pourrait être griffée ou endommagée si vous la manipulez sans précaution en cours d'installation.

Vous pouvez utiliser le fil en nylon pour fixer temporairement la face avant au boîtier de montage arrière, pendant que vous raccordez les câbles et fils à l'appareil.





PORT	DESCRIPTION
LAN/POE	<p>Prise RJ45 pour connecter un câble réseau standard Cat. 5 ou mieux, provenant du routeur Internet/commutateur PoE/ injecteur PoE.</p> <p>NOTICE Ne branchez pas l'appareil simultanément par le bloc d'alimentation (adaptateur secteur) et l'alimentation électrique via PoE.</p>
REL1, REL1	<p>Relais de verrouillage bi-stable #1, max. 24 V DC/AC, 1 Ampère. Mesure de sécurité : Le relais conserve son état même en cas de coupure de courant. Vous pouvez configurer l'état par défaut du relais (ouverture/fermeture) via l'application DoorBird. Ces relais peuvent être utilisés pour connecter p. ex. un ouvre-porte électrique. L'appareil n'alimente pas l'appareil raccordé. L'alimentation électrique de l'ouvre-porte électrique doit être installée séparément.</p> <p>i Lorsqu'un ouvre-porte électrique est directement raccordé à un portier vidéo, un risque de manipulation par un tiers non autorisé existe (p. ex. en cassant le portier vidéo et en court-circuitant le câblage de l'ouvre-porte). Par conséquent, nous recommandons généralement l'utilisation d'un relais de sécurité à distance monté à l'intérieur (p. ex. DoorBird commande de porte E/S A1081) pour le câblage d'un ouvre-porte électrique pour une installation plus sûre dans votre maison.</p>
REL2, REL2	<p>Relais de verrouillage bi-stable #2, max. 24 V DC/AC, 1 Ampère. Mesure de sécurité : Le relais conserve son état même en cas de coupure de courant. Vous pouvez configurer l'état par défaut du relais (ouverture/fermeture) via l'application DoorBird. Ces relais peuvent être utilisés pour connecter p. ex. un ouvre-porte électrique. L'appareil n'alimente pas l'appareil raccordé. L'alimentation électrique de l'ouvre-porte électrique doit être installée séparément.</p> <p>i Lorsqu'un ouvre-porte électrique est directement raccordé à un portier vidéo, un risque de manipulation par un tiers non autorisé existe (p. ex. en cassant le portier vidéo et en court-circuitant le câblage de l'ouvre-porte). Par conséquent, nous recommandons généralement l'utilisation d'un relais de sécurité à distance monté à l'intérieur (p. ex. DoorBird commande de porte E/S A1081) pour le câblage d'un ouvre-porte électrique pour une installation plus sûre dans votre maison.</p>

PORT	DESCRIPTION
EXT, EXT 	<p>Bouton ouvre-porte, max. 0 V DC/AC, 0 Ampère. Ces relais peuvent être utilisés pour, p. ex. relier un bouton ouvre-porte à l'appareil, à l'intérieur de la maison. Il déclenche le premier relais de verrouillage bi-stable de l'appareil (REL1, REL1).</p> <p>NOTICE Veuillez vous assurer de ne pas envoyer de tension à ces relais. Une tension supplémentaire peut détruire l'appareil immédiatement.</p>
15 VDC -	<p>Entrée alimentation électrique 15 V DC, borne négative (-). Veuillez s'il vous plaît brancher le fil noir du bloc d'alimentation livré (adaptateur secteur) avec cette connexion, si vous n'alimentez pas l'appareil par PoE.</p> <p>NOTICE Ne combinez pas l'alimentation électrique par adaptateur secteur avec l'alimentation électrique par PoE.</p>
15 VDC +	<p>Entrée alimentation électrique 15 V DC, borne positive (+). Veuillez s'il vous plaît brancher le fil rouge du bloc d'alimentation livré (adaptateur secteur) avec cette connexion, si vous n'alimentez pas l'appareil par PoE.</p> <p>NOTICE Ne combinez pas l'alimentation électrique par adaptateur secteur avec l'alimentation électrique par PoE.</p>



Uniquement pour les appareils avec bouton (s) poussoir (s): _____

4 PIN (SWITCH)

Utilisez le câble jaune pour connecter le bouton à la platine de rue vidéo IP.



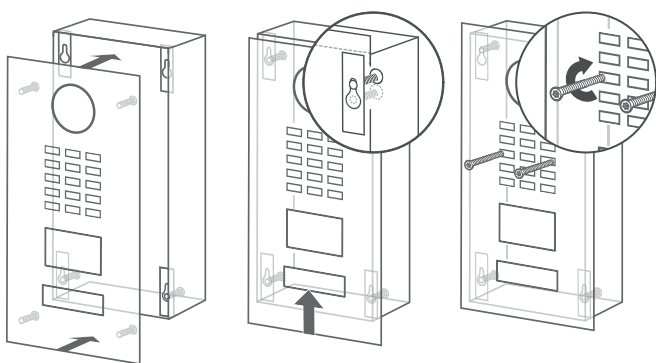
Veillez faire très attention lors de la connexion des câbles et des fils, car une mauvaise connexion peut endommager l'appareil. Les fils sans isolant ne devraient pas dépasser du bloc vert de la borne de raccordement à vis, car cela pourrait entraîner un court-circuit électrique et endommager l'appareil.



Les câbles jaunes, verts et rouges, qui sortent du côté latéral de l'unité électrique principale, ne peuvent être employés que pour connecter des composants qui sont certifiés par Bird Home Automation.

ÉTAPE 8 : FIXATION DU PANNEAU AVANT

Fixez la face avant de l'appareil au boîtier de montage arrière.



- 1.) Poussez la face avant dans le boîtier de montage arrière.
- 2.) Faites coulisser la face avant vers le haut.
- 3.) Insérez les vis de sécurité.

ÉTAPE 9 : MISE EN MARCHÉ

Remettez sous tension l'alimentation électrique menant à l'emplacement de montage. Si vous souhaitez alimenter l'appareil par PoE, veillez à ce que le commutateur PoE / l'injecteur PoE connecté à l'appareil soit allumé.



Ne combinez pas l'alimentation électrique par adaptateur secteur avec l'alimentation électrique par PoE.

Les LED de diagnostic vous permettent de vérifier si l'appareil est bien alimenté en électricité. Elles s'allument après un laps de temps de 30 à 60 secondes, après la mise sous tension de l'appareil. L'appareil est opérationnel (procédure de démarrage, mises à jour éventuelles de logiciels, etc.) dès qu'il a émis un court son de diagnostic à partir du haut-parleur intégré. Cela peut prendre jusqu'à cinq minutes. Si la DEL Diagnostic ne s'allume pas, veuillez vérifier l'alimentation électrique. Si vous utilisez une alimentation par secteur et non par PoE, vérifiez si vous avez correctement raccordé les bornes positive et négative à l'appareil.

ÉTAPE 10 : TÉLÉCHARGEMENT ET INSTALLATION DE L'APPLICATION

Téléchargez l'application « DoorBird » de Bird Home Automation via l'Apple App Store ou le Google Play Store sur votre terminal mobile. Vous trouverez la toute dernière version du mode d'emploi de l'application en visitant la page www.doorbird.com/fr/support

Dans l'application DoorBird, allez dans « Paramètres > Ajouter » et cliquez sur le symbole du code QR dans le champ « Nom d'utilisateur ». Scannez le code QR du passeport digital Fourni avec l'appareil.

Au cas où vous rencontreriez des problèmes pour ajouter l'appareil à l'application, contrôlez si l'appareil est bien en ligne (www.doorbird.com/fr/checkonline). Si votre appareil n'est pas en ligne, vérifiez votre connexion réseau et l'alimentation électrique de l'appareil.

LED DE DIAGNOSTIC

Les LED de diagnostic vous permettent de vérifier si l'appareil est bien alimenté en électricité. Elles s'allument après un laps de temps de 30 à 60 secondes, après la mise sous tension de l'appareil.

SONS DE DIAGNOSTIC

Après environ 5 minutes, l'appareil émettra de brefs sons de diagnostic lorsqu'il sera raccordé au réseau électrique.

CAPTEUR DE MOUVEMENT

L'appareil dispose d'un capteur de mouvement intégré disposant de la technologie 4D. Vous pouvez l'utiliser pour paramétrer de nombreuses actions, par exemple pour envoyer une alarme sur un terminal mobile, ou commuter un relais qui déclenchera une lumière extérieure.

LECTEUR RFID

Le lecteur RFID intégré peut être utilisé pour paramétrer de nombreuses actions, par exemple pour déverrouiller / verrouiller des portes ou pour armer / désarmer votre système d'alarme. Pour des raisons de sécurité, le lecteur RFID a une portée très courte (0 - 3 cm, 0 - 1,18 pouces). Par conséquent, vous devez tenir votre balise RFID compatible (badge) très près du lecteur RFID. Vous pouvez configurer le lecteur RFID via l'application DoorBird.



Pour des raisons de sécurité, le lecteur RFID ne fonctionne qu'à courte distance.

API

L'appareil dispose d'une interface de programmation API bien documentée pour une intégration dans des applications tierces. Vous trouverez de plus amples informations à l'adresse www.doorbird.com/fr/api

DOORBIRD CONNECT

L'appareil dispose de nombreuses possibilités d'intégration dans des applications tierces. Vous trouverez de plus amples informations à l'adresse www.doorbird.com/fr/connect

MODIFIER LE LIBELLÉ D'UNE PLAQUE NOMINATIVE



Concerne seulement les appareils dotés d'un ou plusieurs boutons d'appel avec plaque nominative éclairée.



Service de gravure pour une gravure moderne et propre: www.doorbird.com/fr/engraving

Veillez s'il vous plaît suivre l'ÉTAPE 1 pour couper l'alimentation électrique. Nous recommandons d'utiliser un tournevis à fente mince pour retirer le couvercle de la plaque nominative. Nous recommandons d'utiliser du papier blanc qui n'absorbe pas l'humidité pour l'étiquette.

ENTRETIEN DES PRODUITS DOORBIRD

Entretien et nettoyage

Les produits DoorBird sont fabriqués à partir de matériaux de haute qualité et sont conçus pour une longue durabilité. Comme les DoorBirds sont généralement installés dans des zones extérieures non protégées, ils sont exposés à des conditions météorologiques défavorables et à des substances agressives, en particulier sur des routes, près des côtes ou dans des zones industrielles. Veuillez donc respecter les consignes d'entretien suivantes. Nous ne pouvons pas être tenus responsables des dommages si ces instructions ne sont pas respectées.

Les saletés agressives telles que les excréments d'oiseaux doivent être éliminées le plus rapidement possible.



N'utilisez jamais de produits de nettoyage abrasifs tels que la laine de fer ou un décapant !

L'eau chaude est généralement suffisante, si nécessaire avec un peu de détergent, un chiffon doux ou une brosse. Les pièces en plastique (caméra ou étiquettes nominatives) ne doivent pas être traitées avec un produit d'entretien métallique. Après l'entretien, enlevez tous les résidus du nettoyant ou du lubrifiant pour éviter les taches ou la décoloration.

Acier inoxydable

Nous utilisons uniquement de l'acier inoxydable allemand de haute qualité pour les produits DoorBird. Cependant, l'acier inoxydable de haute qualité peut également rouiller en surface, car environ 70% de l'acier inoxydable est constitué de fer. La résistance à la rouille n'est obtenue que par une couche protectrice (aussi appelée couche passive), qui recouvre le fer comme une peau. Cette couche protectrice se compose essentiellement de chrome et d'autres métaux semi-précieux.

Les particules de fer, la poussière de meulage et les copeaux déposés sur l'acier inoxydable peuvent conduire à la corrosion (film de rouille). Ces particules de fer se retrouvent partout dans l'air, mais surtout dans les zones industrielles, près de la côte et sur les routes très fréquentées. Veuillez enlever immédiatement les dépôts ferreux, car ils attaqueront votre système DoorBird et provoqueront une véritable rouille s'ils ne sont pas enlevés. Pour

enlever la rouille, il suffit d'essuyer la poussière ; en outre, il est recommandé d'utiliser un produit d'entretien, par exemple WD 40, disponible p.ex. chez Amazon pour moins de 5,00 €. Il suffit d'appliquer une fine couche et de frotter. Il en va de même si la rouille se forme sur les gravures de la surface de l'acier inoxydable.

Les éclaboussures de ciment ou de tarte doivent être soigneusement enlevées dès que possible à l'aide d'une spatule en bois avant qu'elles ne durcissent.

Les produits de nettoyage suivants ne doivent pas être utilisés car ils réduisent la résistance à la corrosion :

- produits contenant du chlorure et de l'acide chlorhydrique
- eau de javel (en cas d'utilisation accidentelle, rincer abondamment à l'eau)
- polissage de l'argent

Après chaque nettoyage rincer à l'eau claire, avec un chiffon humide et essuyez pour éviter la formation de tartre. Les résidus de calcaire peuvent être évités en utilisant de l'eau déminéralisée.

Acier inoxydable traité au PVD

Les surfaces traitées au PVD, chromées ou dorées sont recommandées pour le nettoyage avec un détergent dégraissant et de l'eau claire ou avec un chiffon en microfibrilles propre et sans poussière. Pour les surfaces très brillantes, utilisez un chiffon sans rayure (p. ex. chiffon de nettoyage pour les verres, chiffon à polir les meubles, etc.)

Surfaces laquées

Nettoyer les surfaces laquées et les lettres avec un chiffon doux, sans rayure, humidifié avec une solution savonneuse douce (p. ex. chiffon de nettoyage pour les verres, chiffon de polissage de meubles, etc. Pour éviter les taches ou la décoloration, le produit de nettoyage doit être essuyé sans laisser de résidus. Soyez particulièrement vigilant lors du marquage afin de ne pas endommager le film ou l'impression.)

DONNÉES TECHNIQUES

GÉNÉRALITÉS	
Alimentation électrique	15 V DC (max. 15 W) ou Power over Ethernet (PoE 802.3af Mode-A)
Module d'information *	3.5", éclairé
Écran d'affichage*	LCD 3,5" (sans fonction tactile), éclairé, pour l'affiche d'un message d'accueil de 2 lignes et du répertoire de noms (max. 100 entrées)
Clavier*	16 touches, éclairé, configurable via App, p. ex. <ul style="list-style-type: none"> • Codes PIN individuels • Événements individuels (p. ex. commutation d'un relais, message push, appel SIP [Audio/ Vidéo], notification HTTP (s)) • Plages horaires individuelles • Possibilité de gérer jusqu'à 100 codes PIN
Alimentation électrique	15 V DC (max. 15 W) ou Power over Ethernet (PoE 802.3af Mode-A)
Connexions	<ul style="list-style-type: none"> • RJ45, pour LAN/PoE • Relais de verrouillage bistable #1, max. 24 V DC/AC, 1 Ampère, par exemple pour ouvre-porte électrique • Relais de verrouillage bistable #2, max. 24 V DC/AC, 1 A, par exemple pour ouvre-porte électrique • Entrée externe, pour bouton ouvre-porte externe (libre de potentiel) • Entrée 15 V DC (+, -), max. 15 W • Des relais supplémentaires peuvent être ajoutés et contrôlés grâce à la commande de porte IP E/S DoorBird
Protection intempéries	Oui, IP65
Conformités	IP65, CE, FCC, IC, RoHS, IK08, REACH, IEC/EN 62368, IEC/EN 62471
Conditions de service	-25°C à +55°C / -13°F à 131°F Humidité relative de l'air 10 à 85 % (sans condensation)

Contenu de la livraison	1x Unité électrique principale 1x Face avant* 1x Boîtier de montage arrière* 1x Adaptateur secteur avec 4 adaptateurs pays (110 - 240 V AC to 15 V DC) 1x Badge RFID 1x Tournevis 1x Guide de démarrage rapide avec passeport digital 1x Manuel d'installation 1x Petites pièces
Garantie	Voir www.doorbird.com/fr/warranty

CONFIGURATION REQUISE

Système requis	Appareil mobile : Dernière version IOS pour iPhone/iPad, dernière version Android pour Smartphone/Tablette Internet : connexion Internet haut débit fixe haute vitesse à large bande, DSL, câble ou fibre, pas de socks ou de serveur proxy Réseau : réseau Ethernet avec DHCP L'objectif de la caméra doit être placé à au moins 145 cm (57 in). Veuillez vérifier la hauteur optimale pour votre site avant de commencer l'installation.
Hauteur de montage recommandée	

VIDÉO

Caméra	HDTV 720p, dynamique (VGA - HDTV)
Objectif	Lentille hémisphérique de pointe, ultra grand-angle 180° (D), 140° (H), 100° (V), redressé, mode vision infrarouge
Vision nocturne	Oui, capteur de luminosité, filtre IR-Cut automatique, 12 LEDS infrarouge (850 nm)

AUDIO

Composants audio	Haut-parleur et microphone, réduction de bruit et d'écho (AEC, ANR)
Streaming Audio	Bidirectionnel, duplex intégral

RÉSEAU

Ethernet	Prise RJ45, PoE 802.3af Mode-A, 10/100 Base-T
Protocoles pris en charge	HTTP, HTTPS, SSL/TLS, Bonjour, DNS, RTSP, RTP, TCP, UDP, RTCP, ICMP, DHCP, ARP, SIP, DTMF (RTP [RFC-2833], SIP INFO [RFC-2976]), STM

CAPTEUR DE MOUVEMENTS

Type	Actif
Angle de détection	54° (H), 70° (V)
Portée	1 - 10 m (3,3 - 32,9 ft), selon l'environnement, configurable par tranche de 1 m (3,3 ft) Quand un « module écran (display) » est raccordé au module électrique principal, la portée est limitée à 1 m (3,3 pieds).
Technologie	4D. Basée sur de multiples capteurs et algorithmes intégrés, p. ex. l'énergie radiofréquence (RFE)
Configuration	Via l'application DoorBird, par ex. <ul style="list-style-type: none">• Champ d'application (1 - 10 m / 3,3 - 32,9 ft)• Direction (en s'approchant, en s'éloignant, les deux directions en même temps)• Événements individuels (p. ex. un relais bouton-poussoir, message push, appel SIP [Audio/Vidéo], notification HTTP (s))• Horaires individuels

RFID

Type	système d'étiquette passive d'identification par radiofréquence (ARPT)
Standard	ISO/IEC 18000-2:2009 Partie 2, EM4100, EM4102
Fréquence	125 KHz
Portée	0 - 3 cm, selon l'environnement
Antenne	Interne
Transpondeur compatible	Badges RFID, disponibles séparément, voir www.doorbird.com/fr/buy Possibilité de gérer jusqu' à 100 badges.
Configuration	Via l'application DoorBird, par ex. <ul style="list-style-type: none">• Badge (ajouter/supprimer)• Événements individuels (p. ex. un relais bouton-poussoir, message push, appel SIP [Audio/Vidéo], notification HTTP (s))• Horaires individuels

MODULES SANS FIL INTÉGRÉS

RFID	125 KHz
Capteur	24 GHz, peut être désactivé

INTÉGRATION DE TIERS FOURNISSEURS (DOORBIRD CONNECT)

Pour l'intégration des partenaires	Voir www.doorbird.com/fr/connect
API	Voir www.doorbird.com/fr/api
Vidéo simultanée streams	Un, pour l'enregistrement continu et basé sur l'événement

ACCESSOIRES OPTIONNELS

Disponibles séparément	Voir www.doorbird.com/fr/buy
------------------------	---

*: seulement sur certains modèles ou configuration

Sous réserve d'erreurs et d'omissions.

MENTIONS LÉGALES

Généralités

1. DoorBird est une marque déposée de Bird Home Automation GmbH.
2. Apple, le logo Apple, Mac, Mac OS, Macintosh, iPad, Multi-Touch, iOS, iPhone et iPod touch sont des marques commerciales d'Apple Inc.
3. Google, Android et Google Play sont des marques commerciales de Google, Inc.
4. La marque verbale et les logos Bluetooth® sont des marques commerciales de Bluetooth SIG, Inc.
5. Tous les autres noms d'entreprises et de produits peuvent être des marques commerciales de leurs détenteurs respectifs, avec lesquels elles ont été associées.
6. Nous nous réservons le droit d'apporter à nos produits des modifications favorisant le progrès technique. Dans le sillage des évolutions techniques permanentes, les produits représentés peuvent également différer visuellement des produits livrés.
7. Toutes les reproductions et tous les transferts de textes, d'illustrations et de photos issus de ce mode d'emploi, sur tout type de support, en tout ou en partie, sont exclusivement autorisés moyennant notre consentement écrit.
8. La création de ce mode d'emploi est protégée par les droits d'auteur. Nous déclinons toute responsabilité pour d'éventuelles erreurs, aussi bien de contenu que de typographie (également dans les données techniques ou au sein des graphiques et schémas techniques).
9. Nos produits sont conformes aux directives techniques, aux prescriptions en matière électrique et en matière de télécommunications en vigueur en Allemagne, dans l'Union européenne et aux États-Unis.

Protection et sécurité des données

1. Pour une sécurité maximale, l'appareil utilise les mêmes techniques de cryptage que la banque en ligne. Pour votre sécurité, nous ne faisons pas appel aux redirections de ports ni au service DynDNS
2. L'emplacement du centre de données pour l'accès distant par application sur Internet se trouve obligatoirement sur le territoire de l'Union européenne, si l'emplacement de l'appareil dont les adresses IP ont été détectées sur Internet se trouve sur le territoire de l'Union européenne. Le centre de données est exploité conformément aux normes de sécurité les plus strictes.
3. Les méthodes de surveillance vidéo, audio et autres peuvent être réglementées par des lois qui varient d'un pays à l'autre. Vérifiez les lois en vigueur dans votre région avant d'installer et d'utiliser cet appareil de surveillance.

Quand il s'agit d'un appareil du type portier électronique, station intérieure ou caméra :

- Dans de nombreux pays, les images vidéo et la voix ne peuvent être transférées qu'après qu'un visiteur ait sonné (protection des données, configuration possible dans l'application)
- Exécutez le montage de sorte que le champ de détection de la caméra se limite exclusivement à la zone d'entrée directe.
- L'appareil dispose, le cas échéant, d'un historique intégré des visites et d'un capteur de mouvements. Si nécessaire, vous pouvez activer et désactiver ces fonctions.

Veuillez vérifier auprès du propriétaire et de votre communauté si vous êtes autorisé à installer et utiliser ce produit. Bird Home Automation GmbH décline toute responsabilité en cas de mauvaise utilisation ou de mauvaise configuration de ce produit, y compris dans le cas de l'ouverture non autorisée d'une porte.

Bird Home Automation ne peut être tenu responsable des dommages causés par une mauvaise installation ou une installation incorrecte.

Si nécessaire, signalez la présence de l'appareil à l'endroit adéquat et de la manière adéquate.

Conformez-vous à toutes les dispositions légales en vigueur dans votre pays et pertinentes par rapport au lieu d'installation choisi pour l'utilisation de dispositifs et de caméras de surveillance.

Les mises à jour du logiciel ou du système d'exploitation (appelées „mises à jour du firmware“) sont normalement installées automatiquement sur les produits de Bird Home Automation GmbH via internet, si cela est techniquement possible. Les mises à jour automatiques du firmware maintiennent les logiciels des produits actualisés afin que ceux-ci fonctionnent toujours de manière fiable, sûre et efficace. Grâce aux améliorations continues, des fonctions peuvent être ajoutées, étendues ou légèrement modifiées au fil du temps. Des modifications ou limitations importantes des fonctions existantes ne se produisent normalement que lorsque Bird Home Automation GmbH le juge nécessaire (par ex. en raison de la protection des données, de la sécurité, de la stabilité des données ou encore, afin de tenir celles-ci à jour). Lorsqu'une mise à jour du firmware est disponible, les serveurs de Bird Home Automation GmbH la distribuent en général automatiquement à tous les produits compatibles connectés à internet ou aux serveurs de Bird Home Automation GmbH. Ce processus est graduel et peut prendre plusieurs semaines. Dès qu'un produit reçoit une mise à jour du firmware, le système s'installe et redémarre généralement par lui-même. Les mises à jour du firmware installées ne peuvent pas être annulées. Etant donné que les produits et logiciels de Bird Home Automation GmbH ne sont pas explicitement des produits spécifiques au client, il est impossible au client de refuser une mise à jour automatique si le produit est connecté à internet ou au serveur de Bird Home Automation GmbH.

Information sur le recyclage

Indication en matière de traitement des déchets : ne jetez pas l'appareil dans la poubelle ménagère ! Conformément à la directive relative aux déchets d'équipements électriques et électroniques, les appareils électroniques doivent être éliminés

Éditeur

Bird Home Automation GmbH
Uhlandstraße 165
10719 Berlin
Deutschland
Web: www.doorbird.com
Email: hello@doorbird.com

MANUAL DE INSTALACIÓN

Lea atentamente estas instrucciones antes de comenzar a utilizar cualquier producto.

Guarde el manual para que pueda consultarlo más adelante si es necesario. Si entrega el producto a otras personas para su uso, por favor, entregue también el manual de instalación para su correcta operación.

Encontrará siempre la versión más actualizada del manual de instalación en www.doorbird.com/support

Para hacer las cosas más fáciles usamos el término „dispositivo“ para el producto „Videoportero IP“ y „dispositivo móvil „para un smartphone o tablet.

Responsabilidad

En la preparación de este documento se ha puesto el máximo cuidado. Por favor informe a Bird Home Automation GmbH de cualquier inexactitud u omisión. Bird Home Automation GmbH no se hace responsable de cualquier problema técnico o errores tipográficos y se reserva el derecho de hacer cambios en el producto y manuales sin previo aviso. Bird Home Automation GmbH no da ninguna garantía de cualquier tipo con respecto al contenido de este documento, incluyendo pero no limitado a, las garantías implícitas de comerciabilidad y adecuación para un propósito en particular. Bird Home Automation GmbH tampoco será responsable, ni se responsabiliza de los daños incidentales o consecuentes en relación con el mobiliario, funcionamiento o uso de este material. Este producto es sólo para ser utilizado para el propósito previsto.

Modificaciones de equipos

Este equipo debe instalarse y utilizarse de acuerdo con las instrucciones que figuran en la documentación del usuario. Este equipo no contiene componentes que requieren servicio por parte del usuario. Los cambios o modificaciones no autorizados en el equipo invalidarán todas las certificaciones y aprobaciones reglamentarias aplicables.

Símbolos utilizados



Peligro: Indica una situación peligrosa que, si no se evita, causará la muerte o lesiones graves.



Advertencia: Indica una situación peligrosa que, si no se evita, podría causar la muerte o lesiones graves.



Precaución: Indica una situación peligrosa que, si no se evita, puede resultar en lesiones leves o moderadas.



Aviso: Indica una situación que, si no se evita, podría resultar en daños a la propiedad.



Importante: Indica información importante y esencial para que el producto funcione correctamente.



Nota: Indica información útil que ayuda a sacar el máximo provecho del producto.



ADVERTENCIA

- Por razones de seguridad, aprobación y licencia (CE/FCC/IC, etc.), no se permite el cambio y/o modificación no autorizada del dispositivo.
- El dispositivo no es un juguete; no permita que los niños jueguen con él. No deje el material de embalaje tirado por ahí. Las películas /bolsas plásticas, piezas de poliestireno, etc. pueden ser peligrosas en las manos de un niño.
- Coloque siempre los cables de tal manera que no se conviertan en un riesgo para las personas y los animales domésticos.
- El voltaje se aplica a las piezas dentro del equipo. No toque ninguna pieza que no esté asociada con la instalación, cableado o conexión, ya que podría resultar en una descarga eléctrica.
- En aparatos que no estén marcados como resistentes a la intemperie: mantenga el aparato lejos del agua o de cualquier otro líquido.
- No instale ni realice ninguna terminación de cable mientras la fuente de alimentación esté enchufada. Puede causar un choque eléctrico o dañar el dispositivo.
- Antes de conectar la alimentación, asegúrese de que los cables no estén cruzados o en cortocircuito, de lo contrario, podría producirse fuego o choque eléctrico.
- El alto voltaje puede estar presente internamente. No abra el dispositivo, podría resultar en una descarga eléctrica.
- El dispositivo no es a prueba de explosión. No lo instale ni utilice cerca de gases o materiales inflamables, podría producirse un incendio o una explosión.
- No instale dos fuentes de alimentación en paralelo a una sola entrada, podría producirse un incendio o daños en el dispositivo. Asegúrese de conectar una sola fuente de alimentación al dispositivo.
- No conecte ningún terminal del dispositivo a una línea de alimentación de AC, ya que

podría producirse un incendio o una descarga eléctrica.

- Evite que el cable de AC se estropee o aplaste. Si el cable de AC está fracturado, podría producirse un incendio o una descarga eléctrica.
- No conecte o desenchufe el dispositivo con las manos mojadas, ya que podría resultar una descarga eléctrica.
- No introduzca metal o material inflamable en el dispositivo, podría ocasionar un incendio, una descarga eléctrica o problemas con el dispositivo.
- El cableado existente, como el cableado de timbre, etc., puede contener electricidad AC de alto voltaje, esto podría ocasionar daños en el dispositivo o descargas eléctricas. El cableado y la instalación deben ser realizados por un electricista calificado.
- Cuando monte el dispositivo en una pared o techo, instale el dispositivo en un lugar conveniente, pero no donde pueda ser sacudido o golpeado, podría ocasionar lesiones.
- En los dispositivos con terminales a tierra, conéctelos a tierra, de lo contrario, podría producirse un incendio o una avería.
- En los aparatos con vidrio de plástico o verdadero, no ejerza presión sobre el vidrio, si se fractura puede resultar en una lesión.
- En los dispositivos con LCD, si la pantalla LCD está perforada, no permita que entre en contacto con el cristal líquido del interior, podría ocasionar lesiones. Si es necesario, hágase gárgaras en la boca y límpiense los ojos o la piel con agua clara durante al menos 15 minutos y consulte a su médico.
- No coloque nada en el dispositivo ni lo cubra con un paño, silicona, pegamento, recubrimiento, cubiertas separadas, etc., podría ocasionar un incendio o problemas con el dispositivo.
- No instale el dispositivo en ninguna de las siguientes ubicaciones, podría ocasionar un incendio, una descarga eléctrica o problemas con el dispositivo.
 - Lugares bajo luz solar directa o lugares cercanos a equipos de calefacción que varían en temperatura.
 - Lugares sujetos a polvo, aceite, productos químicos, sulfuro de hidrógeno (muelles calientes).
 - Lugares sujetos a condiciones extremas de humedad, como baños, bodegas, invernaderos, etc.

- Lugares donde la temperatura es muy baja, como el interior de un área refrigerada o frente a un aire acondicionado.
- Lugares sujetos a vapor o humo (p. ej., cerca de superficies de calefacción o cocción).
- Cuando los dispositivos generadores de ruido, como los interruptores de regulación de intensidad o los aparatos eléctricos inversores, estén cerca.
- Lugares sujetos a vibraciones o impactos frecuentes.
- En los dispositivos con intercomunicador, asegúrese de realizar una prueba de llamadas con bajo volumen de audio en ambos dispositivos de intercomunicación. Una llamada repentina, etc. puede llegar causando, por ejemplo, daños en su oído.
- Si el dispositivo no funciona correctamente, desenchufe la fuente de alimentación.
- Todos los dispositivos que no están marcados como a prueba de mal tiempo están diseñados para uso en interiores solamente. No lo use al aire libre.
- En aparatos marcados a prueba de intemperie: No rociar con agua a alta presión. Pueden surgir problemas con el dispositivo.
- No asumimos ninguna responsabilidad por daños materiales o personales

Instrucciones de seguridad

NOTICE

- El dispositivo debe utilizarse de acuerdo con las leyes y normativas locales.
- Guarde el aparato en un lugar seco y ventilado.
- Evite exponer el dispositivo a golpes o presiones elevadas.
- No instale el dispositivo en soportes, superficies o paredes inestables. Asegúrese de que el material sea lo suficientemente fuerte como para soportar el peso del dispositivo.
- Utilice únicamente las herramientas correspondientes cuando instale el dispositivo. El uso de una fuerza excesiva con las herramientas podría dañar el dispositivo.
- No utilice productos químicos, agentes cáusticos o limpiadores en aerosol.
- Utilice un paño limpio y seco para la limpieza.

NOTICE

- Utilice únicamente accesorios que cumplan las especificaciones técnicas del aparato. Estos pueden ser proporcionados por Bird Home Automation GmbH.
- Utilice sólo piezas de repuesto suministradas o recomendadas por Bird Home Automation GmbH.
- No intente reparar el aparato por su cuenta, contacte a Bird Home Automation GmbH para asuntos de servicio técnico.
- Mantenga el dispositivo a más de 1 m (3.3') de distancia del microondas, radio, TV, enrutador inalámbrico y cualquier otro dispositivo inalámbrico.
- En los dispositivos con intercomunicador, altavoz incorporado o micrófono incorporado o funciones de transmisión de señales, mantenga los cables a más de 30 cm (12") alejados del cableado de AC 100-240 V, podría producirse ruido inducido por la AC y/o mal funcionamiento del dispositivo.
- Instale el dispositivo en un área accesible para futuras inspecciones, reparaciones y mantenimiento.
- Si el dispositivo se usa cerca de un teléfono celular, es posible que funcione mal.
- El dispositivo puede dañarse si se cae, manipular con cuidado.
- El dispositivo se vuelve inoperante durante un corte de corriente eléctrica.
- En los dispositivos con intercomunicador, alta voz incorporado o micrófono incorporado, en áreas donde las antenas de estaciones de radiodifusión celular o de radio/televisión están cerca, el dispositivo puede verse afectado por interferencias de radiofrecuencia.

- En los aparatos con pantalla LCD, hay que tener en cuenta de antemano que el panel LCD, aunque fabricado con técnicas de muy alta precisión, tendrá inevitablemente una pequeña parte de sus elementos de imagen siempre iluminados o no iluminados. Esto no se considera un mal funcionamiento del dispositivo.
- En los dispositivos con intercomunicador, debido al sonido ambiental alrededor del dispositivo, puede dificultar levemente la comunicación, pero esto no es un mal funcionamiento.
- En los dispositivos con nombre de usuario/ contraseña, el usuario/contraseña para acceder al dispositivo es responsabilidad del cliente. Asegúrese de usar una contraseña que no pueda ser fácilmente decifrada por un tercero. Le recomendamos que cambie la contraseña regularmente.
- En ningún caso seremos responsables de los daños que se produzcan debido a fallos en el suministro eléctrico, equipos de red o dispositivos terminales; fallos debidos a proveedores de Internet y proveedores de redes celulares; fallos tales como líneas desconectadas y otras pérdidas en la comunicación, lo que imposibilita la prestación de este servicio, así como en modo alguno retrasar este servicio debido a cualquier otra causa ajena a nuestra responsabilidad; o si se produce un error o falta de datos durante la transmisión.

Transporte

NOTICE

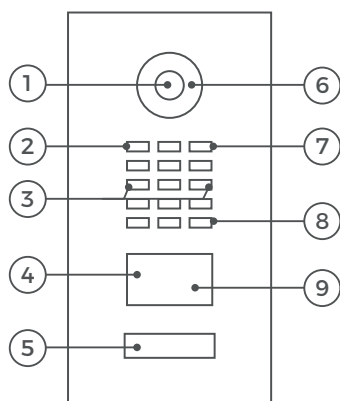
Cuando transporte el aparato, utilice el embalaje original o un embalaje equivalente para evitar daños en el dispositivo.

Información de garantía

Para obtener información sobre la garantía del dispositivo, consulte www.doorbird.com/warranty

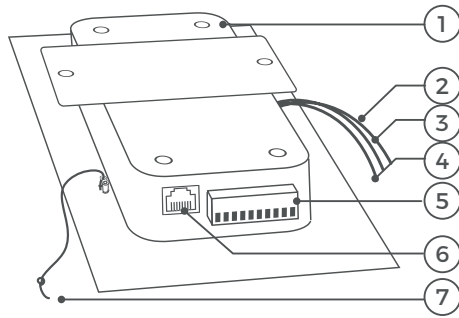
EJEMPLO DE DISPOSITIVO CON 1 TECLA DE LLAMADA

Frontal



- 1) Video HDTV
- 2) Sensor de luz para el modo de visión nocturna
- 3) Tornillos de seguridad
- 4) Sensor de movimiento
- 5) Botones de llamada iluminados con placa de identificación. La iluminación también actúa como LEDs de diagnóstico.
- 6) LEDs de visión nocturna
- 7) Micrófono
- 8) Altavoz
- 9) Lector RFID

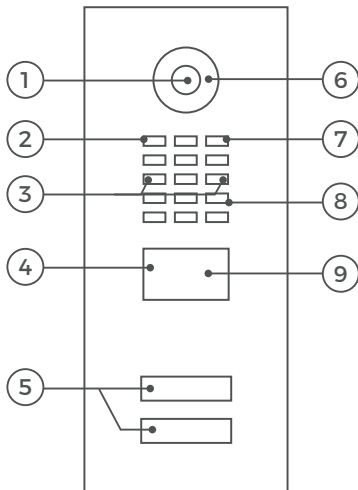
Por dentro



- 1) Unidad Eléctrica Principal
- 2) Cable amarillo para botón de llamada conectado a la tecla de llamada iluminada con placa de identificación
- 3) Cable rojo para el puerto del módulo 1 (no utilizado)
- 4) Cable verde para el puerto del módulo 2 (no utilizado)
- 5) Terminal de conexión para tornillo
- 6) Conector LAN/PoE
- 7) Cordón de nylon para asegurar el panel frontal durante el montaje.

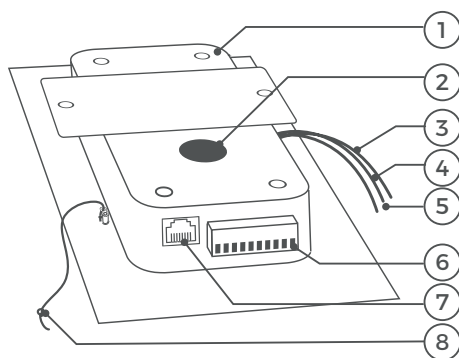
EJEMPLO DE DISPOSITIVO CON 2 Y MÁS BOTONES DE LLAMADA

Frontal

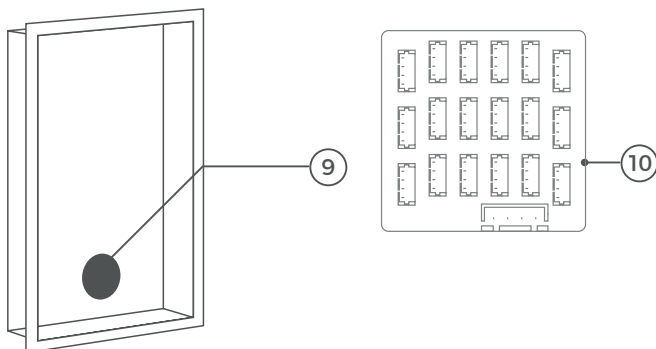


- 1) Video HDTV
- 2) Sensor de luz para el modo de visión nocturna
- 3) Tornillos de seguridad
- 4) Sensor de movimiento
- 5) Botones de llamada iluminados con placa de identificación. La iluminación también actúa como LEDs de diagnóstico.
- 6) LEDs de visión nocturna
- 7) Micrófono
- 8) Altavoz
- 9) Lector RFID

Por dentro

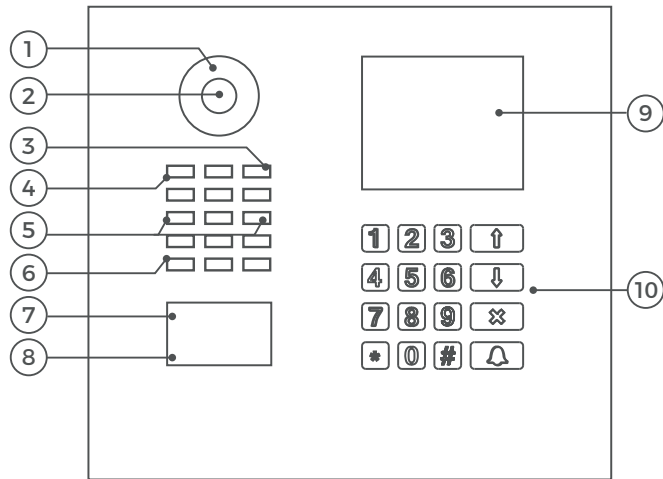


- 1) Unidad Eléctrica Principal
- 2) Cinta de velcro 1 para fijar el módulo multi familiar temporal en la Unidad Eléctrica Principal durante el montaje
- 3) Cable amarillo para botón de llamada conectado a la tecla de llamada iluminada con placa de identificación
- 4) Cable rojo para el puerto del módulo 1 (no utilizado)
- 5) Cable verde para el puerto del módulo 2 (no utilizado)
- 6) Terminal de conexión para tornillo
- 7) Conector LAN/PoE
- 8) Cordón de nylon para asegurar el panel frontal durante el montaje.
- 9) Cinta de velcro 2 Para fijar el módulo multi familiar permanentemente en la caja posterior
- 10) DoorBird Módulo Multi Familiar MTM18A



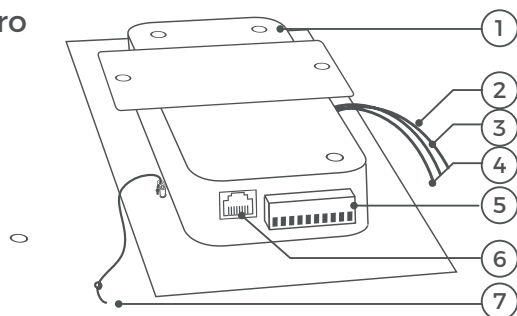
EJEMPLO DE DISPOSITIVO CON MÓDULO DE DISPLAY Y MÓDULO DE TECLADO

Frontal



- 1) LEDs para visión nocturna
- 2) Video HDTV
- 3) Micrófono
- 4) Sensor de luz para el modo de visión nocturna
- 5) Tornillos de seguridad
- 6) Altavoz Por dentro
- 7) Lector RFID
- 8) Sensor de movimiento
- 9) Módulo de Display
- 10) Módulo de Teclado La iluminación también actúa como LEDs de diagnóstico.

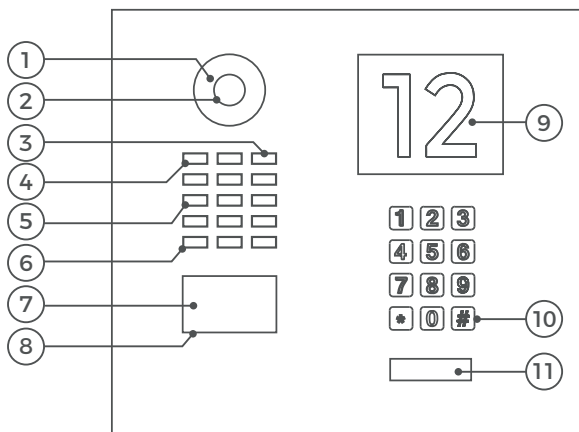
Por dentro



- 1) Unidad Eléctrica Principal
- 2) Cable amarillo para botón de llamada conectado a la tecla de llamada iluminada con placa de identificación
- 3) Cable rojo para el puerto del módulo 1 (no utilizado)
- 4) Cable verde para el puerto del módulo 2 (no utilizado)
- 5) Terminal de conexión para tornillo
- 6) Conector LAN/PoE
- 7) Cordón de nylon para asegurar el panel frontal durante el montaje.

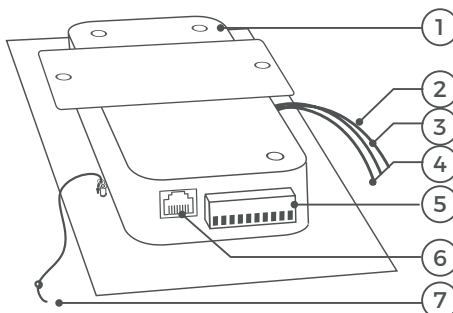
EJEMPLO DE DISPOSITIVO CON MÓDULO DE INFORMACIÓN Y MÓDULO DE TECLADO

Frontal



- 1) LEDs para visión nocturna
- 2) Video HDTV
- 3) Micrófono
- 4) Sensor de luz para el modo de visión nocturna
- 5) Tornillos de seguridad
- 6) Altavoz
- 7) Lector RFID
- 8) Sensor de movimiento
- 9) Módulo de Información
- 10) Módulo de Teclado La iluminación también actúa como LEDs de diagnóstico.
- 11) Botones de llamada iluminados con placa de identificación. La iluminación también actúa como LEDs de diagnóstico.

Por dentro



- 1) Unidad Eléctrica Principal
- 2) Cable amarillo para botón de llamada conectado a la tecla de llamada iluminada con placa de identificación
- 3) Cable rojo para el puerto del módulo 1 (no utilizado)
- 4) Cable verde para el puerto del módulo 2 (no utilizado)
- 5) Terminal de conexión para tornillo
- 6) Conector LAN/PoE
- 7) Cordón de nylon para asegurar el panel frontal durante el montaje.

VIDEOS

¿Necesita ayuda con la instalación? Vea nuestros videos de instalación que se puede encontrar en <http://www.doorbird.com/support>

Cada paso de la instalación está claramente documentado en los videos.

INSTALACIÓN

Todos los pasos que se indican a continuación deben ser llevados a cabo cuidadosamente por un adulto competente, teniendo en cuenta las normas de seguridad aplicables. Si tiene alguna pregunta, póngase en contacto directamente con nosotros o con un especialista competente.

Asegúrese de que todos los cables utilizados para la instalación estén intactos a lo largo de toda su longitud y aprobados para este tipo de uso.

Velocidad de red y componentes de red

Asegúrese de que la velocidad de subida de su conexión a Internet sea de al menos 0,5 Mbps. También puede realizar una prueba de velocidad en cualquier momento a través de la aplicación DoorBird. La experiencia de usuario sólo es tan buena como la velocidad de red, la estabilidad de red y la calidad de los componentes de red, como el enrutador de Internet y los puntos de acceso WiFi o los repetidores WiFi. Asegúrese también de que sus componentes de red no tengan más de dos años de antigüedad, hayan sido fabricados por un fabricante conocido y tengan instalado el firmware más reciente. Si no se cumplen estos requisitos, puede ocurrir, por ejemplo, que el rendimiento de audio y vídeo sea deficiente o que las notificaciones push se retrasen o no lleguen a su smartphone o tablet.

Requisitos:

Internet de alta velocidad (a través de línea fija): DSL, cable o fibra óptica Red: Ethernet, con DHCP

PASO 1: DESCONECTE LA ENERGÍA



Desconecte la alimentación de todos los cables que conducen al lugar de montaje, es decir, el timbre de la puerta, el abrepuertas eléctrico, la fuente de alimentación para el videoportero, etc.

PASO 2: DESMONTAJE DEL TIMBRE EXISTENTE

En caso de que ya haya un timbre en la pared exterior de la casa, por favor desmontarlo.

PASO 3: DETERMINAR EL LUGAR DE MONTAJE

La estación de videoportero utiliza una lente hemisférica ultra gran angular, de modo que, incluso cuando la persona está a una distancia mínima de 50 cm (19,68 pulgadas) de la estación de videoportero, es suficiente una baja altura de instalación y la visión será óptima. Es importante comprender que la lente no es ajustable mecánicamente, por lo tanto se recomienda instalar la lente de la cámara a una altura de por lo

menos 145 cm (57 pulgadas). Puede comprobarlo antes del montaje final.

Al elegir el lugar de montaje, tenga en cuenta las condiciones de iluminación. Evite la luz solar directa, la retroiluminación directa y las superficies reflectantes.



No exponga el aparato a la luz solar directa. La temperatura de la carcasa puede sobrepasar el límite máximo de temperatura permitido. Esto puede ocasionar daños en los componentes eléctricos y mecánicos del dispositivo y lesiones, especialmente al tocar las partes exteriores del dispositivo. Las placas frontales blancas y brillantes de color plateado absorben menos luz solar que las oscuras.



Un sensor de imagen no debe exponerse a la luz solar directa durante un período de tiempo prolongado. La luz solar directa „ciega“ la cámara y puede blanquear permanentemente los filtros.



Cualquier defecto causado por la luz solar directa no está cubierto por la garantía.

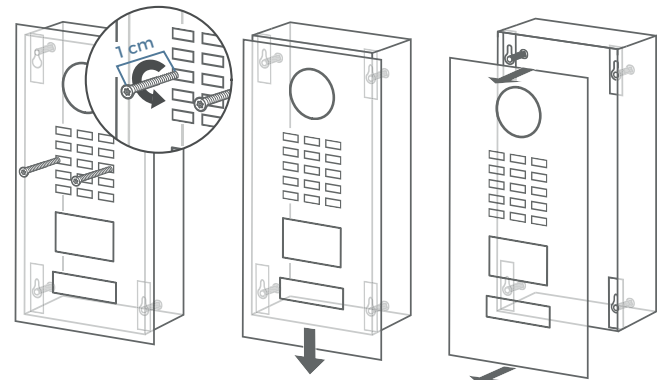
El cable de red entre el dispositivo y el router PoE-Switch/PoE-Injector/Internet Router puede tener una longitud máxima de 80 metros/262 pies (IEEE 802.3).



Si sólo tiene dos cables disponibles en el lugar de montaje, puede utilizar el „DoorBird 2-Wire Ethernet PoE Converter A1071“, que se vende por separado. Permite transferir datos de red (Ethernet) y potencia (PoE) con un simple cable de dos hilos a grandes distancias. Por ejemplo, los edificios existentes con un simple cable de campana de dos hilos pueden equiparse con tecnología de red sin tener que actualizar los cables de red.

PASO 4: DESMONTAJE DE LA PLACA FRONTAL

Retire la placa frontal con cuidado utilizando el destornillador suministrado con el dispositivo desde la carcasa de montaje (caja trasera).



1.) Sacar los tornillos de seguridad aprox. 1 cm.

2.) Baje el panel frontal.

3.) Tire del panel frontal hacia usted.

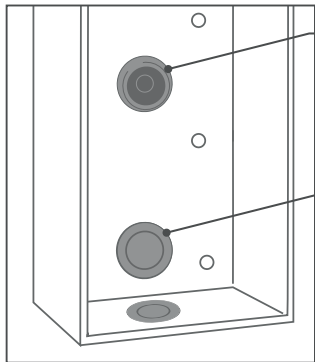
PASO 5: ENSAMBLAJE DE LA CARCASA DE MONTAJE

Monte la carcasa de montaje (backbox) en la pared. Encontrará los planos detallados y las medidas del aparato en la hoja de datos correspondiente al dispositivo.



Tiene que taladrar agujeros en una pared, inserte tornillos en la pared o levante una pared, asegúrese de que no se encuentren cables o tuberías eléctricas (gas, agua, etc.) en la pared.

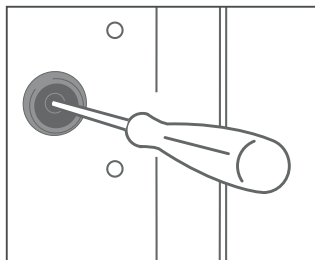
Montaje de la carcasa de montaje en superficie



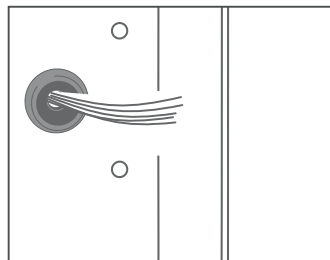
Goma de sellado para el paso de cables

Tapa para aberturas no utilizadas

Coloque la goma de sellado para el paso de cables en la abertura de montaje deseada.



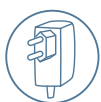
Inserte un destornillador a través del centro de la goma de sellado.



Pase todos los cables y alambres que desee conectar al dispositivo a través de la goma de sellado.

PASO 6: OPCIONES DE ALIMENTACIÓN

El aparato puede alimentarse con el adaptador de corriente suministrado (opción 1) o a través de PoE (Power over Ethernet) con un cable de red (opción 2). Alternativamente, el aparato también puede ser alimentado con una fuente de alimentación de carril DIN que se puede obtener directamente de nosotros. El dispositivo no utiliza baterías.

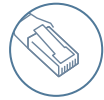


OPCIÓN 1: SUMINISTRO ELÉCTRICO POR FUENTE DE ALIMENTACIÓN

La fuente de alimentación (adaptador de corriente) suministrada con el dispositivo tiene un cable de 250 cm de longitud con dos hilos aislados.



No enchufe todavía la fuente de alimentación en el tomacorriente de pared. Utilice únicamente la fuente de alimentación suministrada junto con el dispositivo, o bien una fuente de alimentación de carril DIN que pueda obtener por separado, ya que ésta ha sido estabilizada eléctricamente y está equipada con un dispositivo de reducción de interferencias de audio integrado. Otras fuentes de alimentación pueden destruir el dispositivo o causar una transmisión de mala calidad. La garantía expira automáticamente si utiliza una fuente de alimentación diferente.



OPCIÓN 2: ALIMENTACIÓN A TRAVÉS DE POE

Para alimentar el videoportero a través de un conmutador PoE (p. ej., D-Link DGS-1008P) o un inyector PoE (p. ej. DoorBird Gigabit Injector-A1091) conforme a la norma PoE IEEE 802.3af Modo A, se deben utilizar los cuatro cables con los números 1, 2, 3 y 6 de un cable Cat. 5 o superior. Debe utilizarse un cable Cat. 5 o superior, ya que las señales de red sólo pueden transmitirse a través de cables completamente aislados, apantallados y trenzados. Si utiliza PoE como fuente de alimentación, la interfaz WiFi del videoportero se desactiva automáticamente y los cuatro cables para PoE forman el enlace de datos simultáneamente. El videoportero no arranca si el interruptor PoE o el inyector PoE no son compatibles con el modo estándar de PoE IEEE 802.3af Mode A (consulte Diagnostic-LED y Sonidos de diagnóstico).



1. Desconecte el interruptor PoE o el inyector PoE de la red eléctrica.
2. Coloque el cable de red en el lugar de instalación del videoportero.

PASO 7: CONEXIÓN DEL DISPOSITIVO

Es posible conectar los cables y alambres al dispositivo de forma cómoda y segura a través de los puertos de conexión etiquetados. Ahora puede conectar todos los cables y alambres necesarios al dispositivo. Retire todos los cables y alambres de los puertos de conexión del dispositivo que no necesite. Retire aproximadamente 5 mm de material aislante en el extremo de los cables que desea conectar al terminal de conexión de tornillo verde del dispositivo.



Por favor tenga cuidado al conectar los cables y los alambres. La conexión incorrecta de los cables puede dañar el dispositivo. Los cables sin material aislante no deben sobresalir del borne de conexión roscada verde, ya que pueden provocar cortocircuito eléctrico y dañar el aparato.

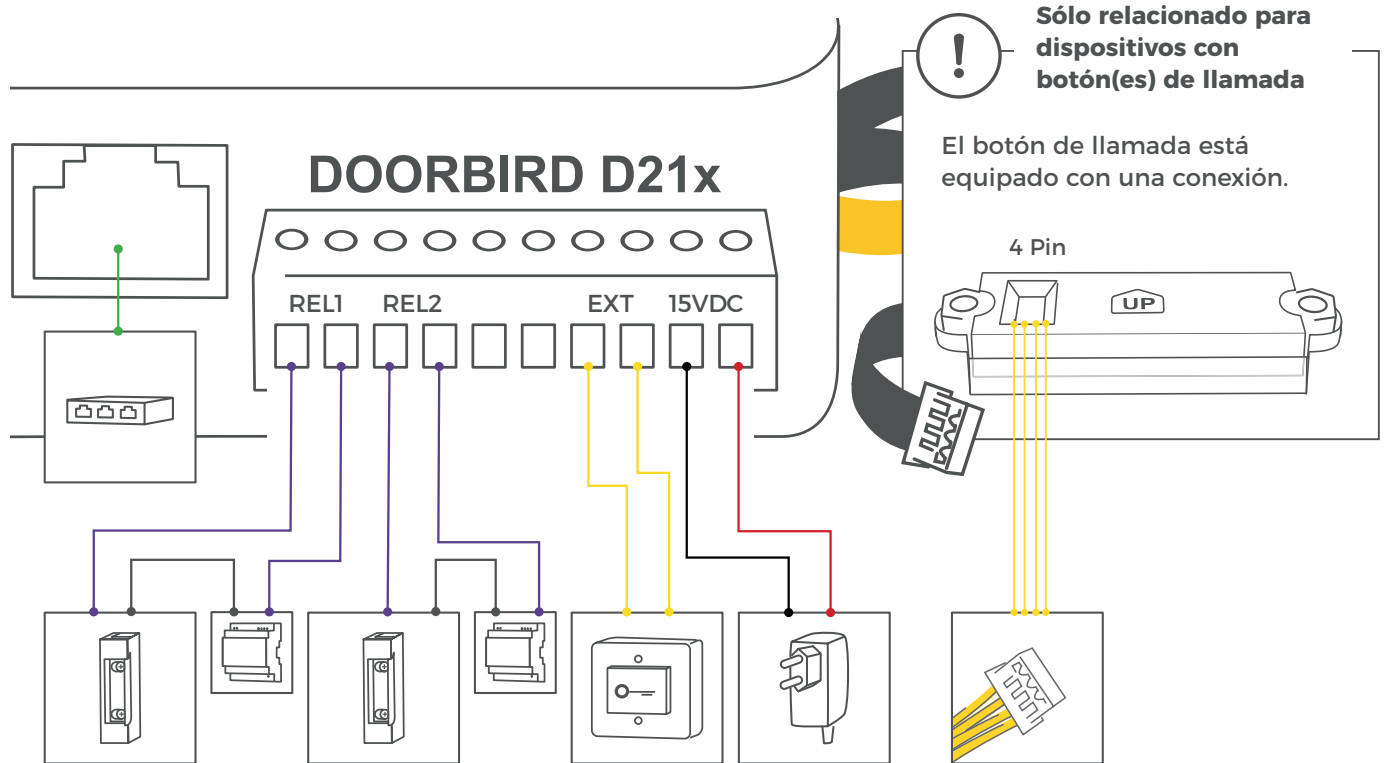
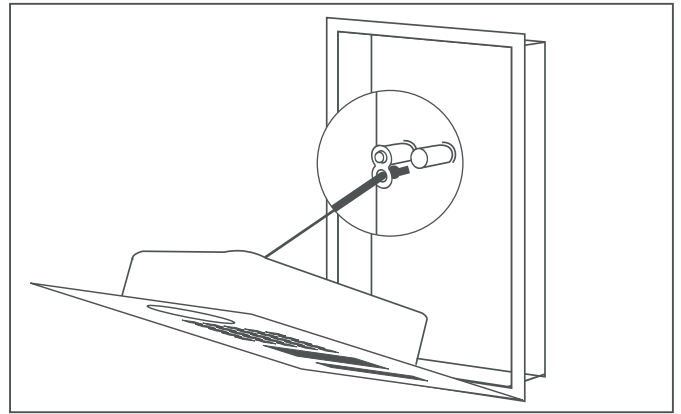


Los cables amarillos, verdes y rojos que salen del lateral de la unidad eléctrica principal sólo deben utilizarse para conectar componentes certificados por Bird Home Automation.



Manipule la placa frontal con cuidado. La superficie de la placa frontal puede rayarse o dañarse si se manipula sin cuidado.

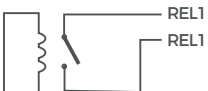
Puede utilizar el cable de nylon para fijar temporalmente la placa frontal a la carcasa de montaje (backbox) mientras conecta los cables y alambres al dispositivo.



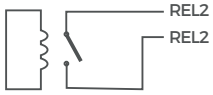
Sólo relacionado para dispositivos con botón(es) de llamada

El botón de llamada está equipado con una conexión.

PUERTO	DESCRIPCIÓN
LAN/POE	<p>Conector RJ45 para conectar un cable de red estándar Cat. 5 o superior, procedente del router de Internet/PoE-Switch/ PoE-Injector.</p> <p>NOTICE No alimentar el dispositivo al mismo tiempo a través de la fuente de alimentación (adaptador de corriente) y alimentación a través de PoE.</p>
REL1, REL1	<p>Relé de enclavamiento biestable #1, max. 24 V DC/AC, 1 Amperio. Función de seguridad: El relé mantiene su estado incluso en caso de pérdida de potencia. Puede configurar el estado predeterminado del relé (abrir/cerrar) a través de la aplicación DoorBird App. Estos puertos se pueden utilizar para conectar, por ejemplo, un abrepuertas eléctrico. El dispositivo no suministra alimentación eléctrica al dispositivo conectado. La fuente de alimentación del abrepuertas eléctrico debe instalarse por separado.</p> <p>i Cuando conecte un abrepuertas eléctrico directamente a una estación de puerta, existe el riesgo de que terceras personas no autorizadas puedan manipular el abrepuertas eléctrico (por ejemplo, rompiendo la estación de puerta y cortocircuitando el cableado del abrepuertas). Por lo tanto, generalmente recomendamos el uso de un relé de seguridad remoto instalado en interiores (por ejemplo, el controlador de puerta DoorBird I/O DoorBird A1081) para el cableado de un abrepuertas eléctrico para una instalación más segura en su hogar.</p>



REL2, REL2

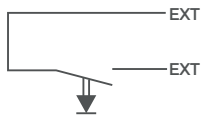


Relé de enclavamiento biestable #2, máx. 24 V DC/AC, 1 Amperio. Función de seguridad: El relé mantiene su estado incluso en caso de pérdida de potencia. Puede configurar el estado predeterminado del relé (abrir/cerrar) a través de la aplicación DoorBird App. Estos puertos se pueden utilizar para conectar, por ejemplo, un abrepuertas eléctrico. El dispositivo no suministra alimentación eléctrica al dispositivo conectado. La fuente de alimentación del abrepuertas eléctrico debe instalarse por separado.



Cuando conecte un abrepuertas eléctrico directamente a una estación de puerta, existe el riesgo de que terceras personas no autorizadas puedan manipular el abrepuertas eléctrico (por ejemplo, rompiendo la estación de puerta y cortocircuitando el cableado del abrepuertas). Por lo tanto, generalmente recomendamos el uso de un relé de seguridad remoto instalado en interiores (por ejemplo, el controlador de puerta DoorBird I/O DoorBird A1081) para el cableado de un abrepuertas eléctrico para una instalación más segura en su hogar.

EXT, EXT



Botón de apertura de puerta, máx. 0 V DC/AC, 0 Amperios. Estos puertos se pueden utilizar para conectar, por ejemplo, un botón del abrepuertas dentro de la vivienda. Accionará el primer relé de enclavamiento biestable del dispositivo (REL1, REL1).



Por favor tenga en cuenta de no dar voltaje en este puerto. Extra voltaje puede destruir este aparato inmediatamente.

15 VDC -

15 V DC Entrada de alimentación, polo negativo (-). Conecte el cable negro de la fuente de alimentación (adaptador de corriente) que se suministra con el aparato aquí, si no alimenta el aparato con PoE.



No alimentar el aparato simultáneamente a través de la fuente de alimentación (adaptador de corriente) y alimentación a través de PoE.

15 VDC +

15 V DC Entrada de alimentación, polo positivo (+). Conecte el cable rojo de la fuente de alimentación (adaptador de corriente) que se suministra con el aparato aquí, si no alimenta el aparato con PoE.



No alimentar el aparato simultáneamente a través de la fuente de alimentación (adaptador de corriente) y alimentación a través de PoE.



Sólo relacionado para dispositivos con botón(es) de llamada:

4 PIN (SWITCH)

Conecte el pulsador al videoportero IP con el cable amarillo.



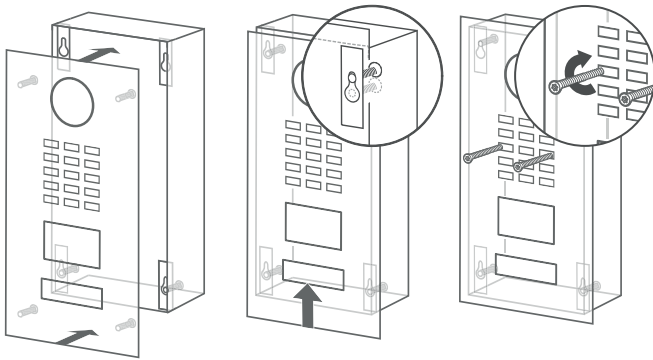
Tenga cuidado al conectar los cables y alambres. La conexión incorrecta de los cables y alambres puede dañar el dispositivo. Los cables sin material de irradiación no deben sobresalir del borne de conexión verde, ya que pueden provocar cortocircuitos eléctricos y dañar el equipo.



Los cables amarillos, verdes y rojos que salen del lateral de la unidad eléctrica principal sólo deben utilizarse para conectar componentes, certificado por Bird Home Automation.

PASO 8: MONTAJE DE LA PLACA FRONTAL

Monte la placa frontal del aparato en la carcasa de montaje empotrado (caja trasera) del dispositivo.



- 1.) Introducir el panel frontal en la carcasa de montaje (caja trasera)
- 2.) Empuje el panel frontal hacia arriba.
- 3.) Inserte los tornillos de seguridad.

PASO 9: ACTIVACIÓN DEL DISPOSITIVO

Vuelva a conectar la alimentación que lleva al lugar de montaje. Si utiliza PoE, asegúrese de encender la alimentación del PoE-Switch o PoE-Injector al que ha conectado el dispositivo.

NOTICE No alimentar el aparato simultáneamente a través de la fuente de alimentación (adaptador de corriente) y alimentación a través de PoE.

Puede ver si el dispositivo se enciende comprobando el LED de diagnóstico, que se ilumina después de unos 30 a 60 segundos después de conectar la alimentación. El dispositivo está listo para funcionar (proceso de arranque, actualizaciones de software, etc.) una vez que haya emitido un breve sonido de diagnóstico desde el altavoz integrado. Esto puede durar hasta 5 minutos. Si el LED de diagnóstico no se ilumina, compruebe la fuente de alimentación. Compruebe también si ha utilizado una fuente de alimentación de pared y no PoE y si ha conectado correctamente el polo positivo y el polo negativo al dispositivo.

PASO 10: DESCARGA E INSTALACIÓN DE LA APLICACIÓN

Descargue la aplicación „DoorBird“ de Bird Home Automation en tu dispositivo móvil desde el Apple App Store o Google Play Store. Siempre puede encontrar la versión más actualizada del manual de la aplicación en www.doorbird.com/support, vaya a DoorBird App „Configuración > Añadir dispositivo“ y haga clic en el icono de código QR en el campo „Usuario“. Escanee el código QR de usuario que se encuentra en el „Pasaporte digital“ suministrado con el dispositivo.

Si tiene problemas para agregar el dispositivo a la

aplicación, compruebe si el dispositivo está conectado (www.doorbird.com/checkonline). Si el dispositivo no está conectado, compruebe la conexión de red y el suministro de corriente del dispositivo.

DIAGNÓSTICO-LED

Puede ver si el dispositivo se enciende comprobando el LED de diagnóstico, que se ilumina después de unos 30 a 60 segundos después de conectar la alimentación.

SONIDOS DE DIAGNÓSTICO

Después de entre uno y cinco minutos, el aparato emite breves sonidos de diagnóstico después de haber sido conectado a la red eléctrica.

SENSOR DE MOVIMIENTO

El dispositivo tiene incorporado un sensor de movimiento con tecnología 4D. Se puede utilizar para numerosas aplicaciones, p. ej. para enviar una alarma a un dispositivo móvil o para encender un relé para encender una luz de exterior.

LECTOR RFID

El lector RFID integrado se puede utilizar para muchas aplicaciones, por ejemplo para abrir/cerrar puertas o armar/desarmar su sistema de alarma. Por razones de seguridad, el lector RFID tiene un rango muy corto (0 - 3 cm, 0 - 1.18 in), por lo que debe colocar la etiqueta RFID compatible (tarjeta, llavero) muy cerca del lector RFID. Puede configurar el lector RFID utilizando la aplicación DoorBird App.



El lector RFID funciona sólo a corta distancia, por razones de seguridad.

API

El dispositivo cuenta con una API bien documentada para la integración con terceros. Para más información, términos y condiciones, véase www.doorbird.com/api

DOORBIRD INTEGRACIÓN

El dispositivo cuenta con muchas opciones para integrarlo en aplicaciones de terceros. Para más información, términos y condiciones, véase www.doorbird.com/connect

CAMBIO DE LA ETIQUETA DE UN BOTÓN DE LLAMADA

Sólo se aplica a dispositivos con 1 y más botones de llamada iluminados con nombre de identificación.

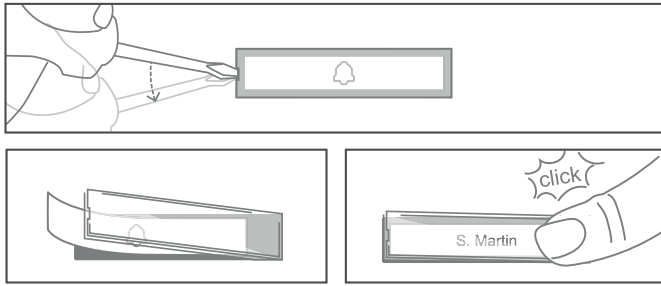


Servicio de Grabado

Servicio de grabado para un acabado moderno y limpio:
www.doorbird.com/engraving



Por favor, siga el PASO 1 para desconectar la alimentación. Recomendamos utilizar un destornillador de ranura fina para quitar la tapa de la placa de identificación. Recomendamos usar papel blanco para la etiqueta que no absorbe la humedad.



CAMBIO DE LA ETIQUETA EN EL MÓDULO DE INFORMACIÓN



Sólo se aplica a los dispositivos con el módulo de información.

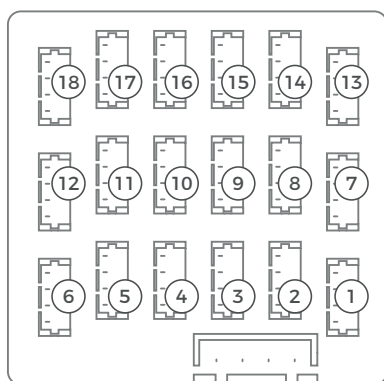
Siga el PASO 1 para desconectar la alimentación y el PASO 2 para abrir el dispositivo. A continuación, puede cambiar la etiqueta del módulo de información en el interior. Recomendamos utilizar papel blanco para la etiqueta que no absorba humedad.

CONEXIÓN DE LOS BOTONES DE LLAMADA AL MÓDULO MULTI FAMILIAR



Aplicable sólo a dispositivos con 2 y más botones de llamada iluminados con placa de identificación.

Conecte sólo los botones de llamada al Módulo Multi Familiar (por ejemplo, el Módulo Multi Familiar MTM18A) certificado por Bird Home Automation.



① = 1. conector del botón de llamada

⑱ = 18. conector del botón de llamada

MANTENIMIENTO DE LOS PRODUCTOS DOORBIRD

Instrucciones de limpieza y mantenimiento

Todos los videoporteros DoorBird están fabricados con materiales de alta calidad y están diseñados para una duradera vida útil. Debido a que los videoporteros se instalan generalmente en áreas al aire libre, están expuestos a condiciones climáticas adversas y a sustancias agresivas, especialmente cerca de carreteras de uso frecuente, en áreas costeras e industriales. Por lo tanto, tenga en cuenta las siguientes instrucciones de cuidado. Desafortunadamente, no podemos aceptar ninguna responsabilidad por daños si no se respetan estas instrucciones.

Mucha suciedad, como los excrementos de pájaros, debe eliminarse lo antes posible.



Nunca use detergentes abrasivos como fibra de acero o leche limpiadora.

Por lo general, basta con agua tibia, si es necesario con un poco de detergente, un paño suave o un cepillo. Las piezas de plástico (cámara o identificadores) no deben tratarse con productos para el cuidado de metales. Elimine todos los residuos de productos de limpieza o lubricantes para evitar manchas o decoloraciones después del mantenimiento.

Acero Inoxidable

Para todos los videoporteros DoorBird sólo se utiliza acero inoxidable alemán de alta calidad. Sin embargo, el acero inoxidable de alta calidad también puede oxidarse, ya que aproximadamente el 70 % del acero inoxidable es de hierro. La resistencia al óxido sólo se consigue mediante una capa protectora (también llamada capa pasiva), que cubre el hierro como una piel. Esta capa protectora consiste esencialmente en cromo y otros metales preciosos.

Las partículas de hierro, el polvo de esmerilado y las virutas depositadas en el acero inoxidable pueden provocar corrosión (película de óxido). Estas partículas de hierro se pueden encontrar en todas partes, pero especialmente en zonas costeras e industriales y cerca de carreteras de uso frecuente. Por favor, elimine inmediatamente los depósitos ferrosos, ya que atacarán a la estación de la puerta y provocarán un verdadero óxido si no se eliminan. Para eliminar el óxido, simplemente limpie el polvo; además, se recomienda un producto para el cuidado, p. ej. WD 40, disponible en Amazon por menos de 5,00 €. Simplemente aplique en una capa fina y frote la placa frontal. Lo mismo se aplica si aparece óxido en los grabados de la superficie de acero inoxidable.

Las salpicaduras de cemento o cal deben eliminarse con cuidado lo antes posible con una espátula de madera antes de endurecerse.

No se deben utilizar los siguientes detergentes de limpieza, ya que reducen la resistencia a la corrosión:

- Productos que contengan cloruro y ácido clorhídrico
- Lejía (en caso de uso accidental, enjuagar con agua)
- Pulidor para plata

Después de la limpieza con agua limpia, limpie con un paño húmedo y frote en seco para evitar manchas o decoloración. Los residuos de cal pueden evitarse utilizando agua desmineralizada.

Acero inoxidable recubierto de PVD

Se recomienda limpiar las superficies recubiertas de PVD, cromadas o doradas con un detergente que disuelva la grasa y agua limpia o con un paño de microfibra limpio y sin polvo. Para superficies de alto brillo, utilice un paño anti-rayas (p. ej. un paño de limpieza para gafas, paño para pulir muebles, etc.).

Superficies lacadas

Limpie las superficies pintadas y las letras con un paño suave y anti-rayas humedecido con un jabón suave (p. ej. un paño de limpieza para gafas, un paño para pulir muebles, etc.). Para evitar manchas o decoloraciones, los detergentes deben limpiar sin dejar residuos. Tenga especial cuidado con las letras de rotulación para no dañar la película o la impresión.

ESPECIFICACIONES TÉCNICAS

INFORMACIÓN GENERAL	
Alimentación eléctrica	15 V DC (max. 15 W) o Power over Ethernet (PoE 802.3af modo-A)
Módulo de información*	3.5", iluminado
Módulo de visualización*	LCD de 3,5" (sin función táctil), iluminado
Módulo del teclado*	16 teclas, iluminadas, configurables vía app, p. ej. <ul style="list-style-type: none"> • Códigos PIN individuales • Eventos individuales (por ejemplo cambiar un relé, notificación HTTP (s), llamada SIP [audio/video], notificación push) • Horarios individuales
Conexiones	<ul style="list-style-type: none"> • RJ45, para LAN/PoE • Relé de enclavamiento biestable n.º 1, máx. 24 V DC/AC, 1 A, p. ej. para abrepuertas eléctricos • Relé de enclavamiento biestable n.º 2, máx. 24 V DC/AC, 1 A, p. ej. para abrepuertas eléctricos • Entrada externa para abrepuertas externos (libre de tensión) • 15 V DC Entrada (+, -), max. 15 W • Los relés se pueden ampliar / asegurar con el DoorBird IP Controlador I/O A1081
Protección climática	Sí, IP65
Homologaciones	IP65, CE, FCC, IC, RoHS, IK08, REACH, IEC/EN 62368, IEC/EN 62471
Condiciones de servicio	-25 à +55°C / -13 à 131°F Humedad relativa del aire de 10 % a 85 % (no se condensa)
Contenido	<ul style="list-style-type: none"> 1x Unidad principal eléctrica 1x Placa frontal* 1x Carcasa de montaje empotrado* 1 x Fuente de alimentación (110 - 240 V AC de 15 V DC) con 4 adaptadores para diferentes países 1 x Llavero Transponder 1 x Atornillador 1 x Piezas pequeñas 1 x Guía rápida con pasaporte digital 1 x Manual de instalación
Garantía	Ver www.doorbird.com/es/warranty

REQUISITOS DEL SISTEMA

Requisitos del sistema	Dispositivo móvil: versión iOS más reciente en iPhone/iPad, versión Android más reciente en smartphone/tablet Internet: conexión a internet por red telefónica fija de banda ancha de alta velocidad, DSL, cable o fibra óptica, sin Socks ni servidores Proxy Red: Red Ethernet, con protocolo de configuración dinámica de host (DHCP)
------------------------	--

Altura de montaje recomendada	El objetivo de la cámara deberá encontrarse a una altura mínima de 145 cm (57 pulgadas). Por favor, compruebe la altura óptima de montaje para su sitio antes de iniciar la instalación.
-------------------------------	--

VIDEO

Cámara	HDTV 720p, dinámica (VGA - HDTV)
Objetivo	Lente gran angular hemisférica 180° (D), 140° (H), 100° (V), rectificadora, modo de visión por infrarrojos
Visión nocturna	Si, sensor de luz, filtro de infrarrojos automático, 12 LED infrarrojos

AUDIO

Componentes de audio	Altavoz y micrófono, disminución de ruido y eco (AEC, ANR)
Transmisión de audio	Bidireccional, dúplex completo

RED

Ethernet	Conector RJ45, PoE 802.3af Modo-A, 10/100 Base-T
Protocolos compatibles	HTTP, HTTPS, SSL/TLS, Bonjour, DNS, RTSP, RTP, TCP, UDP, RTCP, ICMP, DHCP, ARP, SIP, DTMF (RTP [RFC-2833], SIP INFO [RFC-2976]), STM

SENSOR DE MOVIMIENTO

Tipo	Activo
Ángulo de cobertura	54° horizontal, 70° vertical 1 - 10 m (3,3 - 32,9 ft), según entorno, configurable en tramos de 1 m (3,3 pies).
Alcance	Si se conecta un „Módulo de display“ a la unidad eléctrica principal, el alcance está limitado a 1 m (3,3 pies).

*: Sólo disponible en ciertos modelos o configuraciones.

Tecnología	4D. Basado en varios sensores y algoritmos integrados, p. ej. la energía de radiofrecuencia (ERF)
Configuración	A través de app, p. ej. • Campo de aplicación (1 - 10 m / 3,3 - 32,9 ft) • Dirección (acercándose, alejándose, en ambas direcciones al mismo tiempo) • Eventos individuales (p. ej. conectar un relé, notificación automática, llamada SIP [audio/video], notificación HTTP (s)) • Horarios individuales

RFID

Tipo	Sistema „Lector activo de etiquetas pasivas (ARPT: Active Reader Passive Tag (en inglés)
Estándar	ISO/IEC 18000-2:2009 Part 2, EM4100, EM4102
Frecuencia	125 KHz
Alcance	0 - 3 cm, según entorno
Antena	Interna
Llaveros RFID compatibles	Llaveros RFID vendidos por separado en www.doorbird.com/es/buy Hasta 100 llaveros RFID gestionables
Configuración	A través de app, p. ej. • Llavero (agregar, borrar) • Eventos individuales (p. ej. conectar un relé, notificación automática, llamada SIP [audio/video], notificación HTTP (s)) • Horarios individuales

MÓDULOS DE RADIO INTEGRADOS

RFID	125 KHz
Sensor	24 GHz, se puede desactivar

INTEGRACIÓN DE TERCEROS (DOORBIRD INTEGRACIÓN)

Integraciones de nuestros socios	ver www.doorbird.com/es/connect
API	ver www.doorbird.com/es/api
Transmisión simultánea de videos	Uno, para los streams de grabación basados en eventos

ACCESORIOS ADICIONALES

Disponible por separado	Ver www.doorbird.com/es/buy
-------------------------	--

NOTAS LEGALES

Observaciones generales

1. DoorBird es una marca registrada de Bird Home Automation GmbH.
2. Apple, the Apple logo, Mac, Mac OS, Macintosh, iPad, Multi-Touch, iOS, iPhone and iPod touch son marcas registradas de Apple Inc.
3. Google, Android y Google Play son marcas comerciales de Google, Inc.
4. La marca denominativa y los logotipos Bluetooth® son marcas registradas de Bluetooth SIG, Inc.
5. Todos los demás nombres de empresas y productos pueden ser marcas comerciales de las respectivas empresas con que están asociados.
6. Nos reservamos el derecho de hacer cambios en nuestros productos en interés del avance técnico. Los productos mostrados también pueden tener un aspecto diferente a los productos suministrados en base a mejoras continuas.
7. La reproducción o el uso de textos, ilustraciones y fotos de este manual de instrucciones en cualquier medio - aunque sólo sea en forma de extractos - sólo se permite con nuestro consentimiento expreso y por escrito.
8. El diseño de este manual está sujeto a la protección del copyright. No asumimos ninguna responsabilidad por errores o contenidos erróneos o errores de impresión (incluso en el caso de especificaciones técnicas o en gráficos y bocetos técnicos).
9. Nuestros productos cumplen con todas las directrices técnicas, normativas eléctricas y de telecomunicaciones aplicables en Alemania, la UE y los Estados Unidos..

Privacidad y seguridad de los datos

1. Para máxima seguridad, el dispositivo utiliza las mismas tecnologías de cifrado que se utilizan en línea. banca. Para su seguridad, tampoco se utiliza ningún reenvío de puertos o DynDNS.
2. La ubicación del centro de datos para el acceso remoto a través de Internet por medio de una aplicación es obligatoria en la UE si la dirección IP de Internet determinada del dispositivo se encuentra en la UE. El centro de datos funciona de acuerdo con las normas de seguridad más estrictas.
3. El vídeo, el audio y cualquier otro método de vigilancia pueden ser regulados por leyes que varían de un país a otro. Compruebe las leyes de su región local antes de instalar y utilizar este dispositivo con fines de vigilancia.before installing and using this device for surveillance purposes. Si el dispositivo es una puerta, estación interior o cámara fotográfica:
 - En muchos países la señal de vídeo sólo puede ser transmitida una vez que el visitante he tocado la campana (privacidad de los datos, configurable en la aplicación)
 - Realice el montaje de tal manera que el alcance de detección de la cámara limite el alcance de la cámara. Exclusivamente a la zona de entrada inmediata.
 - El dispositivo puede venir con un historial de visitas y sensor de movimiento. Puede activar/desactivar esta función si es necesario.

En caso necesario, indíquese la presencia del dispositivo en un lugar adecuado y de forma adecuada.

Observe las disposiciones legales específicas de cada país sobre el uso de componentes de vigilancia y cámaras de vigilancia aplicables en el lugar de instalación.

Por favor verifique que el propietario y la comunita de viviendas estén de acuerdo de instalar y usar este producto. Bird Home Automation GmbH no se hace responsable por cualquier uso inapropiado a este producto, incluyendo la apertura no autorizada de una puerta.

Las actualizaciones del software o del sistema operativo (las llamadas „actualizaciones de firmware“) normalmente se instalan automáticamente en los productos de Bird Home Automation GmbH a través de Internet, si es técnicamente posible. Las actualizaciones automáticas de firmware mantienen actualizado el software de los productos para que siempre funcionen de forma fiable, segura y eficiente. Mediante un desarrollo continuo, las funciones pueden añadirse, ampliarse o modificarse ligeramente. Normalmente, sólo se producirán cambios o limitaciones importantes en las funciones existentes si Bird Home Automation GmbH lo considera necesario (por ejemplo, por razones de protección de datos, seguridad, estabilidad de datos o para mantenerlos actualizados). Cuando se dispone de una actualización del firmware, los servidores de Bird Home Automation

GmbH normalmente lo distribuyen automáticamente a todos los productos compatibles conectados a Internet o a los servidores de Bird Home Automation GmbH. Este proceso es gradual y puede durar varias semanas. Tan pronto como un producto recibe una actualización de firmware, se instala y se reinicia el sistema. Las actualizaciones del firmware instalado no se pueden desinstalar. Dado que los productos y el software de Bird Home Automation GmbH no son explícitamente productos específicos del cliente, un cliente no puede negar una actualización automática si el producto está conectado a Internet o al servidor de Bird Home Automation GmbH.

Instrucciones para la eliminación de residuos

No deseche el aparato con la basura doméstica normal. Los aparatos electrónicos deben eliminarse siguiendo las instrucciones de la directiva sobre residuos de aparatos eléctricos y electrónicos.

Editoriales

Bird Home Automation GmbH
Uhlandstraße 165
10719 Berlin
Deutschland
Web: www.doorbird.com
Email: hello@doorbird.com

