

RADIATOR THERMOSTAT

THE MOST INTELLIGENT THERMOSTAT. EVER.*



*Available for purchase in October!

 **FIBARO**[®]
HOME INTELLIGENCE

SPECTACULAR ARRAY OF POSSIBILITIES

FIBARO decentralizes the heating process! Instead of a single controlling device, it offers intelligent thermostatic heads cooperating with one another, which you can install in any number of radiators. No other controller offers such level of heating comfort and such an array of possibilities.

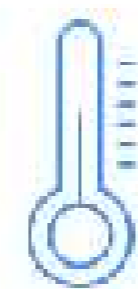


FIBARO Thermostatic Head is an intelligent thermostatic head, which controls the temperature in the room, using the in-built or external sensor and regulating the heat level automatically, according to your individual preferences.

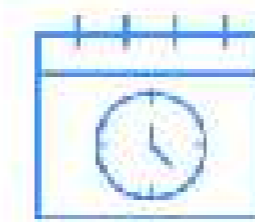
FIBARO Temperature sensor is an external, wireless temperature sensor. By placing it anywhere you like, you will ensure the perfect temperature where you are. It can serve as a point of reference for up to three thermostatic heads at once.



managing
the radiator



measuring
the temperature



heating
schedules



adaptive
operation mode

PERFECT IN EVERY DETAIL

The most advanced technology and its perfect design make the device a unique whole, able to transform your home. Managing the temperature has never been as precise and simple before.



INNOVATIVE, COLOUR-CODED CONTROL

The LED illuminating ring lights up once you place your hand near it, to show the colour corresponding to the current temperature. Thanks to that, you will be able to evaluate the situation immediately and intuitively set the perfect temperature.



INDIVIDUAL SCHEDULES

Use the schedules, tailored to the nature of particular rooms. Ensure maximum comfort by having the temperature perfectly adapted to a given room, time of day and your habits.



21°C

THE CHILDREN'S ROOM

Make sure the conditions are always perfect in this most important room in the entire house. Provide your child with a safe and stable daytime temperature and lower it automatically for a healthy night's sleep.



22°C

THE BATHROOM

Ensure excellent thermal comfort when taking a bath, heated towels and a nice warm atmosphere. And when the bathroom is not used, lower the temperature automatically.



18,5°C

THE BEDROOM

Create the perfect conditions for your bedroom and see how important healthy sleep is, when the temperature is lowered appropriately. Sleep well in the pleasant, gently cool air and enjoy the additional warmth when you get up in the morning. It will also help you save money on your bills!

SAVING ENERGY AND MONEY

The advanced algorithms used in the FIBARO thermostatic heads and their schedules will help you achieve actual heat savings. Trust the new technology and take care of the environment and your family budget.

Costs reduction* of up to

42%

* based on research by Fibar Group SA



PRECISE TEMPERATURE MEASUREMENT

The head may use an external or an in-built temperature sensor*. You can decide for yourself, where the measurement will be done. This way, you can avoid overheating or underheating. Because the temperature should be perfect where you are!

THE TEMPERATURE SENSOR

21°C

* The FIBARO Temperature Sensor can be purchased as part of the head's set or separately.

IN PERFECT HARMONY WITH YOUR DAILY RHYTHM

AT NIGHT

Time to sleep. The thermostatic head will make sure the temperature is slightly lowered so that you sleep healthy and will reduce the heating in the unused rooms.

21,0°C
6:30 - 7:45

IN THE MORNING

Time to wake up! The bedroom is ready for you to leave your warm bed. The thermostatic heads ensure optimum comfort during your morning toilet and when you're preparing to leave.

AT WORK AND AT SCHOOL

When you're not home, the devices maintain the optimum temperature for maximum savings without cooling the apartment too much.

IN THE EVENING

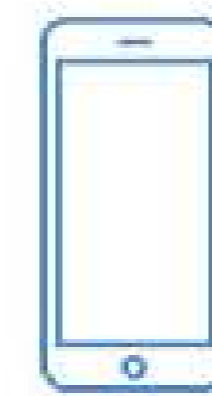
Everybody home? The FIBARO system will set the optimum heating parameters for the rooms, taking into consideration the nature of the rooms and the number of people in them.

CHANGING THE TEMPERATURE



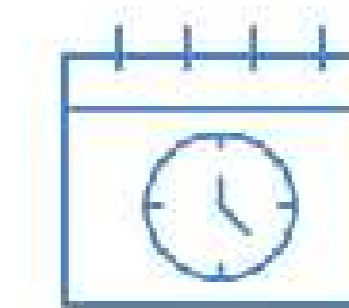
CHANGING THE TEMPERATURE MANUALLY

You can adjust the temperature in a traditional way. Turn the knob to indicate the temperature level you expect. The thermostatic head will consider the nature and the cubic volume of the room to reach the perfect temperature without excessive fluctuation.



CHANGING THE TEMPERATURE REMOTELY

Enjoy the convenience of controlling the heating using the mobile app. Control the heating from anywhere in the world. Thanks to the thermostatic head, your smartphone and the FIBARO app, you can adjust the temperature with the accuracy of up to 0.5 degrees Celsius.



CLEVERLY PROGRAMMED TEMPERATURE

With FIBARO you can easily set the schedules tailored to your lifestyle. You can also interrupt the programmed settings - your manual change will be maintained for a period of time set by you and then the temperature will return to the previous settings.

AUTOMATIC REACTION TO OPEN WINDOWS

Let the fresh air in without wasting the heat.
The thermostatic head senses sudden temperature drops.
In such cases, it can turn the heating off automatically,
thanks to which the aeration is efficient and does not
generate unnecessary costs.

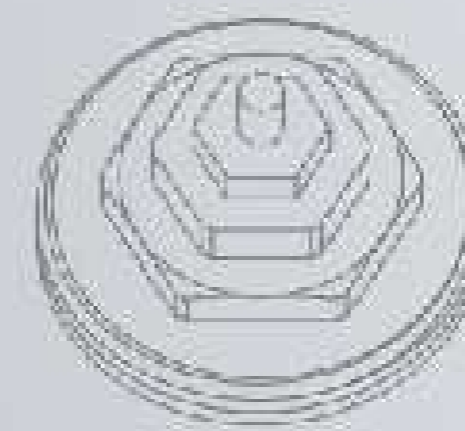
WINDOW IS OPEN!
TURN THE HEATING OFF
FOR 30 MINUTES

WORKS WITH 98% OF RADIATOR TYPES

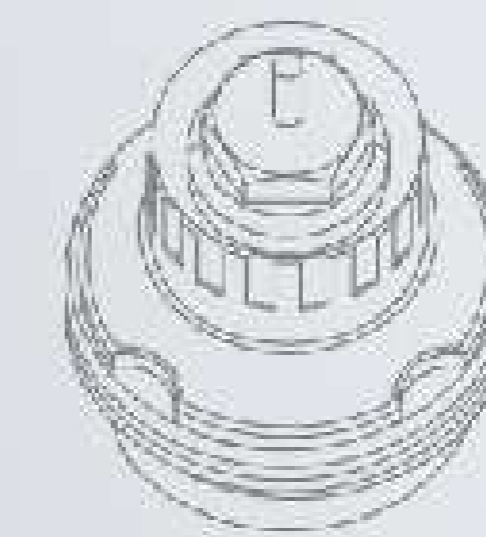
The head works with the most popular types of radiator valves. Thanks to the special adapters that come within the set, it can be mounted on 98% of radiators available on the market.



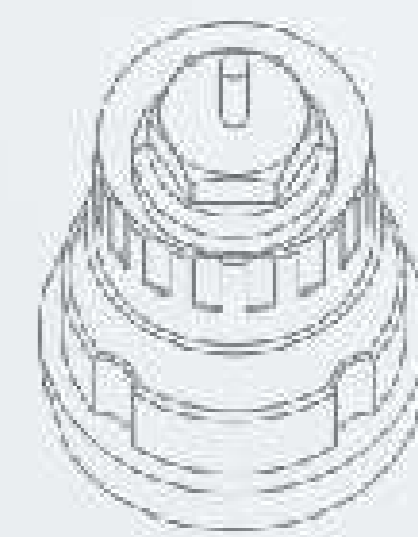
Fits most radiators



M30 x 1,5



RTD-N

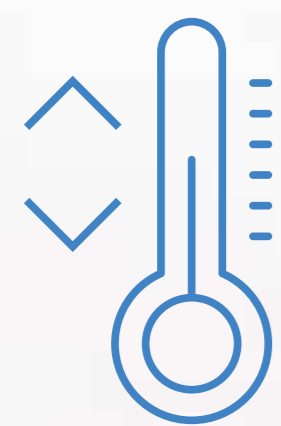


RA-N

MOBILE AND INTUITIVE

In the FIBARO system, in addition to the configuration interface holding all the advanced parameters, the devices are managed using mobile apps, which offer quick and simple configuration, are easy to use and show the information key to you in a clear manner.

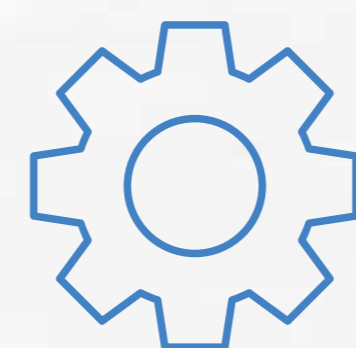
Control the temperature in your house from your smartphone or a tablet



QUICK
INFORMATION



HISTORY
OF HEATING



EASY
SETUP



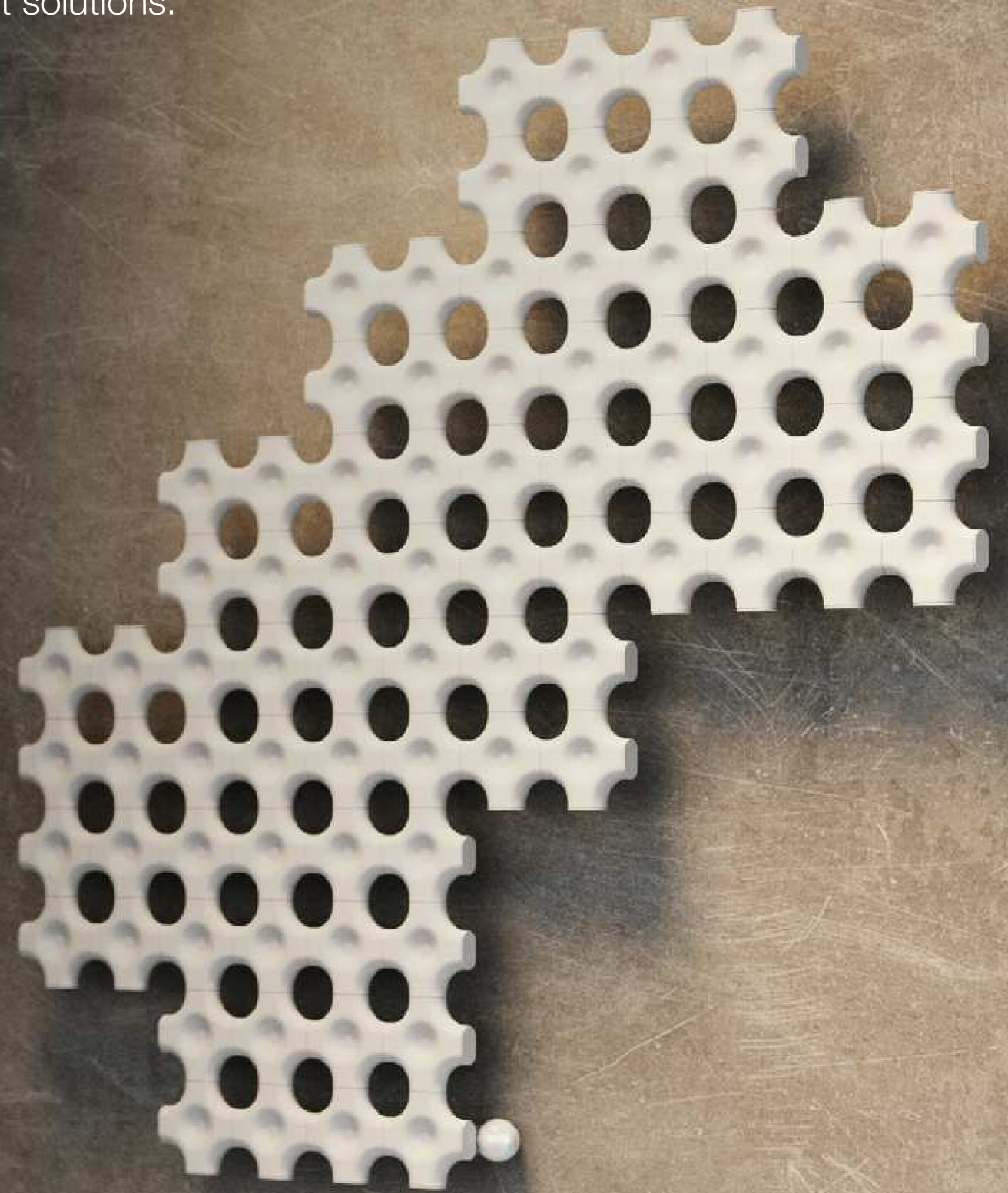
REACTS ON CUE

If you do not feel like getting up from the sofa or even reaching for your phone, you can control the temperature using voice commands. This convenient feature is available within the FIBARO system through different voice interfaces.

"Set the temperature in the living room at 22°C"

FITS YOUR STYLE

The FIBARO Radiator Thermostat will control practically every radiator possible. You can use the device with any type and design of the radiator, whenever there is a possibility to install it. From traditional radiators to modern, elegant solutions.



REACTS TO YOUR NEEDS IMMEDIATELY

Contrary to other wireless solutions available on the market, the FIBARO thermostatic head will react immediately when you change its settings – also if you do it using the mobile app. Our aim is to ensure your maximum comfort right when you need it.



COOPERATION FOR BETTER RESULTS

Mount the head on each radiator in the room, configure it with the temperature sensor placed wherever you choose to. The radiators will therefore create a real ecosystem, cooperating with one another to provide you with maximum comfort and savings.



INNOVATIVE APPROACH TO SUPPLYING POWER

The FIBARO Thermostatic Heads possess their own batteries charged using a USB port. Once charged, they will work throughout the entire heating season.* And in case the battery is low, the device will remind you to charge it.

* depending on the settings



SECURES YOU AGAINST COLD

Depending on your preferences, the FIBARO heads may turn the heating off when the room is being aerated or do the opposite - keep the temperature constant even when the windows are open.

Because we know that there are rooms, where the thermal comfort is more important than potential savings. Use the FIBARO devices exactly how you need them.

WHEREVER YOU ARE

Working with schedules frees your mind, because you do not have to think about the radiators and at the same time gives you incomparable thermal comfort. But sometimes, for example when it's especially cold outside, you may want to warm yourself up, when you come back home. Then you can set a higher temperature remotely, even before you return home. All this using the FIBARO app from wherever you are in the world.





EASY SETUP

Setting up the FIBARO Radiator Thermostat does not require specialized tools and takes less than a minute. The mobile app leads you through the basic configuration and advanced options are available from the FIBARO system configuration panel. You can mount the device yourself or ask a professional installer from the FIBARO partner network for help.

HOLIDAY MODE

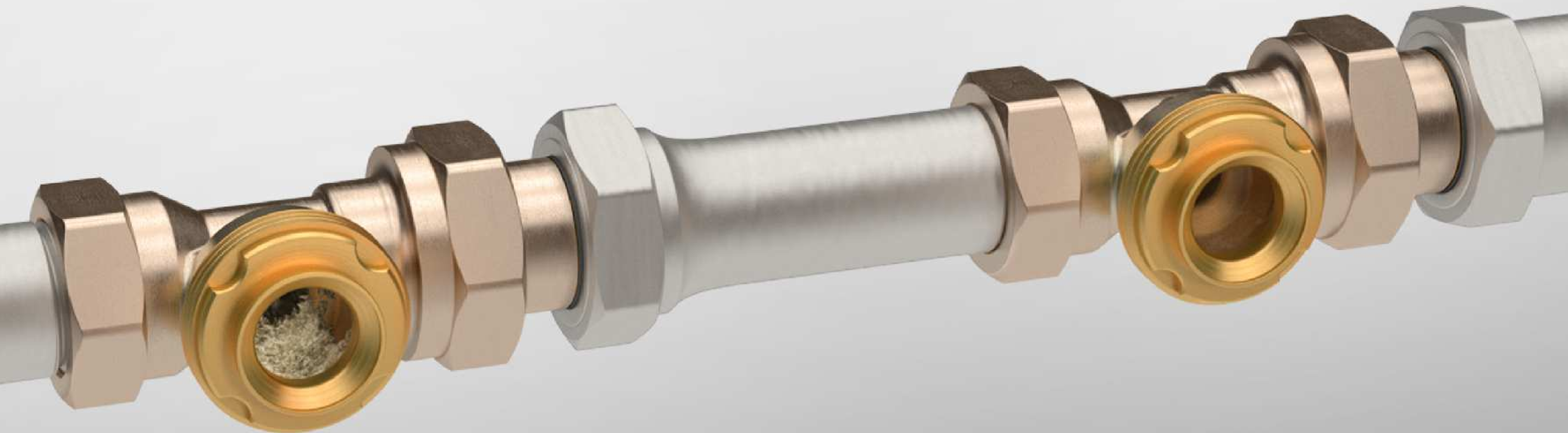
When you leave home for a couple days, you can easily turn on the “holiday mode” and stop worrying about the conditions in your house and the costs connected with them. Using the app, you can turn the special mode for holidays and longer trips away with just one tap. You can do it when leaving the house or from wherever you are.



AUTOMATIC DESCALING

The FIBARO Thermostatic Head will not let dirt settle down in the valve, which could influence the quality and efficiency of its operation. The advanced technology used makes the device turn on the descaling mode on regular basis, which prevents scale from clogging the installation.

Therefore, you do not have to worry about the condition of the valves in your house.



CHILD SECURITY LOCK

If the thermostatic head is located in the children's bedroom or where a child can see it, you can secure it against changing the settings accidentally. Turn on the "local protection" mode, which disables manual control and watch your little explorers play with a smile on your face.



ROOMS WITH NO SECRETS

The head learns the characteristics of a room – it calculates its cubic volume and the time needed to heat it. It can also react to people's presence or an open window. All this in order to ensure stable temperature and perfect comfort while the savings remain unparalleled. Enjoy the convenience of intelligently managed heating.

COMFORT - NO MATTER THE WEATHER

Perfectly adjusted heating must keep you comfortable no matter what the weather is like. The FIBARO Thermostatic Head will ensure the perfect temperature irrespective of the external weather conditions, but also unpredictable and sudden temperature changes. The head will also make sure the temperature in the room never drops below 10 °C.



AUTOMATIC CALIBRATION

The FIBARO Thermostatic Head is not only easy to mount but also able to calibrate itself and check whether it is connected properly. Thanks to that, you can be sure that the installation process ran smoothly and the device itself will always work just fine.



THE HEAD IN THE GUEST ROOM.

The calibration process ran smoothly.



OPERATION CONTROL

It's not only schedules and intelligent heating management in particular rooms that ensures your comfort and savings. FIBARO will control the operation of your heating system. Based on characteristic symptoms, the head will be able to diagnose whether the heater works correctly. * You will be immediately notified in case a failure is possible and you will be able to decide how to proceed.



THERMOSTATIC HEAD

Check if the heating system works correctly!

* available soon

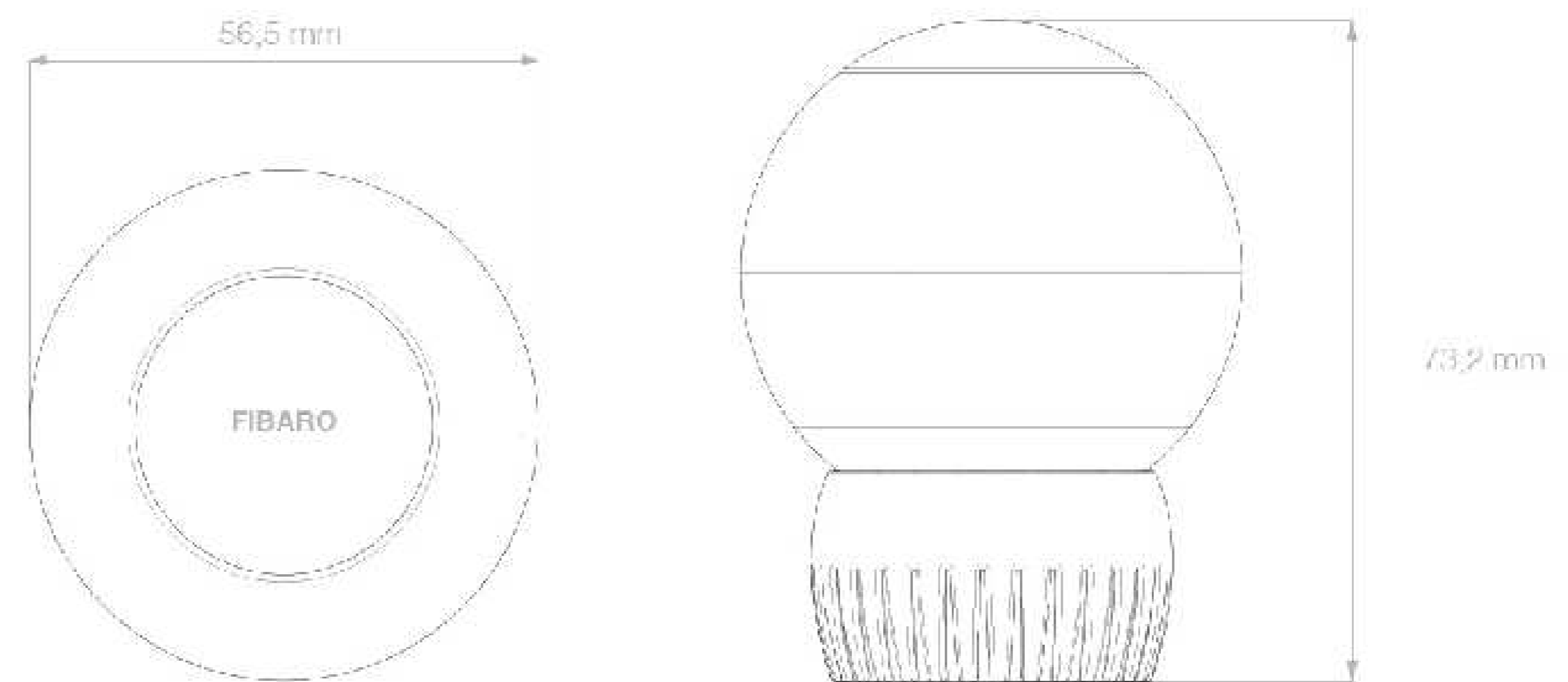


INCREDIBLY ERGONOMIC DESIGN

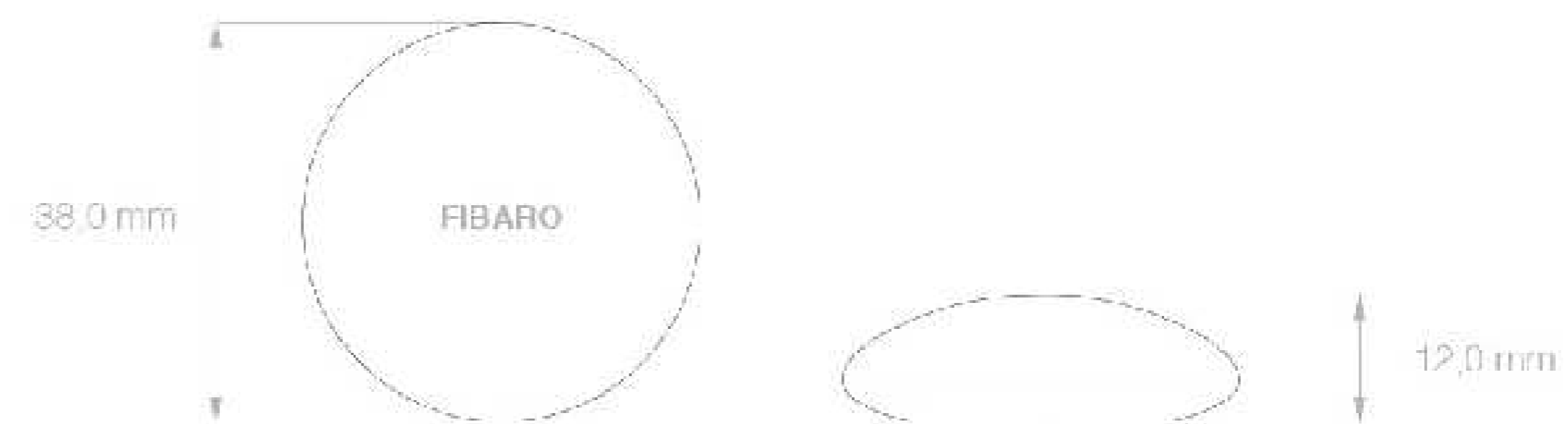
Small size and highest quality design make it easy to use and enjoy its beauty. The FIBARO Thermostatic Head looks incredible and fits in your hand perfectly when you want to change the temperature. And the tiny pastille, which is the FIBARO Temperature Sensor can be easily and safely place wherever you want in the room.



FIBARO Thermostatic Head



FIBARO Temperature Sensor



FIBARO RADIATOR THERMOSTAT



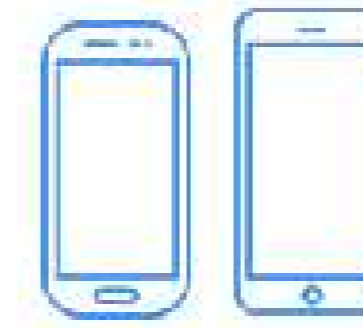
Wireless Z-Wave communication



Complex scene sequences available



Smart notifications



Operation through an Android and iOS apps



Wide operating range



In-built rechargeable battery





Thank you!

www.fibaro.com